




# Assembly Instructions





## CHVIESW BUFFET - VIENNA MERLOT

Thank you for purchasing this quality product. Be sure to check all packing materials carefully for small parts, which may have come loose inside the carton during shipment. Identify and count all parts and compare with the **HARDWARE LIST** below.

Caution: Please read instructions thoroughly before unpacking assembly parts.

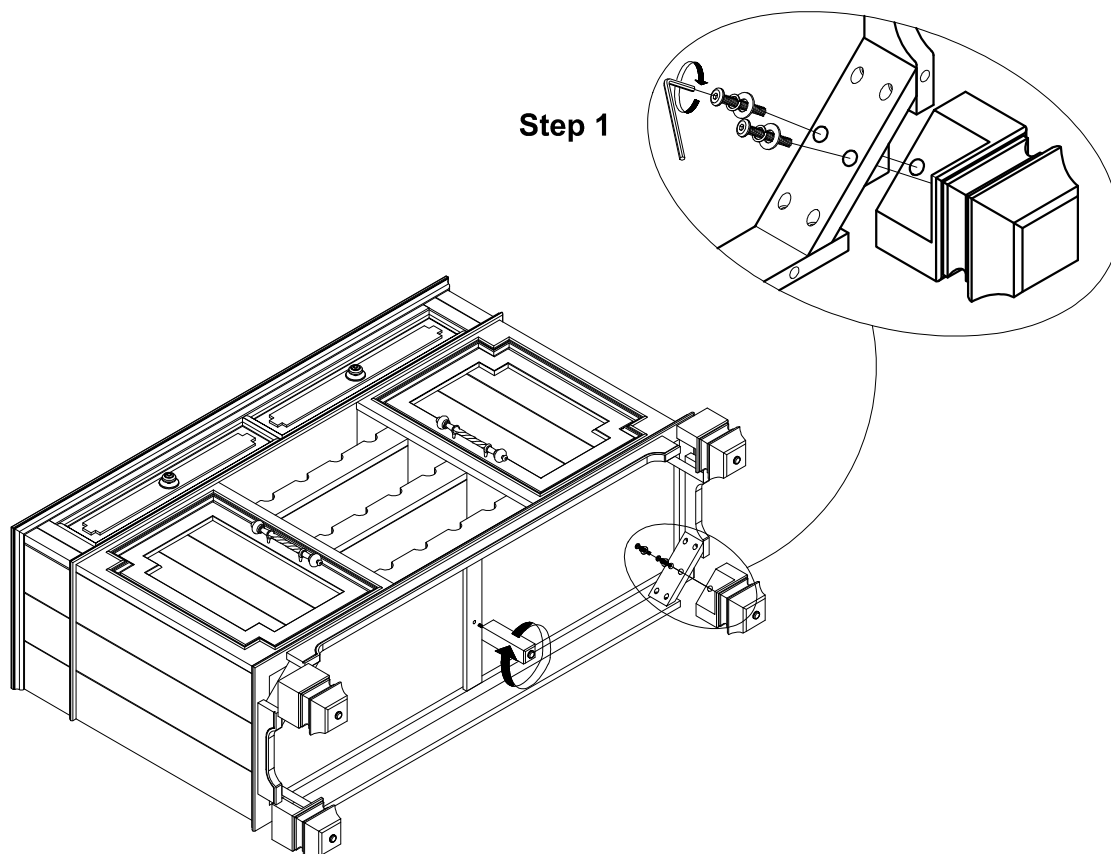
1. We recommend that you assemble this product with the assistance of another person; this will make assembly easier, and will help to eliminate damage to the product or injury to persons during assembly.
2. Please do not over tighten screws or bolts until the assembly is completed.
3. Please put all parts on a non-abrasive floor before assembly, and follow the assembly steps to assemble your newly purchased product correctly and efficiently.

NO.		Parts List	Q' TY
A		Cabinet	1
B		Feets	4
C		Center Support leg	1

NO.		Hardware List	Q' TY
1		Φ 5/16" * 18*2"L Allen Bolt	8
		Φ 5/16" * Φ 13mm Spring washer	8
		Φ 5/16" * Φ 22mm * 2mm T Flat washer	8
		Allen wrench (4mm)	1
2		Allen key (4mm)	1
			Furniture tipping restraint

TOOLS REQUIRED (NOT PROVIDED)

PHILLIPS SCREWDRIVER 



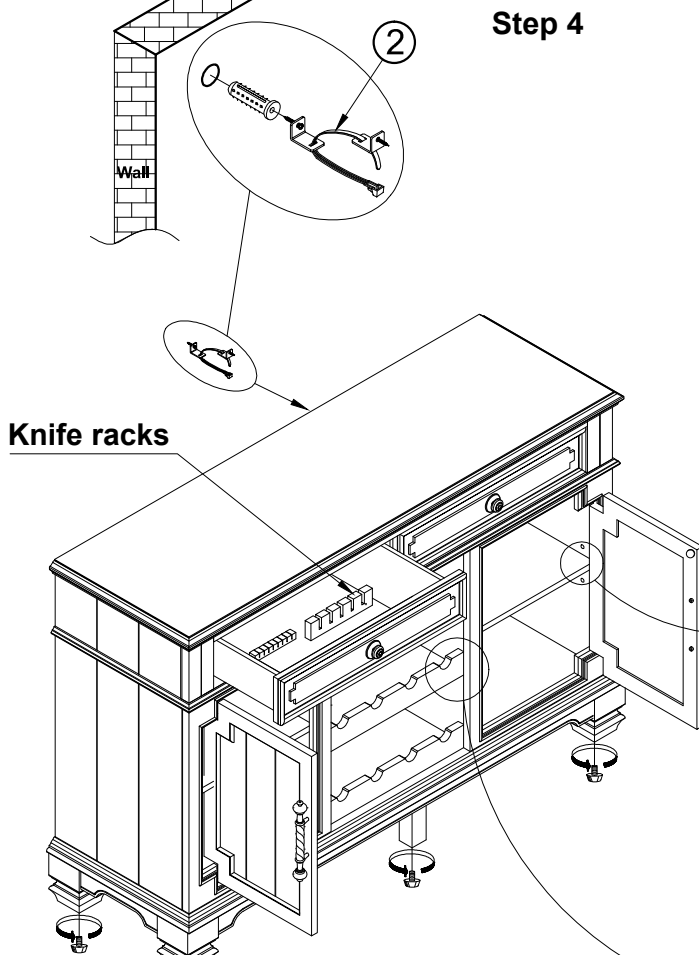
MADE IN VIET NAM

# Assembly Instructions

CRVIESW  
BUFFET - VIENNA MERLOT

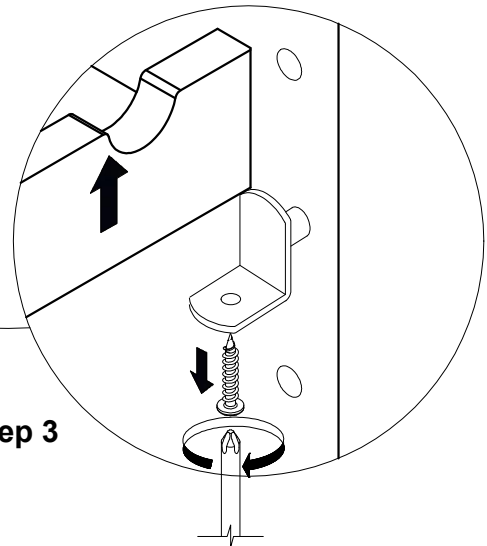
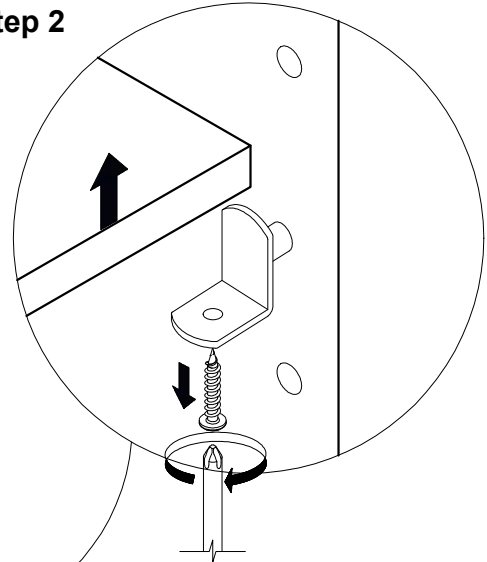
**Remark: Tipping hardware  
attached to the back stretcher**

**Remove all screws before  
readjust the shelf height.**



**Step 4**

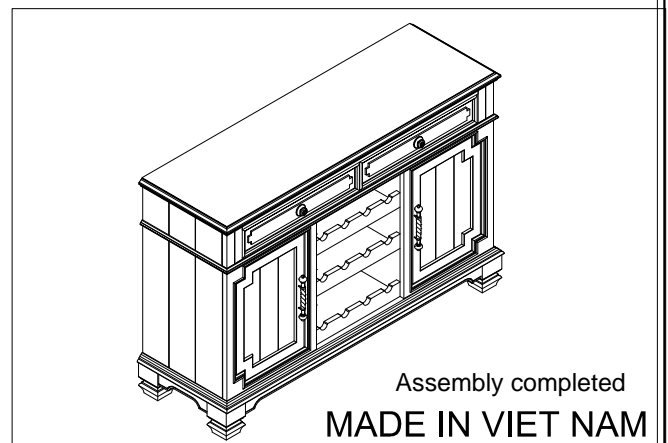
**Step 2**



**Knife racks**

**Leveler 5pcs**  
Adjust the levelers until they  
are balanced and touching the floor.

**Step 3**



Assembly completed  
**MADE IN VIET NAM**