

Assembly Instructions

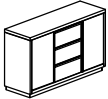
CHBIJS SERVER-GAVIN BROWNSTONE


CHBIJSL SERVER-GAVIN GRAYSTONE

Thank you for purchasing this quality product. Be sure to check all packing material carefully for small parts, which may have come loose inside the carton during shipment. Identify and count all parts and compare with the **HARDWARE LIST** below.

Caution: Please read instructions thoroughly before unpacking assembly parts.

1. We recommend that you should assemble this product with the assistance of another person; this will make assembly easier, and will help to eliminate damage to the product or injury to persons during assembly.
2. Please do not over tighten screws or bolts until the assembly is completed.
3. Please put all parts on a non - abrasive floor before assembly, and follow the assembly steps to assemble your newly purchased product correctly and efficiently.

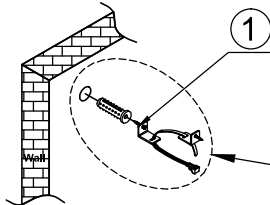
NO.	PARTS LIST		Q'TY
A		Server	1

NO.	HARDWARE LIST		Q'TY
1		Furniture tipping restraint	1

TOOLS REQUIRED (NOT PROVIDED)

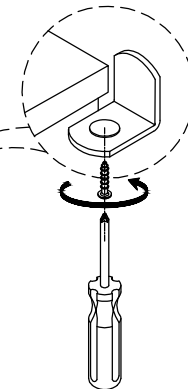
PHILLIPS SCREWDRIVER 

STEP 1

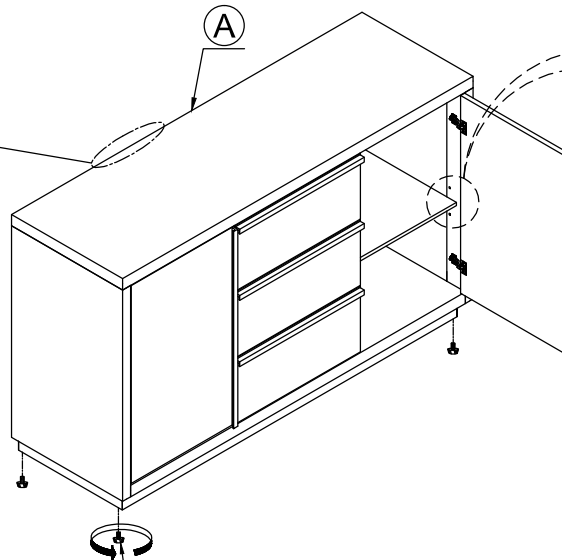


Remark:
Tipping hardware attached to the back stretcher.

STEP 2

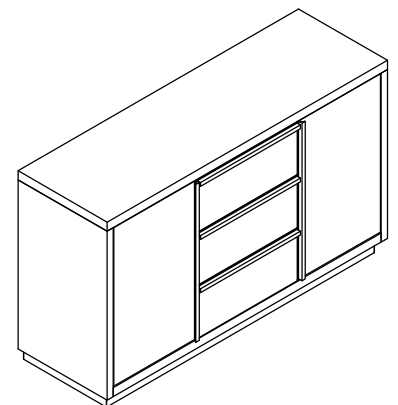


Remove all screws before readjust the shelf height.



Leveler 4pcs

□ □ □ s □ □ e levelers □ □ □ □ e □
□ re □ □ □ □ ce □ □ □ □ □ c □ □ □ □ e □ □ □ r □



Assembly completed
Made in VietNam