

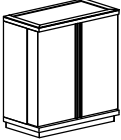

Assembly Instructions


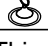
CHBIJB BAR-GAVIN BROWNSTONE
CHBIJBL BAR-GAVIN GRAYSTONE

Thank you for purchasing this quality product. Be sure to check all packing material carefully for small parts, which may have come loose inside the carton during shipment. Identify and count all parts and compare with the **HARDWARE LIST** below.

Caution: Please read instructions thoroughly before unpacking assembly parts.

1. We recommend that you should assemble this product with the assistance of another person; this will make assembly easier, and will help to eliminate damage to the product or injury to persons during assembly.
2. Please do not over tighten screws or bolts until the assembly is completed.
3. Please put all parts on a non - abrasive floor before assembly, and follow the assembly steps to assemble your newly purchased product correctly and efficiently.

NO.	PARTS LIST		Q'TY
A		Bar	1
B		Glass Top	1

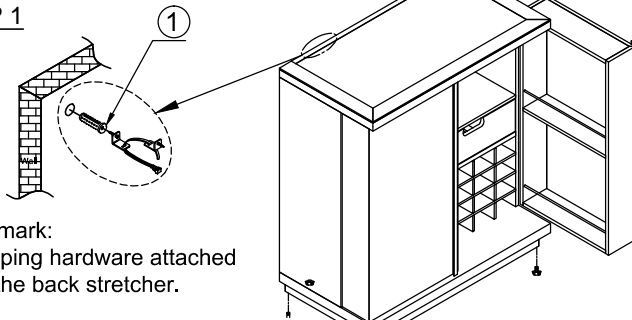
NO.	HARDWARE LIST		Q'TY
1		Furniture tipping restraint	1
2		Suction cup	1

Noted: This suction cup use only for removable glass top

TOOLS REQUIRED (NOT PROVIDED)

PHILLIPS SCREWDRIVER 

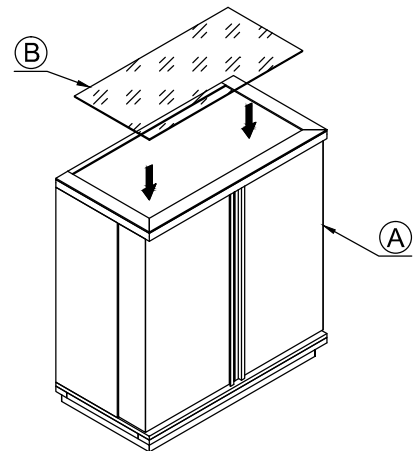
STEP 1



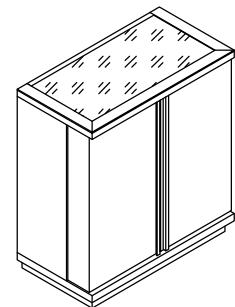
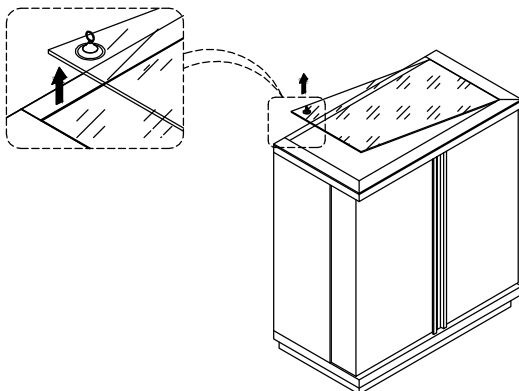
Remark:
Tipping hardware attached to the back stretcher.

Leveler 4pcs

Adjust the levelers until they are balanced and touching the floor.



STEP 2



Assembly completed
Made in VietNam