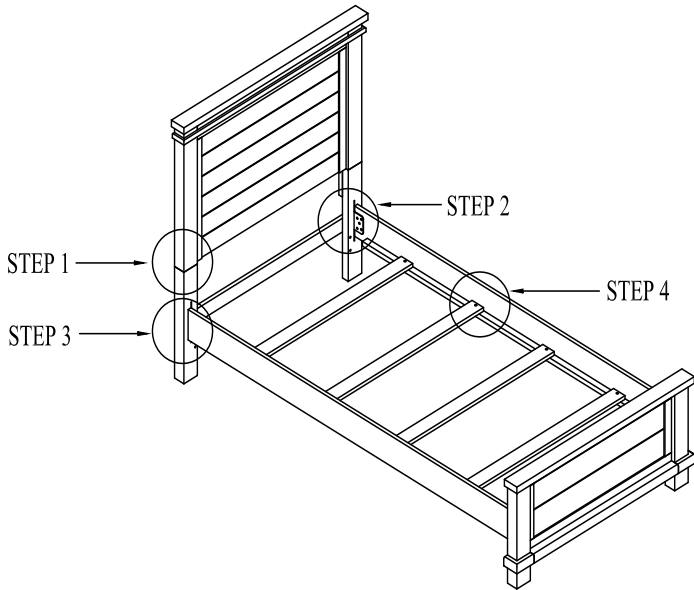
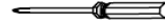


# ASSEMBLY INSTRUCTIONS

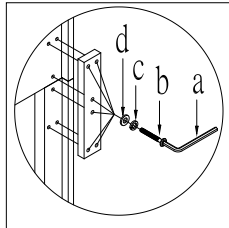
ITEM NO.: 3650&3651-17H/17F/17R  
 TW PANEL HB W/PANEL FOOTBOARD & RAILS -  
 TRIBECA YTH

Thank you for purchasing this quality product. Be sure to check all packing material carefully for small parts that may have come loose inside the carton during shipment.

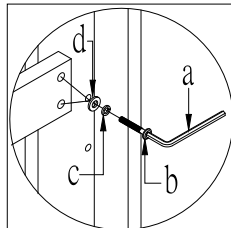
TOOLS REQUIRED (NOT PROVIDED):  
 PHILLIPS SCREWDRIVER



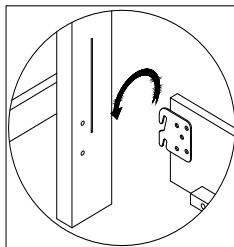
PARTS LIST			
NO.	DESC	SKETCH	Q'TY
A	HEADBOARD		1 PC
B	FOOTBOARD		1 PC
C	BED SIDE RAILS		2 PCS
D	CROSS BAR		1 PC
E	BED SLATS		4 PCS
F	HEADBOARD POST (L + R)		2 PCS
G	CONNECT PANEL		2 PCS



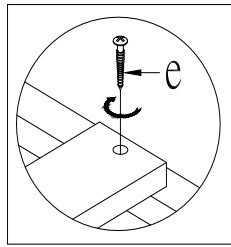
STEP 1



STEP 2



STEP 3



STEP 4

STEP 1: ATTACH CONNECT PANEL (G) TO HEADBOARD POST (F) AND HEADBOARD (A) BY USING ALLEN KEY (a), BOLT (b), SPRING WASHER (c) AND FLAT WASHER (d).  
 STEP 2: ATTACH CROSS BAR (D) TO THE HEADBOARD POST (F) BY USING ALLEN KEY (a), BOLT (b), SPRING WASHER (c) AND FLAT WASHER (d).  
 STEP 3: HANG SIDE RAILS (C) TO THE HEADBOARD POST (F) AND FOOTBOARD (B).  
 STEP 4: ATTACH SLATS (E) TO SIDE RAILS (C) BY USING SCREW (e).

**IMPORTANT NOTE:**

- HARDWARE BAG FOR HEADBOARD IS PACKED WITH HEADBOARD.
- HARDWARE BAG FOR FOOTBOARD AND SLATS IS PACKED WITH FOOTBOARD.

Made In Vietnam

HARDWARE LIST FOR HEADBOARD				
NO.	DESCRIPTION	SKETCH	SIZE	Q'TY
a	Allen Key		4 x 74 x 29mm	1 PC
b	Bolt		1/4" x 15 x 38mm	16 PCS
c	Spring Washer		1/4" x 11 x 2mm T	16 PCS
d	Flat Washer		1/4" x 18 x 2mm T	16 PCS
f	STRAIGHT ALLEN KEY		4*100mm	1 PC

HARDWARE LIST FOR FOOTBOARD AND SLATS				
NO.	DESCRIPTION	SKETCH	SIZE	Q'TY
e	Screw		#8 x 30mm	8 PCS