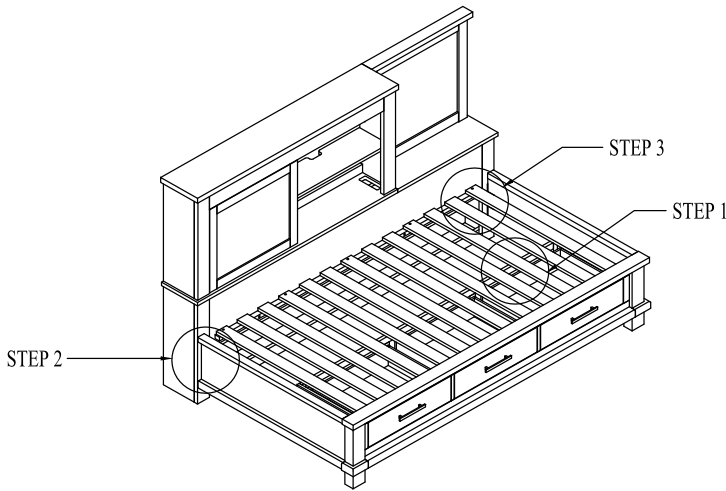


ASSEMBLY INSTRUCTIONS

ITEM NO.: 3650&3651-37&38
 TW LOUNGE BED- TRIBECA YTH

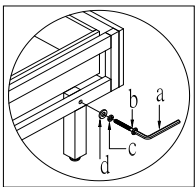
Thank you for purchasing this quality product. Be sure to check all packing material carefully for small parts that may have come loose inside the carton during shipment.

TOOLS REQUIRED (NOT PROVIDED):
 PHILLIPS SCREWDRIVER

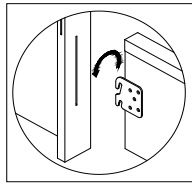


| PARTS LIST | | | |
|------------|-------------------|--------|-------|
| NO. | DESC | SKETCH | Q'TY |
| A | HEADBOARD | | 1 PC |
| B | STORAGE FOOTBOARD | | 1 PC |
| C | SIDE RAILS | | 2 PCS |
| D | SLAT ROLL | | 1 PC |
| E | SUPPORT LEG | | 3 PCS |

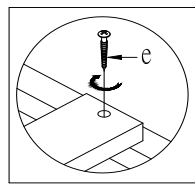
| HARDWARE LIST FOR FOOTBOARD | | | | |
|-----------------------------|--------------------|--------|---------------------|--------|
| NO. | DESCRIPTION | SKETCH | SIZE | Q'TY |
| a | Allen Key | | 4 x 74 x 29mm | 1 PC |
| b | Bolt | | ϕ1/4" x 15 x 38mm | 3 PCS |
| c | Spring Washer | | ϕ1/4" x ϕ11 x 2mm T | 3 PCS |
| d | Flat Washer | | ϕ1/4" x ϕ18 x 2mm T | 3 PCS |
| e | Screw | | #8*30mm | 10 PCS |
| g | STRAIGHT ALLEN KEY | | 4*100mm | 1 PC |



STEP 1



STEP 2



STEP 3

STEP 1: ATTACH SUPPORT LEGS (E) TO THE STORAGE FOOTBOARD (B) BY USING ALLEN KEY (a), BOLT (b), SPRING WASHER (c), FLAT WASHER (d).
 STEP 2: HANG SIDE RAILS (C) TO THE HEADBOARD (A) AND STORAGE FOOTBOARD (B).
 STEP 3: ATTACH SLATS ROLL (D) TO SIDE RAILS (C) BY USING SCREW (e).

IMPORTANT NOTE:

- HARDWARE BAG FOR HEADBOARD IS PACKED WITH HEADBOARD.
- HARDWARE BAG FOR FOOTBOARD AND SLATS IS PACKED WITH FOOTBOARD.

Made In Vietnam