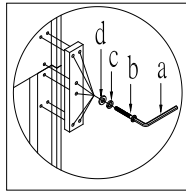
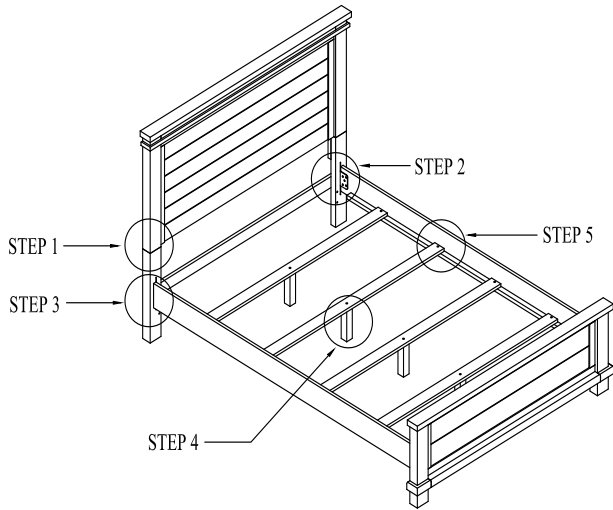


ASSEMBLY INSTRUCTIONS

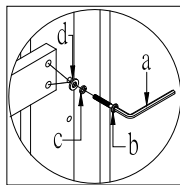
ITEM NO.: 3650&3651-18H/18F/17R

FL PANEL HB W/PANEL FOOTBOARD & RAILS-TRIBECA
YTH

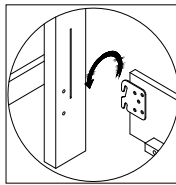
Thank you for purchasing this quality product. Be sure to check all packing material carefully for small parts that may have come loose inside the carton during shipment.



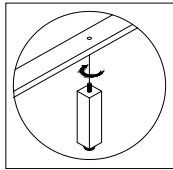
STEP 1



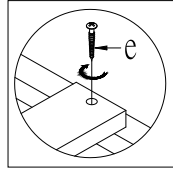
STEP 2



STEP 3



STEP 4



STEP 5

- STEP 1: ATTACH CONNECT PANEL (G) TO HEADBOARD POST (F) AND HEADBOARD (A) BY USING ALLEN KEY (a), BOLT (b), SPRING WASHER (c) AND FLAT WASHER (d).
 STEP 2: ATTACH CROSS BAR (D) TO THE HEADBOARD POST (F) BY USING ALLEN KEY (a), BOLT (b), SPRING WASHER (c) AND FLAT WASHER (d).
 STEP 3: HANG SIDE RAILS (C) TO THE HEADBOARD POST (F) AND FOOTBOARD (B).
 STEP 4: ATTACH SUPPORT LEG (G) TO SLATS (E) BY TURNING CLOCKWISE.
 STEP 5: ATTACH SLATS (E) TO SIDE RAILS (C) BY USING SCREW (e).

IMPORTANT NOTE:

- HARDWARE BAG FOR HEADBOARD IS PACKED WITH HEADBOARD.
- HARDWARE BAG FOR FOOTBOARD AND SLATS IS PACKED WITH FOOTBOARD.

TOOLS REQUIRED (NOT PROVIDED):
PHILLIPS SCREWDRIVER



PARTS LIST

NO.	DESC	SKETCH	Q'TY
A	HEADBOARD		1 PC
B	FOOTBOARD		1 PC
C	BED SIDE RAILS		2 PCS
D	CROSS BAR		1 PC
E	BED SLATS		4 PCS
F	HEADBOARD POST (L + R)		2 PCS
G	SUPPORT LEG		4 PCS
H	CONNECT PANEL		2 PCS

HARDWARE LIST FOR HEADBOARD

NO.	DESCRIPTION	SKETCH	SIZE	Q'TY
a	Allen Key		4 x 74 x 29mm	1 PC
b	Bolt		ϕ 1/4" x 15 x 38mm	16 PCS
c	Spring Washer		ϕ 1/4" x ϕ 11 x 2mm T	16 PCS
d	Flat Washer		ϕ 1/4" x ϕ 18 x 2mm T	16 PCS
f	STRAIGHT ALLEN KEY		4*100mm	1 PC

HARDWARE LIST FOR FOOTBOARD AND SLATS

NO.	DESCRIPTION	SKETCH	SIZE	Q'TY
e	Screw		#8 x 30mm	8 PCS

Made In Vietnam