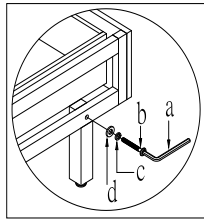
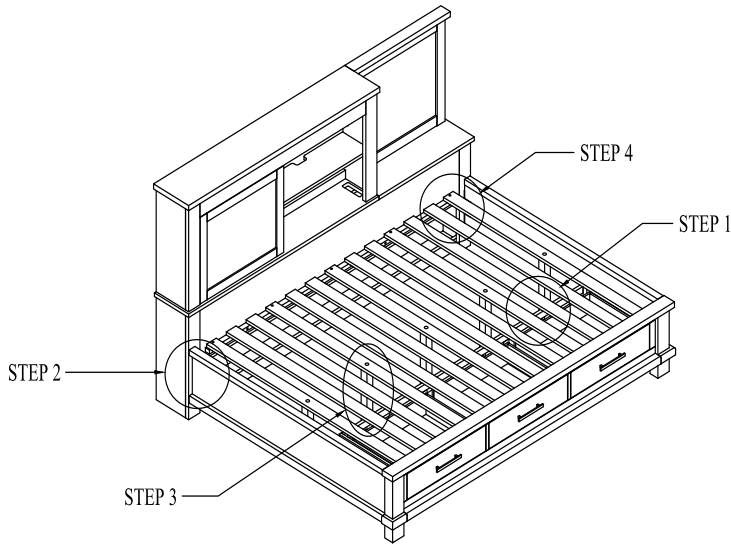


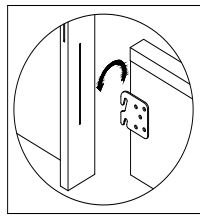
# ASSEMBLY INSTRUCTIONS

ITEM NO.: 3650&3651-37&39  
FL LOUNGE BED- TRIBECA YTH

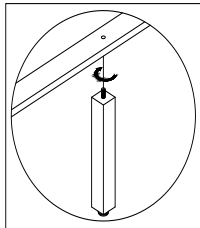
Thank you for purchasing this quality product. Be sure to check all packing material carefully for small parts that may have come loose inside the carton during shipment.



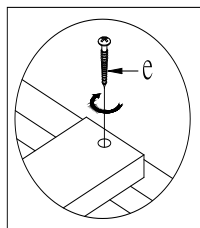
STEP 1



STEP 2



STEP 3



STEP 4

STEP 1: ATTACH SHORT SUPPORT LEGS ( E ) TO THE STORAGE FOOTBOARD ( B ) BY USING ALLEN KEY ( a ), BOLT ( b ), SPRING WASHER ( c ), FLAT WASHER ( d ).  
STEP 2: HANG SIDE RAILS ( C ) TO THE HEADBOARD ( A ) AND STORAGE FOOTBOARD ( B ).  
STEP 3: ATTACH LONG SUPPORT LEG ( F ) TO SLATS ROLL ( D ) BY TURNING CLOCKWISE.  
STEP 4: ATTACH SLATS ROLL ( D ) TO SIDE RAILS ( C ) BY USING SCREW ( e ).

**IMPORTANT NOTE:**

1. HARDWARE BAG FOR HEADBOARD IS PACKED WITH HEADBOARD.
2. HARDWARE BAG FOR FOOTBOARD AND SLATS IS PACKED WITH FOOTBOARD.

TOOLS REQUIRED (NOT PROVIDED):  
PHILLIPS SCREWDRIVER



PARTS LIST				
NO.	DESC	SKETCH	Q'TY	
A	HEADBOARD		1 PC	
B	STORAGE FOOTBOARD		1 PC	
C	SIDE RAILS		2 PCS	
D	SLAT ROLL		1 PC	
E	SHORT SUPPORT LEGS		3 PCS	
F	LONG SUPPORT LEGS ( L + R )		3 PCS	

HARDWARE LIST FOR FOOTBOARD				
NO.	DESCRIPTION	SKETCH	SIZE	Q'TY
a	Allen Key		4 x 74 x 29mm	1 PC
b	Bolt		ϕ1/4" x 15 x 38mm	3 PCS
c	Spring Washer		ϕ1/4" x ϕ11 x 2mm T	3 PCS
d	Flat Washer		ϕ1/4" x ϕ18 x 2mm T	3 PCS
e	Screw		#8*30mm	10 PCS
g	STRAIGHT ALLEN KEY		4*100mm	1 PC

Made In Vietnam