

ASSEMBLY INSTRUCTIONS

ITEM NO.: 3650&3651-46H&47H
 TW&FL BKS HB W/USB CH-TRIBECA YTH

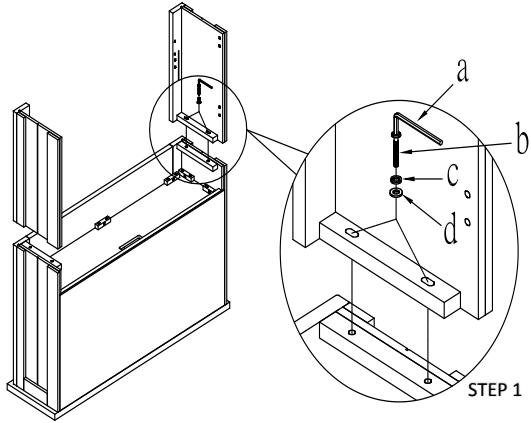
Thank you for purchasing this quality product. Be sure to check all packing material carefully for small parts that may have come loose inside the carton during shipment.

TOOLS REQUIRED (NOT PROVIDED):
PHILLIPS SCREWDRIVER

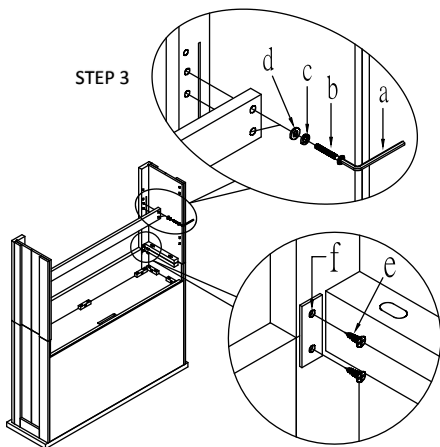


PARTS LIST			
NO.	DESC	SKETCH	Q'TY
A	HEADBOARD		1 PC
B	HEADBOARD POSTS (L + R)		2 PC
C	UP CROSS BAR		1 PCS
D	LOWER CROSS BAR		2 PC

HARDWARE LIST FOR HEADBOARD				
NO.	DESCRIPTION	SKETCH	SIZE	Q'TY
a	Allen Key		4 x 74 x 29mm	1 PC
b	Bolt		1/4" x 15 x 38mm	16 PCS
c	Spring Washer		1/4" x 11 x 2mm T	16 PCS
d	Flat Washer		1/4" x 18 x 2mm T	16 PCS
e	Screw		#6*15mm	4 PCS
f	METAL PLATE		47*9*12mm	2 PC
g	STRAIGHT ALLEN KEY		4*100mm	1 PC

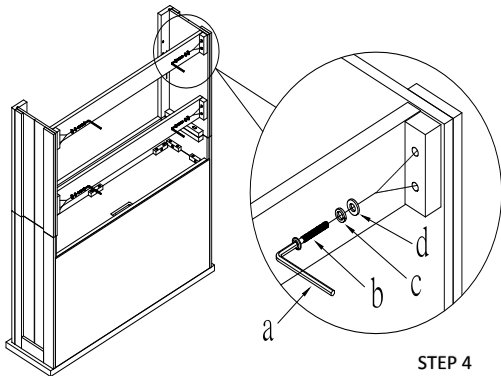


STEP 1

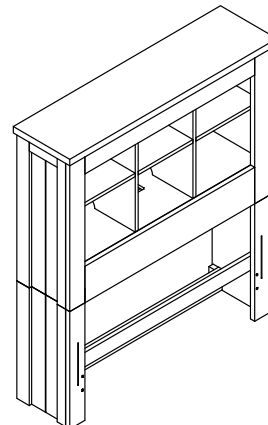


STEP 3

STEP 2



STEP 4



STEP 1: WITH ANOTHER PERSON'S ASSISTANT, LAY THE HEADBOARD UPSIDE DOWN ON A SOFT SURFACE; ATTACH THE HEADBOARD POSTS (B) TO THE HEADBOARD (A) BY USING ALLEN KEY (a), BOLT (b), SPRING WASHER (c) AND FLAT WASHER (d).

STEP 2: SECURE HEADBOARD POSTS (B) AND THE HEADBOARD (A) BY USING METAL PLATE (f), AND SCREW (e).

STEP 3: ATTACH UP CROSS BAR (C) TO THE HEADBOARD POST (B) BY USING ALLEN KEY (a), BOLT (b), SPRING WASHER (c) AND FLAT WASHER (d).

STEP 4: ATTACH LOWER CROSS BAR (D) TO THE HEADBOARD POST (B) BY USING ALLEN KEY (a), BOLT (b), SPRING WASHER (c) AND FLAT WASHER (d).

IMPORTANT NOTE:

- HARDWARE BAG FOR HEADBOARD IS PACKED WITH HEADBOARD.
- HARDWARE BAG FOR FOOTBOARD AND SLATS IS PACKED WITH FOOTBOARD.

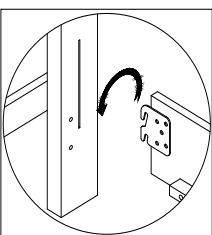
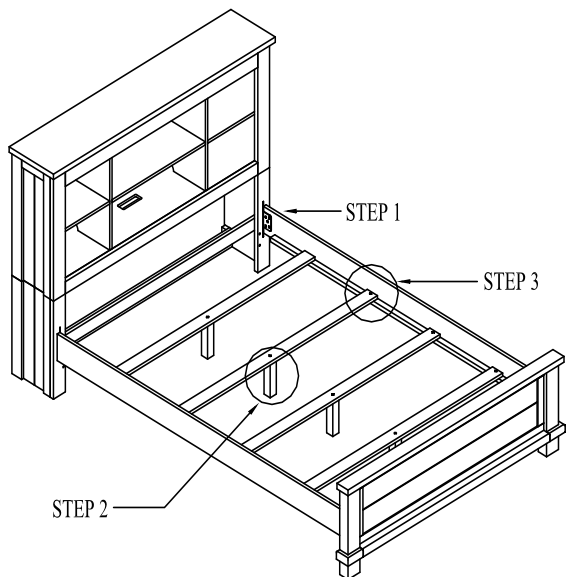
Made In Vietnam

ASSEMBLY INSTRUCTIONS

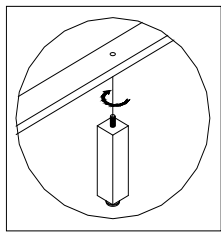
ITEM NO.: 3650&3651-47H/18F/17R

TW BOOKCASE BED W/PANEL FOOTBOARD & RAILS -
TRIBECA YTH

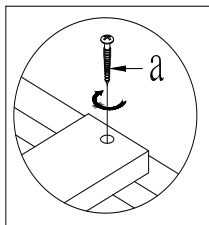
Thank you for purchasing this quality product. Be sure to check all packing material carefully for small parts that may have come loose inside the carton during shipment.



STEP 1



STEP 2



STEP 3

STEP 1: HANG SIDE RAILS (C) TO THE BOOKCASE HEADBOARD (A).
STEP 2: ATTACH SUPPORT LEG (E) TO SLATS (D) BY TURNING CLOCKWISE.
STEP 3: ATTACH SLATS (D) TO SIDE RAILS (C) BY USING SCREW (a).

IMPORTANT NOTE:

1. HARDWARE BAG FOR HEADBOARD IS PACKED WITH HEADBOARD.
2. HARDWARE BAG FOR FOOTBOARD AND SLATS IS PACKED WITH FOOTBOARD.

TOOLS REQUIRED (NOT PROVIDED):
PHILLIPS SCREWDRIVER



PARTS LIST			
NO.	DESC	SKETCH	Q'TY
A	BOOKCASE HEADBOARD		1 PC
B	FOOTBOARD		1 PC
C	SIDE RAILS		2 PCS
D	BED SLATS		4 PCS
E	SUPPORT LEG		4 PCS

HARDWARE LIST FOR FOOTBOARD				
NO.	DESCRIPTION	SKETCH	SIZE	Q'TY
a	Screw		#8*30mm	8 PC

Made In Vietnam