

ASSEMBLY INSTRUCTIONS

ITEM NO.: 3650&3651-03&04

DRAWER DRESSER & LANDSCAPE MIRROR-
TRIBECA YTH

THANK YOU FOR PURCHASING THIS QUALITY PRODUCT. BE SURE TO CHECK ALL PACKING MATERIALS CAREFULLY FOR SMALL PARTS THAT MAY HAVE COME LOOSE INSIDE THE CARTON DURING SHIPMENT.

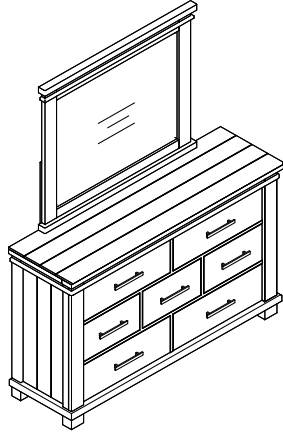
TOOLS REQUIRED (NOT PROVIDED)

PHILLIPS SCREWDRIVER



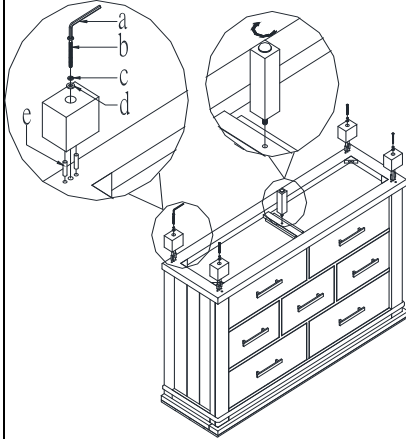
PARTS LIST:

NO	DESCRIPTION	SKETCH	QTY
A	DRAWER DRESSER		1 PC
B	BUN FEET		4 PCS
C	CENTER SUPPORT LEG		1 PC
D	LANDSCAPE MIRROR		1 PC
E	MIRROR SUPPORT		2 PCS



DRAWER DRESSER HARDWARE LIST:

NO	DESCRIPTION	SKETCH	SIZE	QTY
a	Allen Key		4 x 74 x 29mm	1 PC
b	Bolt		φ 1/4"x 15 x 70mm	4 PCS
c	Spring Washer		φ 1/4"x φ 11x 2mm T	4 PCS
d	Flat Washer		φ 1/4"x φ 18 x 2mm T	4 PCS
e	WOODEN DOWEL		10*30mm	8 PCS
f	Tipping Restraint			1 set
g	Straight Allen Key		4*100mm	1PC



LANDSCAPE MIRROR HARDWARE LIST:

NO	DESCRIPTION	SKETCH	SIZE	QTY
a	Allen Key		4 x 74 x 29mm	1 PC
h	Bolt		φ 1/4"x 11.5 x 32mm	8 PCS
c	Spring Washer		φ 1/4"x φ 11x 2mm T	8 PCS
d	Flat Washer		φ 1/4"x φ 18 x 2mm T	8 PCS
g	Straight Allen Key		4*100mm	1PC

STEP 1: Lay the drawer dresser (A) up side down on a soft surface. Insert wooden dowel (e) to the bottom of drawer dresser (A). Attach bun feet(B) by using allen key (a), bolt (b), spring washer (c), flat washer (d). Attach center support leg (C) to the bottom of drawer dresser (A).

STEP 2: With another person's assistance, lift the mirror (D) and attach mirror support (E) into position on top of the dresser. Secure the mirror in place by using allen key (a), bolt (h), spring washer (c), flat washer (d).

Important note:

1. The furniture tipping restraint is stapled to the back of the dresser.
2. The hardware bag for the Drawer Dresser is packed with Drawer Dresser.
3. The hardware bag for the Landscape Mirror is packed with Landscape Mirror.

