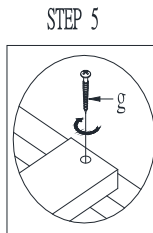
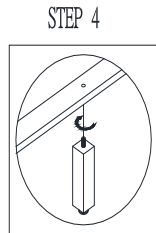
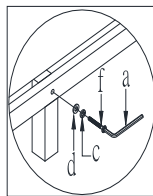
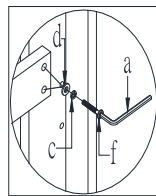
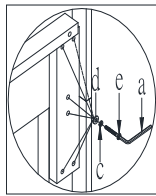
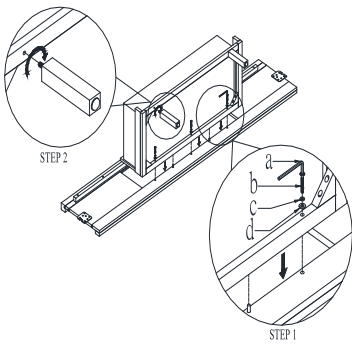
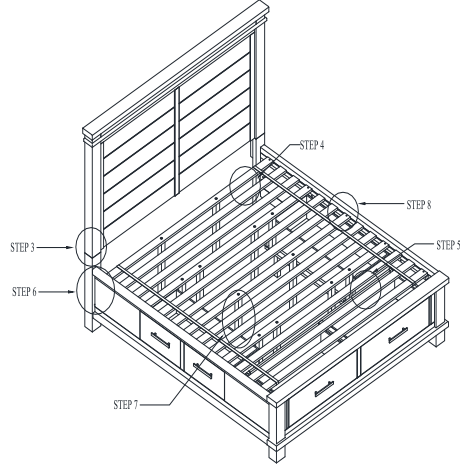




ASSEMBLY INSTRUCTIONS

ITEM NO.: 2650-22H-22USF-21USR
 KING BED W/STORAGE FOOTBOARD & 2 SIDE STORAGE RAILS

Thank you for purchasing this quality product. Be sure to check all packing material carefully for small parts that may have come loose inside the carton during shipment.



- STEP 1:** ATTACH DRAWER TO THE RAIL PENAL BY USING ALLEN KEY (a), BOLT (b), SPRING WASHER (c) AND FLAT WASHER (d).
STEP 2: ATTACH STORAGE DRAWER SUPPORT LEG (J) TO THE STORAGE RAILS (C) BY TURNING THE SUPPORT LEG CLOCKWISE.
STEP 3: ATTACH CONNECT PANEL (H) TO HEADBOARD POST (F) AND HEADBOARD (A) BY USING ALLEN KEY (a), BOLT (b), SPRING WASHER (c) AND FLAT WASHER (d).
STEP 4: ATTACH CROSS BAR (D) TO THE HEADBOARD POST (F) BY USING ALLEN KEY (a), BOLT (e), SPRING WASHER (c) AND FLAT WASHER (d).
STEP 5: ATTACHED SHORT SUPPORT LEG (I) TO THE FOOTBOARD (B) BY USING ALLEN KEY (a), BOLT (f), SPRING WASHER (c) AND FLAT WASHER (d).
STEP 6: HANG STORAGE RAILS (C) TO THE HEADBOARD POST (F) AND FOOTBOARD (B).
STEP 7: ATTACH SUPPORT LEG (G) TO SLATS (E) BY TURNING CLOCKWISE.
STEP 8: ATTACH SLATS (E) TO STORAGE RAILS (C) BY USING SCREW (g).

IMPORTANT NOTE:

- HARDWARE BAG FOR HEADBOARD IS PACKED WITH HEADBOARD.
- HARDWARE BAG FOR FOOTBOARD AND SLATS IS PACKED WITH FOOTBOARD.

TOOLS REQUIRED (NOT PROVIDED):
 PHILLIPS SCREWDRIVER



PARTS LIST			
NO.	DESC	SKETCH	Q'TY
A	HEADBOARD		1 PC
B	FOOTBOARD		1 PC
C	STORAGE RAILS		2 PCS
D	CROSS BAR		1 PC
E	BED SLATS ROLL		4 PCS
F	HEADBOARD POST (L + R)		2 PCS
G	LONG SUPPORT LEG		8 PCS
H	CONNECT PANEL		2 PCS
I	SHORT SUPPORT LEG		2 PCS
J	STORAGE DRAWER SUPPORT LEG		4 PCS

HARDWARE LIST FOR HEADBOARD				
NO.	DESCRIPTION	SKETCH	SIZE	Q'TY
a	Allen Key		4 x 74 x 29mm	1 PC
b	Bolt		φ1/4" x 15 x 45mm	12 PCS
c	Spring Washer		φ1/4" x φ11 x 2mm T	16 PCS
d	Flat Washer		φ1/4" x φ18 x 2mm T	16 PCS
e	Bolt		φ1/4" x 15 x 38mm	4 PCS
g	STRAIGHT ALLEN KEY		4*100mm	1 PC

HARDWARE LIST FOR FOOTBOARD AND SLATS				
NO.	DESCRIPTION	SKETCH	SIZE	Q'TY
a	Allen Key		4 x 74 x 29mm	1 PC
c	Spring Washer		φ1/4" x φ11 x 2mm T	2 PCS
d	Flat Washer		φ1/4" x φ18 x 2mm T	2 PCS
e	Bolt		φ1/4" x 15 x 38mm	2 PCS
f	Screw		#8 x 30mm	10 PCS
g	STRAIGHT ALLEN KEY		4*100mm	1 PC

HARDWARE LIST FOR STORAGE RAILS				
NO.	DESCRIPTION	SKETCH	SIZE	Q'TY
a	Allen Key		4 x 74 x 29mm	1 PC
b	Bolt		φ1/4" x 15 x 45mm	6 PCS
c	Spring Washer		φ1/4" x φ11 x 2mm T	6 PCS
d	Flat Washer		φ1/4" x φ18 x 2mm T	6 PCS
g	STRAIGHT ALLEN KEY		4*100mm	1 PC

Made In Vietnam



ASSEMBLY INSTRUCTIONS

ITEM NO.: 2650-01&02

DRAWER DRESSER & LANDSCAPE MIRROR

THANK YOU FOR PURCHASING THIS QUALITY PRODUCT. BE SURE TO CHECK ALL PACKING MATERIALS CAREFULLY FOR SMALL PARTS THAT MAY HAVE COME LOOSE INSIDE THE CARTON DURING SHIPMENT.

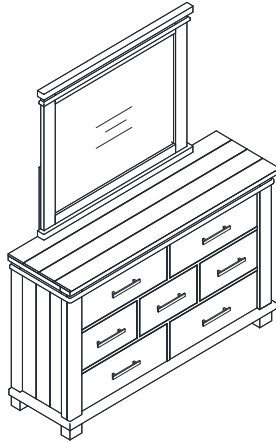
TOOLS REQUIRED (NOT PROVIDED)

PHILLIPS SCREWDRIVER



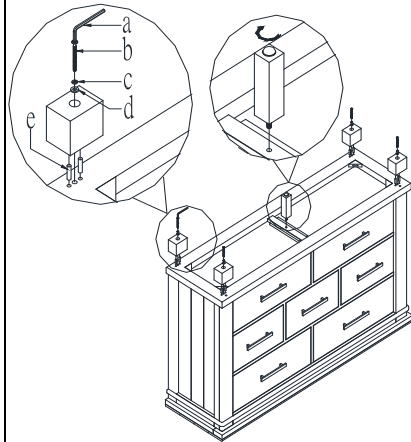
PARTS LIST:

NO	DESCRIPTION	SKETCH	QTY
A	DRAWER DRESSER		1 PC
B	BUN FEET		4 PCS
C	CENTER SUPPORT LEG		1 PC
D	LANDSCAPE MIRROR		1 PC
E	MIRROR SUPPORT		2 PCS



DRAWER DRESSER HARDWARE LIST:

NO	DESCRIPTION	SKETCH	SIZE	QTY
a	Allen Key		4 x 74 x 29mm	1 PC
b	Bolt		ϕ 1/4"x 15 x 70mm	4 PCS
c	Spring Washer		ϕ 1/4"x ϕ 11x 2mm T	4 PCS
d	Flat Washer		ϕ 1/4"x ϕ 18 x 2mm T	4 PCS
e	WOODEN DOWEL		10*40mm	8 PCS
f	TIPPING RESTRAINT			1 set
g	STRAIGHT ALLEN KEY		4*100mm	1PC



LANDSCAPE MIRROR HARDWARE LIST:

NO	DESCRIPTION	SKETCH	SIZE	QTY
a	Allen Key		4 x 74 x 29mm	1 PC
h	Bolt		ϕ 1/4"x 11.5 x 32mm	8 PCS
c	Spring Washer		ϕ 1/4"x ϕ 11x 2mm T	8 PCS
d	Flat Washer		ϕ 1/4"x ϕ 18 x 2mm T	8 PCS
g	STRAIGHT ALLEN KEY		4*100mm	1PC

STEP 1: Lay the drawer dresser (A) up side down on a soft surface. Insert wooden dowel (e) to the bottom of drawer dresser (A). Attach bun feet(B) by using allen key (a), bolt (b), spring washer (c), flat washer (d). Attach center support leg (C) to the bottom of drawer dresser (A).

STEP 2: With another person's assistance, lift the mirror (D) and attach mirror support (E) into position on top of the dresser. Secure the mirror in place by using allen key (a), bolt (h), spring washer (c), flat washer (d).

Important note:

1. The furniture tipping restraint is stapled to the back of the dresser.
2. The hardware bag for the Drawer Dresser is packed with Drawer Dresser.
3. The hardware bag for the Landscape Mirror is packed with Landscape Mirror.

