



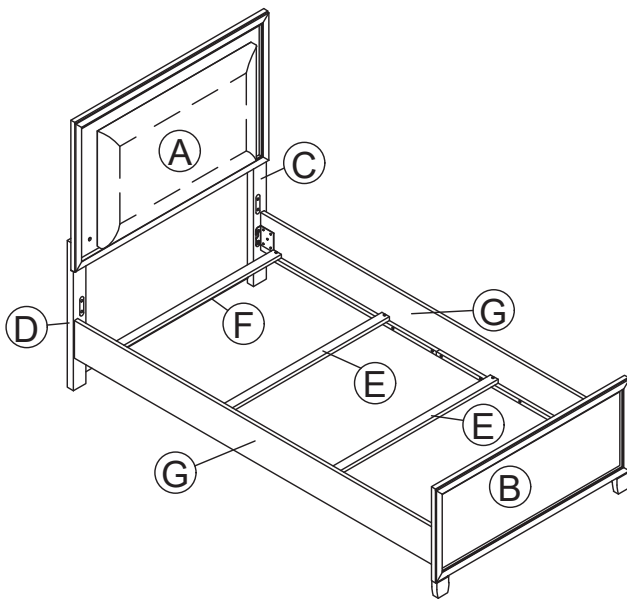
ASSEMBLY INSTRUCTION

2293 - 334 - TWIN UPHOLSTERED LIGHT UP HEADBOARD / FOOTBOARD / SLATS

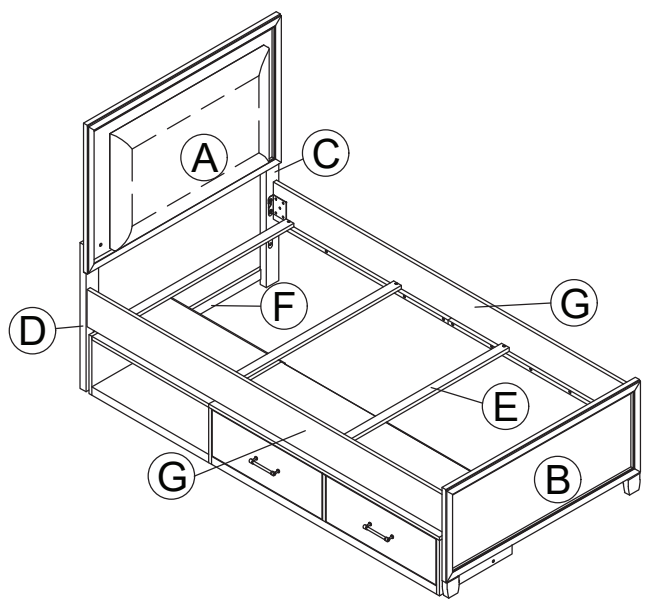
2293 - 350 - TWIN / FULL SIDERAILS - SULLIVAN WALNUT

Thank you for purchasing this quality product. Be sure to check all packing material carefully for small parts that may have come loose inside the carton during shipment.

TOOLS REQUIRED (NOT PROVIDED):
PHILIPS SCREW DRIVER



**COMPLETE BED
WITHOUT STORAGE**










**COMPLETE BED
WITH STORAGE**

HARDWARE LIST

No	Description	Q'ty
1	 JCBC Nylok Bolt M6 x 30mm	6
2	 Spring Washer Ø1/4"	6
3	 Flat Washer Ø1/4" x 13mm	6
4	 CSK Screw M4 x 32mm	10
5	 L Key M4	1
6	 L Key M5	1
7	 I Key M4	1
8	 I Key M5	1
9	 LED Adapter	1
10	 JCBC Nylok Bolt M8 x 14mm	8

PARTS LIST

No	Description	Picture	Q'ty
A	Headboard Panel		1
B	Footboard Panel		1
C	Headboard Leg (R)		1
D	Headboard Leg (L)		1
E	Bed Slat (18mm x 45mm x 1008mm)		4
F	Headboard Rail Support		1
G	Side Rail		2



ASSEMBLY INSTRUCTION

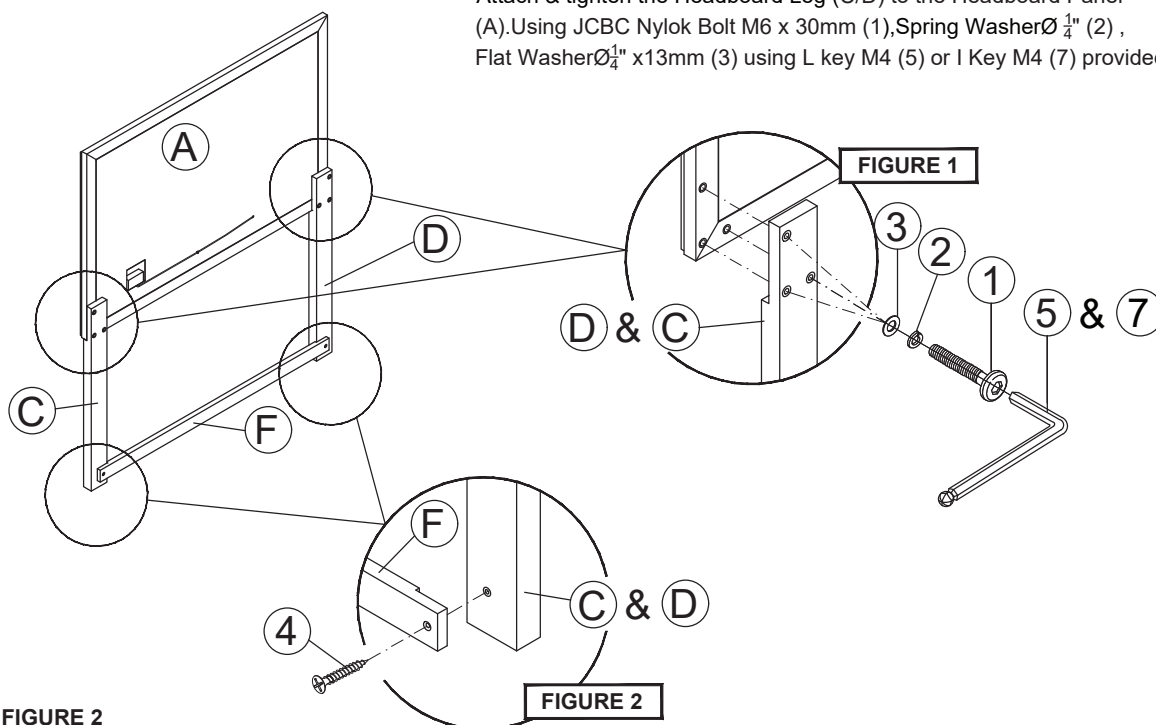
2293 - 334 - TWIN UPHOLSTERED LIGHT UP HEADBOARD / FOOTBOARD / SLATS

2293 - 350 - TWIN / FULL SIDERAILS - SULLIVAN WALNUT

Thank you for purchasing this quality product. Be sure to check all packing material carefully for small parts that may have come loose inside the carton during shipment.

STEP 1 - FIGURE 1

Attach & tighten the Headboard Leg (C/D) to the Headboard Panel (A). Using JCBC Nylok Bolt M6 x 30mm (1), Spring Washer $\varnothing \frac{1}{4}$ " (2), Flat Washer $\varnothing \frac{1}{4}$ " x 13mm (3) using L key M4 (5) or I Key M4 (7) provided.

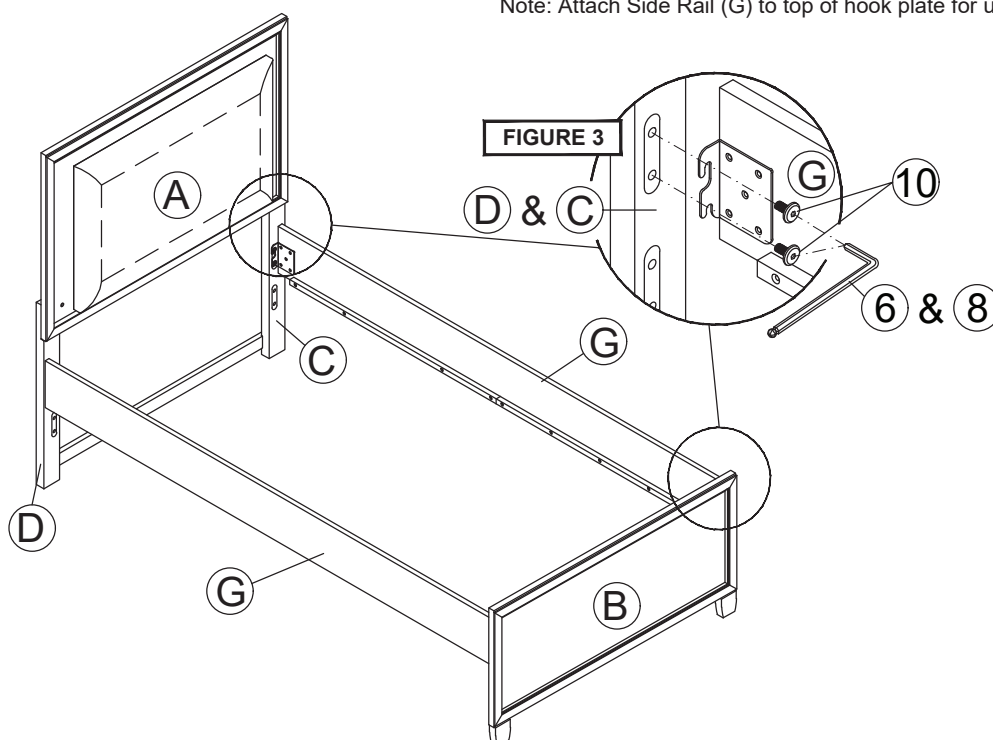


STEP 2 - FIGURE 2

Attach Headboard Rail Support (F) using CSK screw M4 x 32mm (4).

STEP 3 - FIGURE 3

Attach Side Rail (G) to Headboard Leg (C/D). Tighten JCBC Nylok Bolt M8 (10) to Headboard Leg (C/D) by using L Key M5 (6) or I Key M5 (8) and repeat the same step on Footboard Panel (B).
Note: Attach Side Rail (G) to top of hook plate for use of Storage Unit.





ASSEMBLY INSTRUCTION

2293 - 334 - TWIN UPHOLSTERED LIGHT UP HEADBOARD / FOOTBOARD / SLATS

2293 - 350 - TWIN / FULL SIDERAILS - SULLIVAN WALNUT

Thank you for purchasing this quality product. Be sure to check all packing material carefully for small parts that may have come loose inside the carton during shipment.

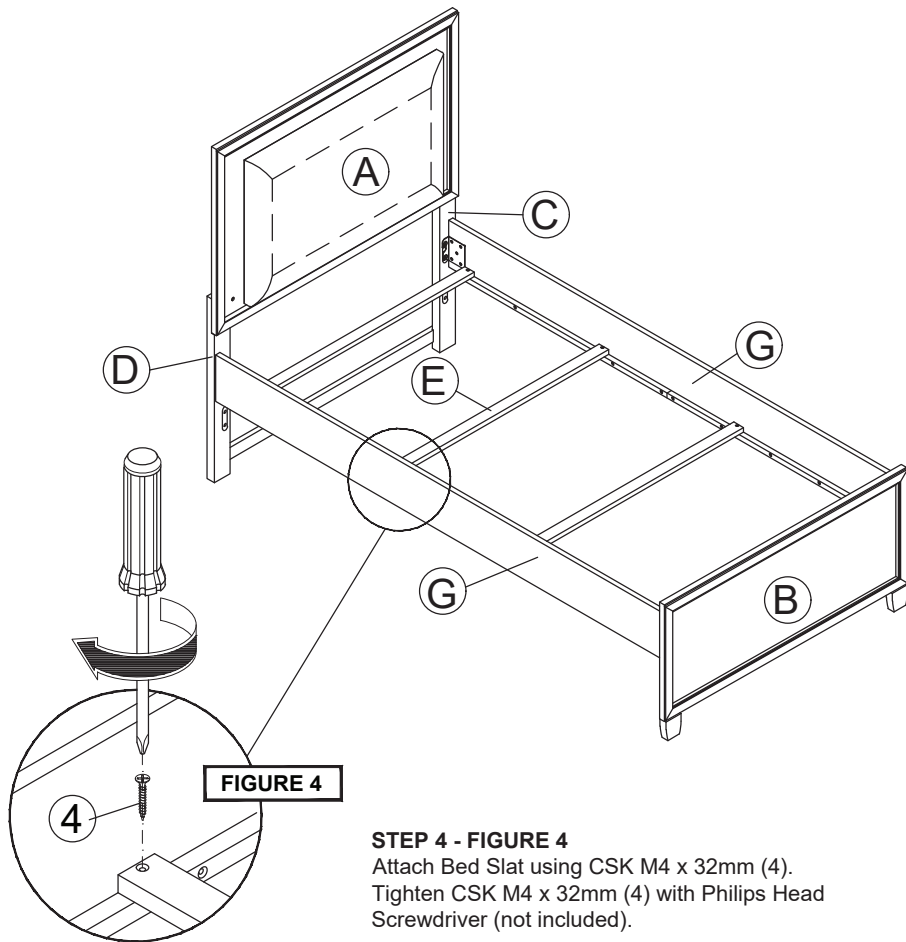


FIGURE 4

STEP 4 - FIGURE 4
Attach Bed Slat using CSK M4 x 32mm (4).
Tighten CSK M4 x 32mm (4) with Philips Head
Screwdriver (not included).

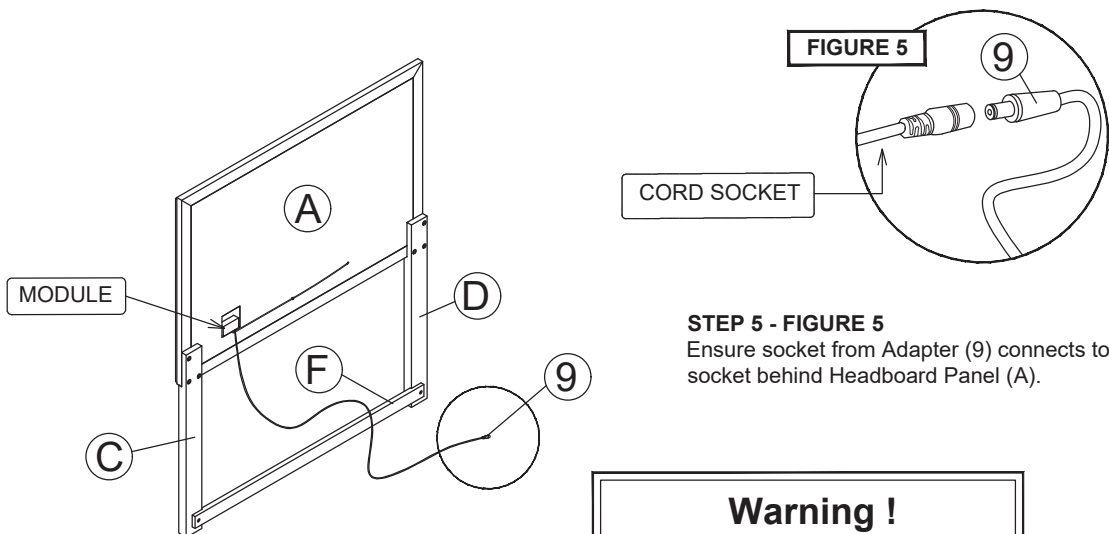


FIGURE 5

STEP 5 - FIGURE 5
Ensure socket from Adapter (9) connects to
socket behind Headboard Panel (A).

Warning !

Caution ! : Please do not touch
the chrome button with wet hand.