



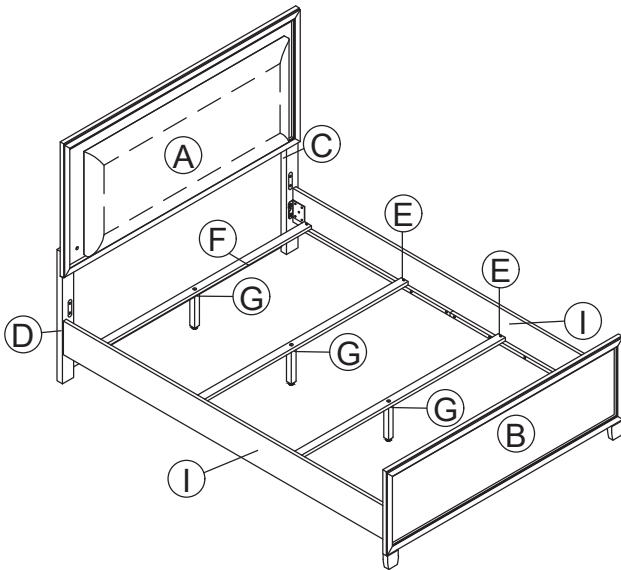
ASSEMBLY INSTRUCTION

2293 - 464 - FULL UPHOLSTERED LIGHT UP HEADBOARD / FOOTBOARD SLATS

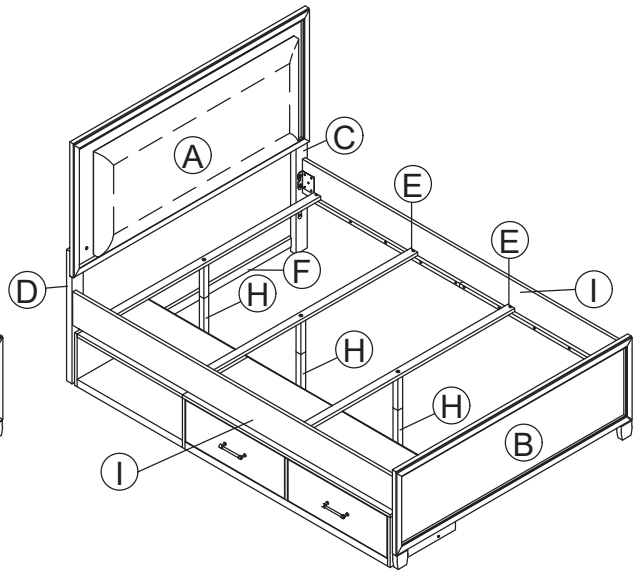
2293 - 350 - TWIN / FULL SIDERAILS - SULLIVAN WALNUT

Thank you for purchasing this quality product. Be sure to check all packing material carefully for small parts that may have come loose inside the carton during shipment.

TOOLS REQUIRED (NOT PROVIDED):
PHILIPS SCREW DRIVER



COMPLETE BED WITHOUT STORAGE



COMPLETE BED WITH STORAGE

HARDWARE LIST

No	Description	Q'ty
1	JCBC Nylok Bolt M6 x 30mm	6
2	JCBC Nylok Bolt M6 x 50mm	4
3	Spring Washer Ø1/4"	6
4	Flat Washer Ø1/4" x 13mm	6
5	CSK Screw M4 x 32mm	10
6	L Key M4	1
7	L Key M5	1
8	I Key M4	1
9	I Key M5	1
10	LED Adapter	1
11	JCBC Nylok Bolt M8 x 14mm	8

PARTS LIST

No	Description	Picture	Q'ty
A	Headboard Panel		1
B	Footboard Panel		1
C	Headboard Leg (R)		1
D	Headboard Leg (L)		1
E	Bed Slat (18mm x 45 mm x 1387 mm)		4
F	Headboard Rail Support		1
G	Bed Slat Top Support Leg (29mm x 29mm x 155mm)		4
H	Bed Slat Lower Support Leg (29mm x 29mm x 175mm)		4
I	Side Rail		2



ASSEMBLY INSTRUCTION

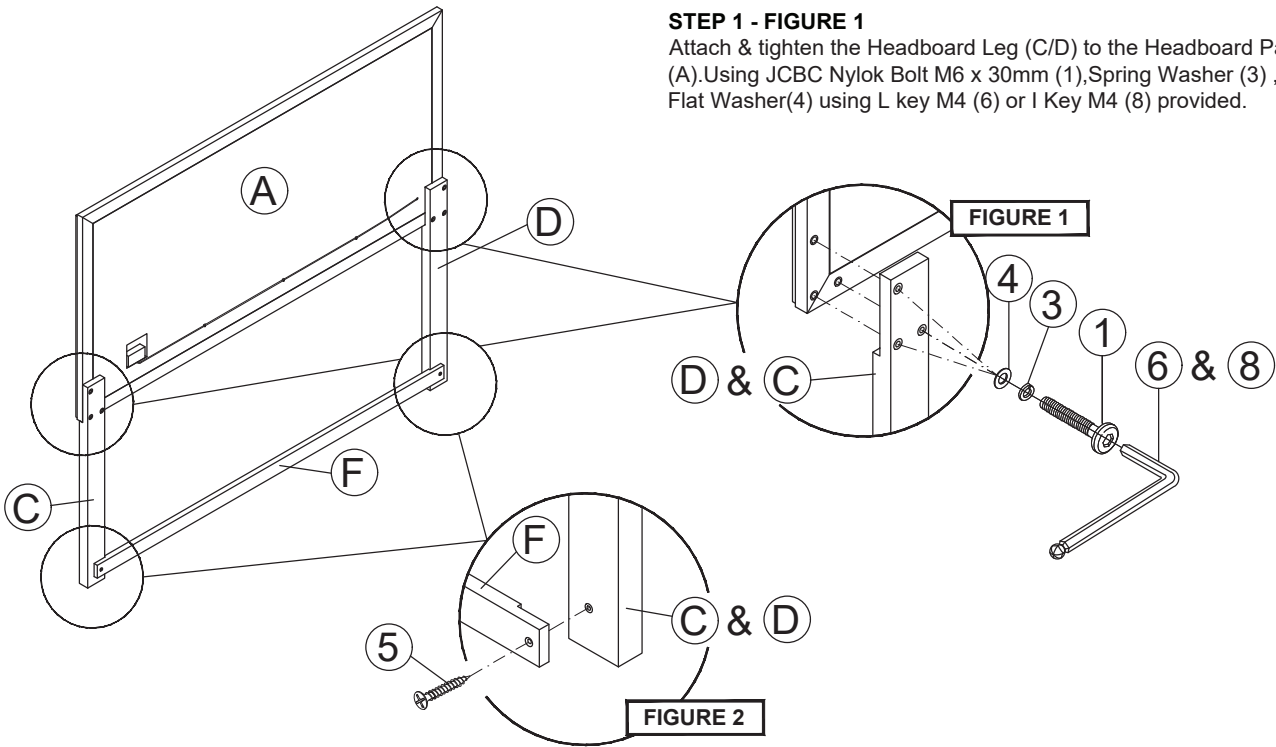
2293 - 464 - FULL UPHOLSTERED LIGHT UP HEADBOARD / FOOTBOARD SLATS

2293 - 350 - TWIN / FULL SIDERAIL - SULLIVAN WALNUT

Thank you for purchasing this quality product. Be sure to check all packing material carefully for small parts that may have come loose inside the carton during shipment.

STEP 1 - FIGURE 1

Attach & tighten the Headboard Leg (C/D) to the Headboard Panel (A). Using JCBC Nylok Bolt M6 x 30mm (1), Spring Washer (3), Flat Washer (4) using L key M4 (6) or I Key M4 (8) provided.

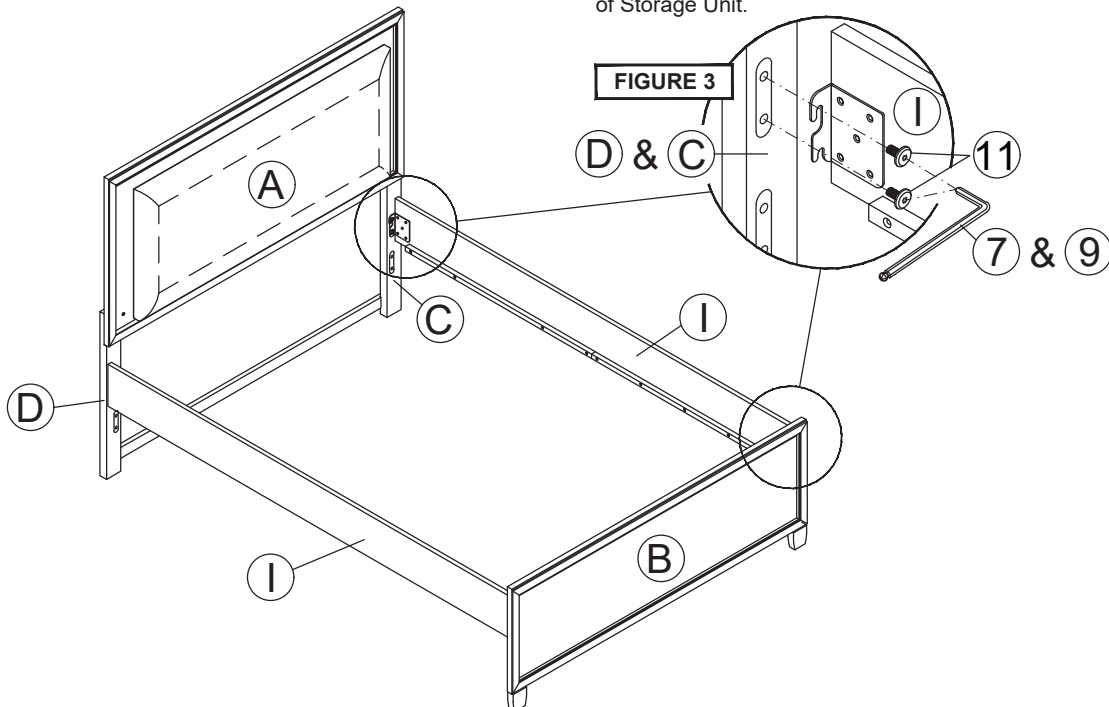


STEP 2 - FIGURE 2

Attach Headboard Rail Support (F) using CSK screw M4 x 32mm (5).

STEP 3 - FIGURE 3

Attach Side Rail (I) to Headboard Leg (C/D). Tighten M8 JCBC Nylok Bolt (11) to Headboard Leg (C/D) by using L Key M5 (7) or I Key M5 (9) and repeat the same step on Footboard Panel (B). Note: Attach Side Rail (I) to top of hook plate for use of Storage Unit.

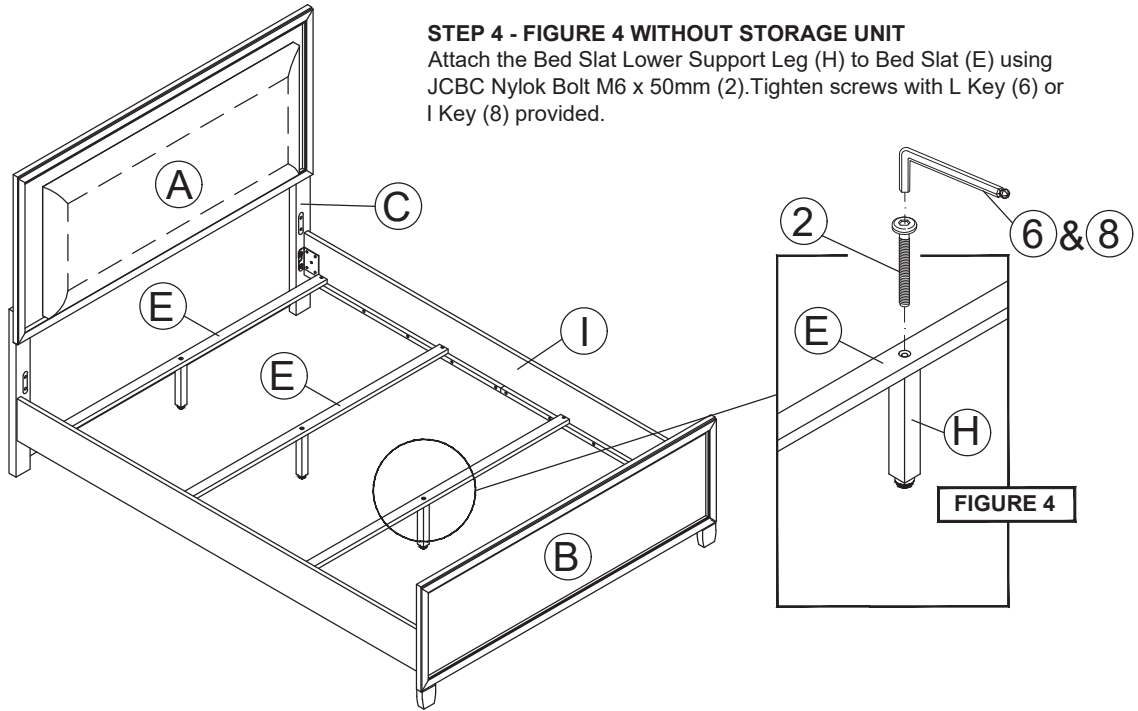


ASSEMBLY INSTRUCTION
2293 - 464 - FULL UPHOLSTERED LIGHT UP HEADBOARD / FOOTBOARD SLATS
2293 - 350 - TWIN / FULL SIDERAIL - SULLIVAN WALNUT

Thank you for purchasing this quality product. Be sure to check all packing material carefully for small parts that may have come loose inside the carton during shipment.

STEP 4 - FIGURE 4 WITHOUT STORAGE UNIT

Attach the Bed Slat Lower Support Leg (H) to Bed Slat (E) using JCBC Nylok Bolt M6 x 50mm (2). Tighten screws with L Key (6) or I Key (8) provided.



STEP 5 - FIGURE 5 WITH STORAGE UNIT

Attach Bed Slat Top Support Leg (G) to Bed Slat (E) using JCBC Nylok Bolt M6 X 50mm (2). Tighten screws with L Key M4 (6) or I Key M4 (8) provided. Next attach Bed Slat Lower Support Leg (H) to Bed Slat Top Support Leg (G).

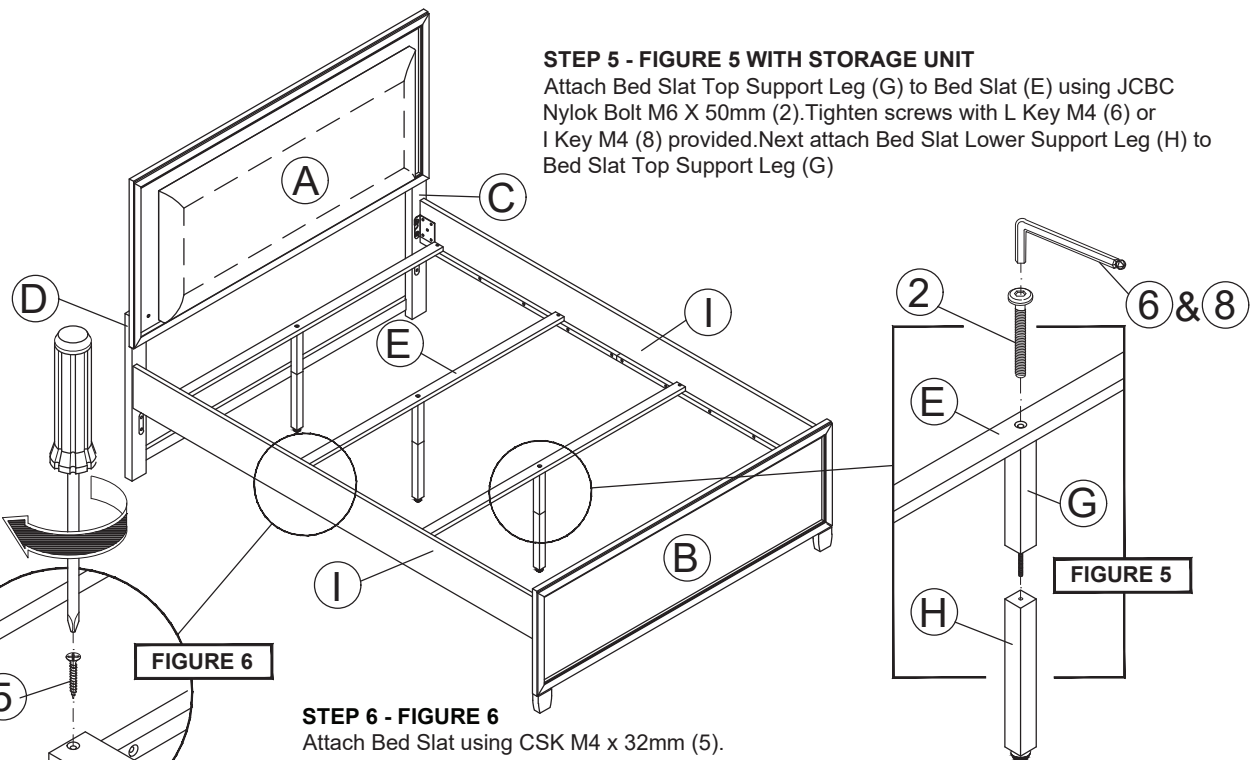


FIGURE 6

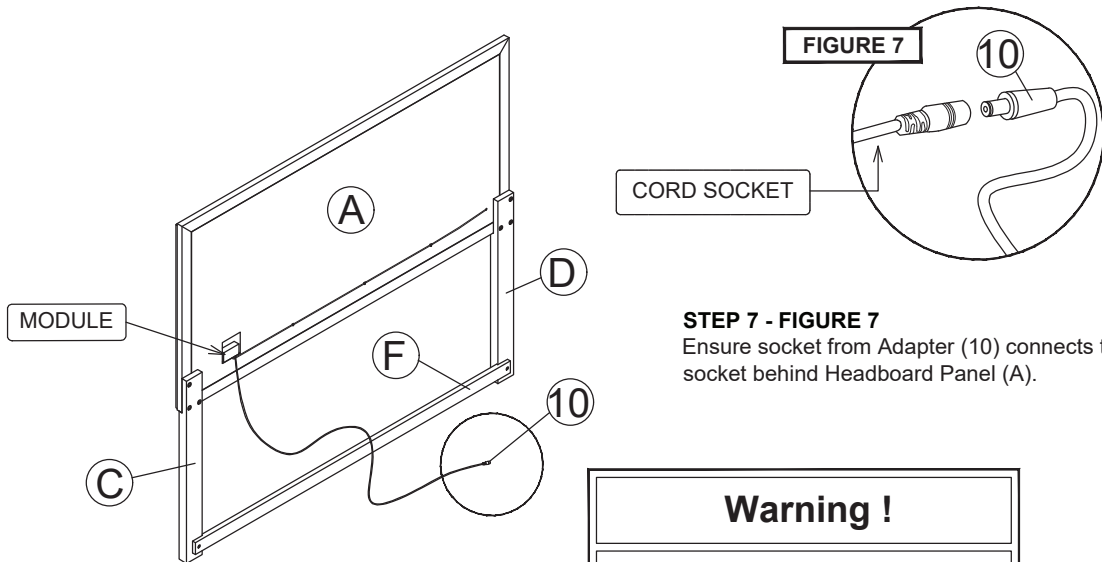
STEP 6 - FIGURE 6

Attach Bed Slat using CSK M4 x 32mm (5). Tighten CSK M4 x 32mm (5) with Philips Head Screwdriver (not included).



ASSEMBLY INSTRUCTION
2293 - 464 - FULL UPHOLSTERED LIGHT UP HEADBOARD / FOOTBOARD
SLATS
2293 - 350 - TWIN / FULL SIDERAIL - SULLIVAN WALNUT

Thank you for purchasing this quality product. Be sure to check all packing material carefully for small parts that may have come loose inside the carton during shipment.



STEP 7 - FIGURE 7
Ensure socket from Adapter (10) connects to socket behind Headboard Panel (A).

Warning !

Caution ! : Please do not touch the chrome button with wet hand.