



ASSEMBLY INSTRUCTION

2293 - 717 - DRESSER - SULLIVAN WALNUT

Thank you for purchasing this quality product. Be sure to check all packing material carefully for small parts that may have come loose inside the carton during shipment.

TOOLS REQUIRED (NOT PROVIDED):
PHILIPS SCREW DRIVER

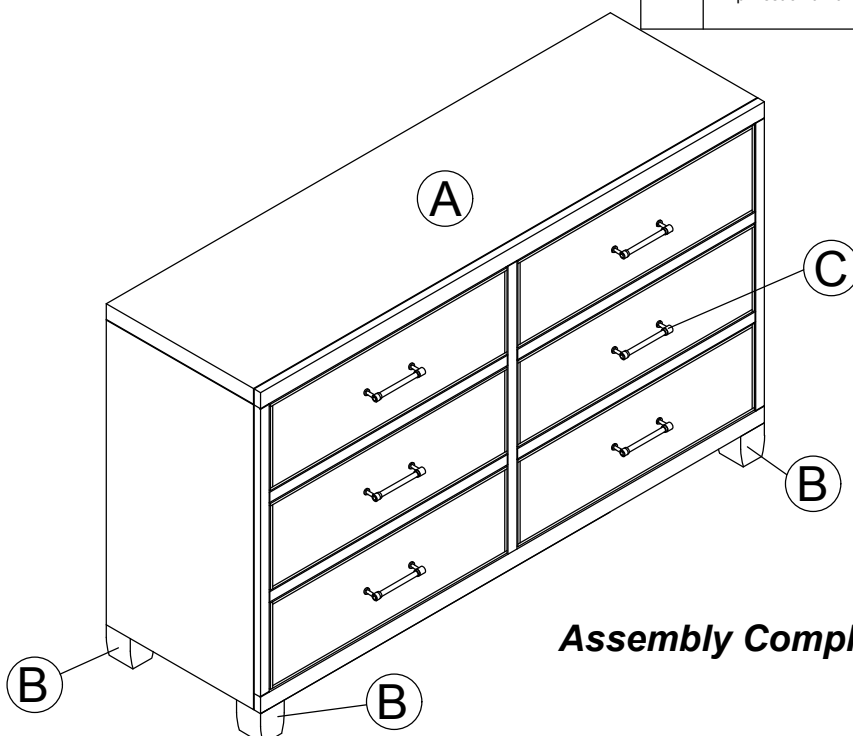


PART LIST

No.	Description	Picture	Q'ty
A	Drawer Dresser		1
B	Bun Foot		4
C	Handle		6
D	Support Leg		1

HARDWARE LIST

No.	Description	Picture	Q'ty
1	Wood Dowel 10mm x30mm		4
2	JCBC Nylok Bolt M6 x 50mm		4
3	Spring Washer Ø1/4"		4
4	Flat Washer Ø1/4" x 13mm		4
5	L Key M4		1
6	I Key M4		1
7	Tip Restraint Kit		1



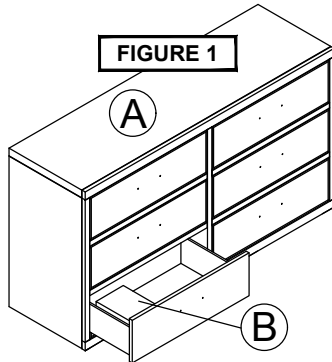
Assembly Complete



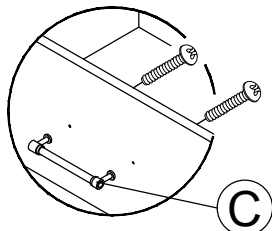
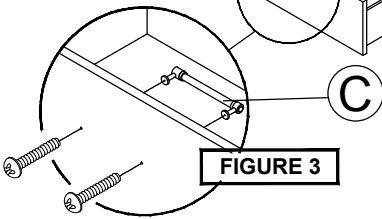
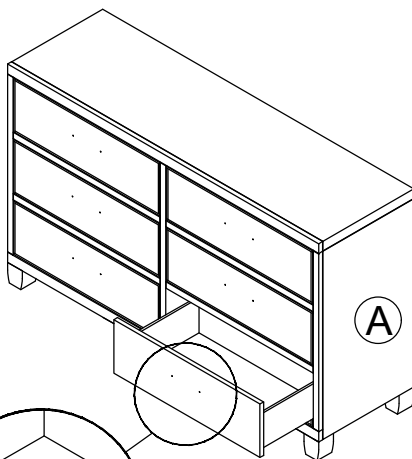
ASSEMBLY INSTRUCTION

2293 - 717 - DRESSER - SULLIVAN WALNUT

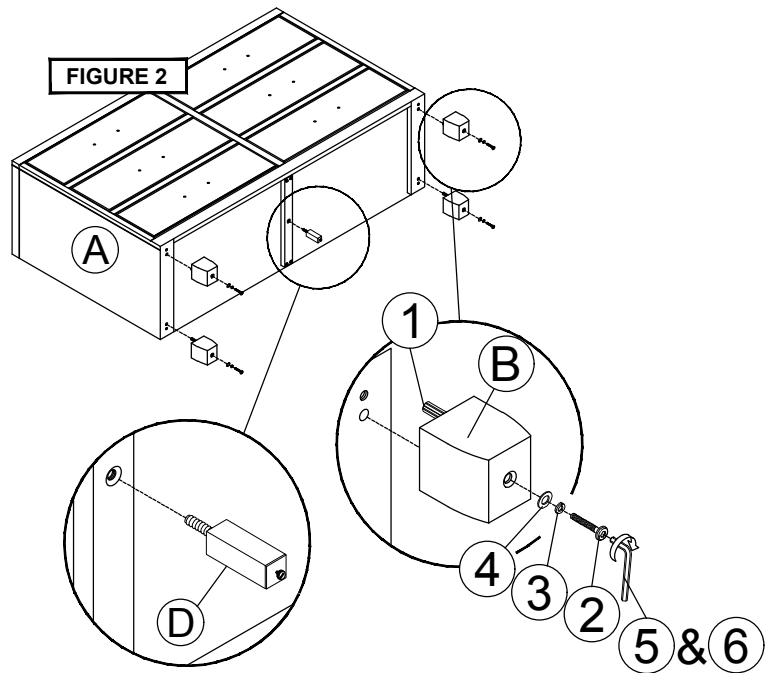
Thank you for purchasing this quality product. Be sure to check all packing material carefully for small parts that may have come loose inside the carton during shipment.



STEP 1 - FIGURE 1
Begin assembly by removing Bun Foot (B) Support Leg (C) from drawer in Dresser (A).

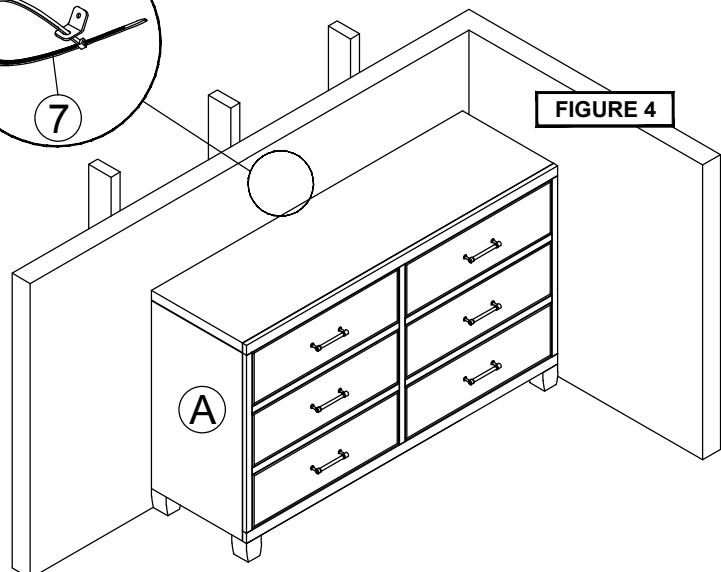
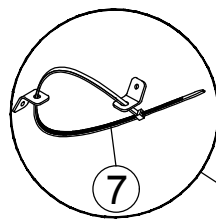


STEP 3 - FIGURE 3
Remove Handles (C) from drawers and then turn around and secure from the front. Tighten screws with Philips Screwdriver (not included).



STEP 2 - FIGURE 2

Insert Wood Dowel 10mm x 30mm (1) into each Bun Foot (B). Attach Bun Foot (B) to bottom of Dresser (A) using JCBC Nylok Bolt M6 x 50mm (2), Spring Washer $\text{\O} \frac{1}{4}$ " (3) & Flat Washer $\text{\O} \frac{1}{4}$ " x 13mm (4). Tighten using L Key M4 (5) or I Key M4 (6) provided. Attach Support Leg (D) to Dresser (A).



STEP 4 - FIGURE 4
Attach one end of Tip Restraint Kit (7) to wall and the other end to Dresser (A). The assembly is now complete.