

ASSEMBLY INSTRUCTION

ITEM NO: SS-TA-V3866-BCH-C






SS-TA-V3866-GRO-C

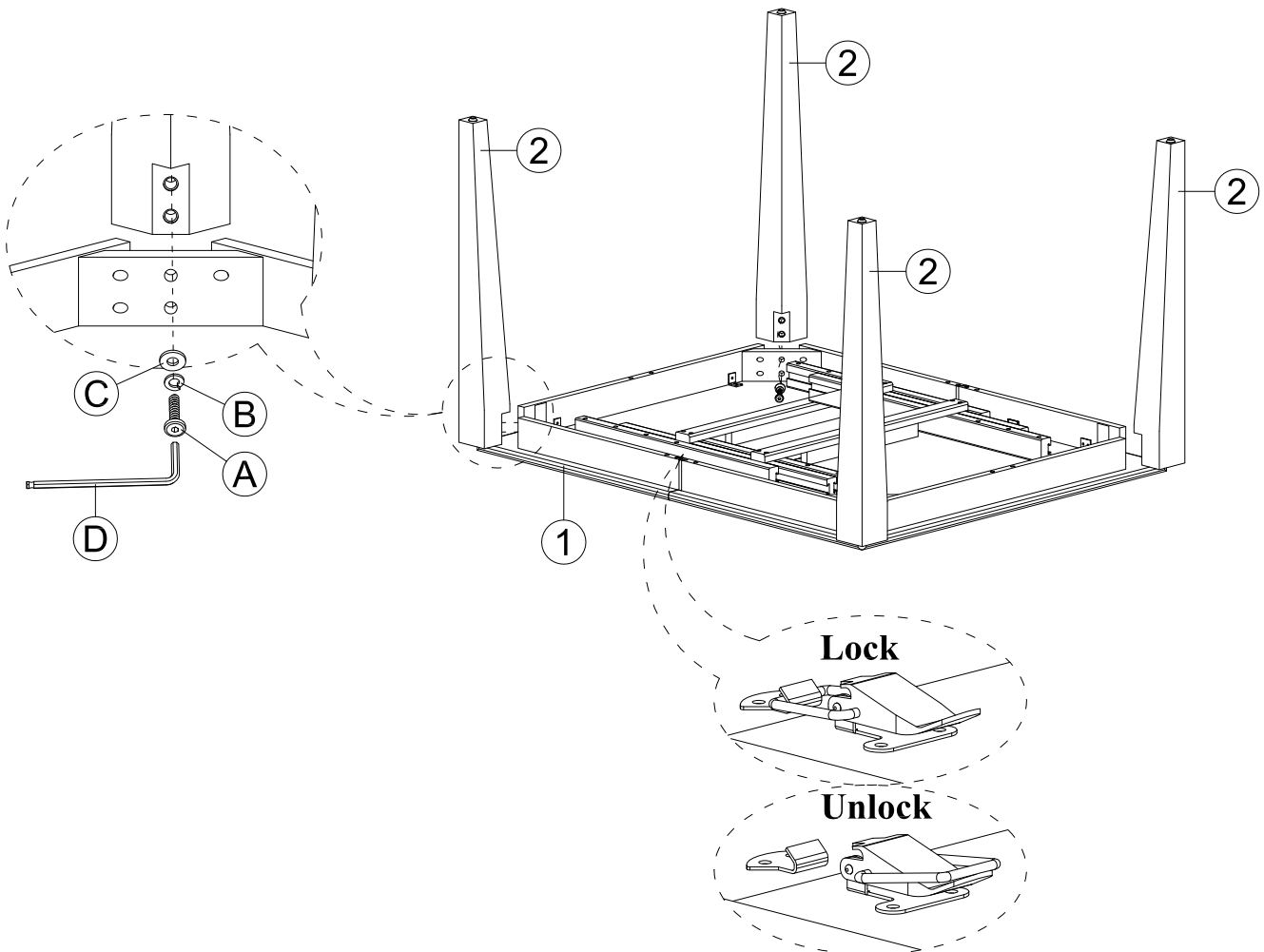
SS-TA-V3866-WMP-C

38X66 DINING TBL-NANTUCKET CHERRY / OAK / MPL

Thank you for purchasing this quality product. Be sure to check all packing material carefully for small parts that may have come loose inside the carton during shipment. Identify and count all hardware and compare with the hardware list below. Keep all hardware out of reach of children.

Parts List		
#		QTY
1	Table Top	1
2	Table Leg	4
3	Extension Leaf	1

Hardware List				
#			SIZE	QTY
A	Bolt		M8 x 70	8
B	Lock Washer			8
C	Washer			8
D	Allen Wrench			1
	Allen Wrench			1



ASSEMBLY INSTRUCTION

ITEM NO: SS-TA-V3866-BCH-C

SS-TA-V3866-GRO-C

SS-TA-V3866-WMP-C

38X66 DINING TBL-NANTUCKET CHERRY / OAK / MPL

