

ASSEMBLY INSTRUCTION

ITEM NO: SS-CA-V5036-BCH-C



SS-CA-V5036-GRO-C

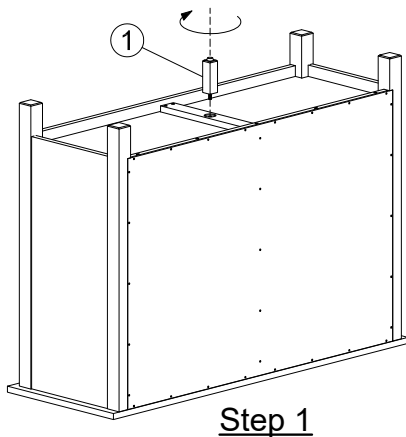
SS-CA-V5036-WMP-C

SERVER-NANTUCKET CHERRY / OAK / MAPLE

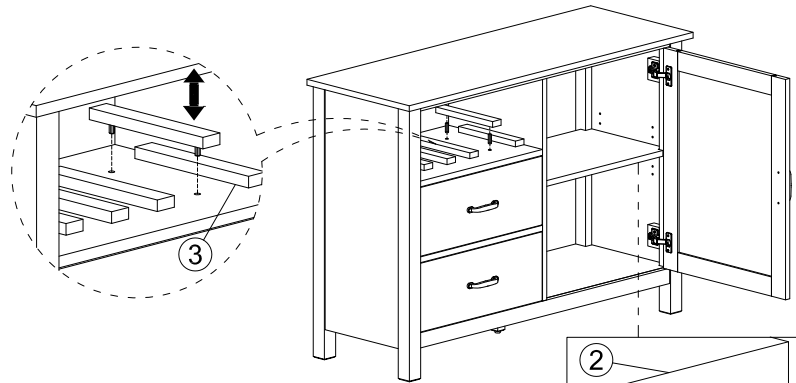
Thank you for purchasing this quality product. Be sure to check all packing material carefully for small parts that may have come loose inside the carton during shipment. Identify and count all hardware and compare with the hardware list below. Keep all hardware out of reach of children.

Parts List		
#		QTY
1	Center Leg	1
2	Wood Shelf	1
3	Removable Wine Rack	6

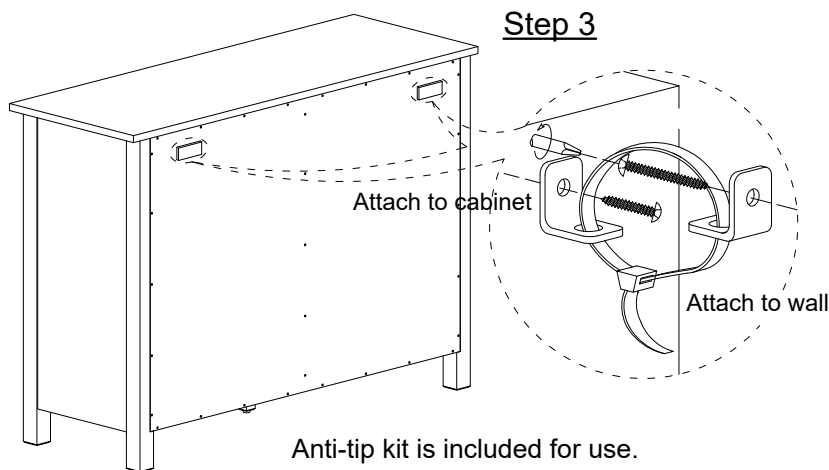
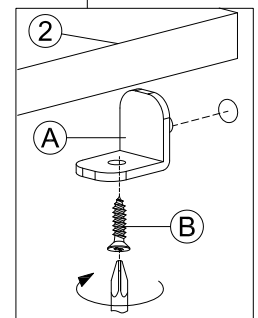
Hardware List				
#			SIZE	QTY
A	Shelf Pin			4
B	Screw			4
C	Anti Tipping Kit			2



Step 1



Step 2

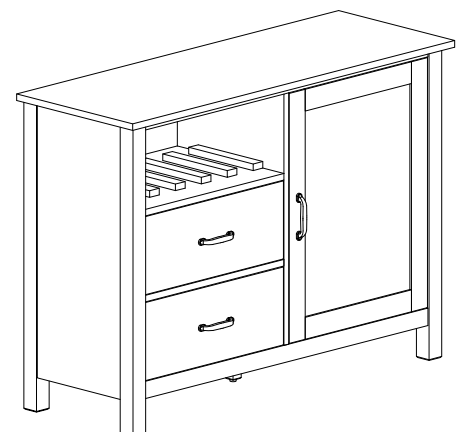


Step 3

Attach to cabinet

Attach to wall

Anti-tip kit is included for use.
We recommend installing for safety reason.



MADE IN VIETNAM