

# ASSEMBLY INSTRUCTION

ITEM NO: SS-BS-V125-BCH-K24


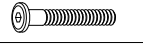






SS-BS-V125-GRO-K24

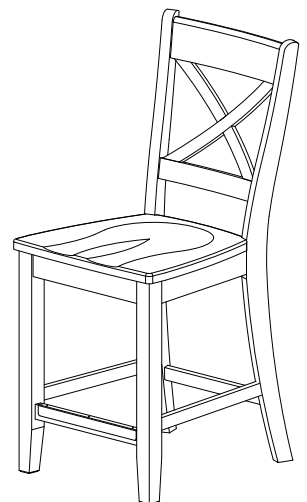
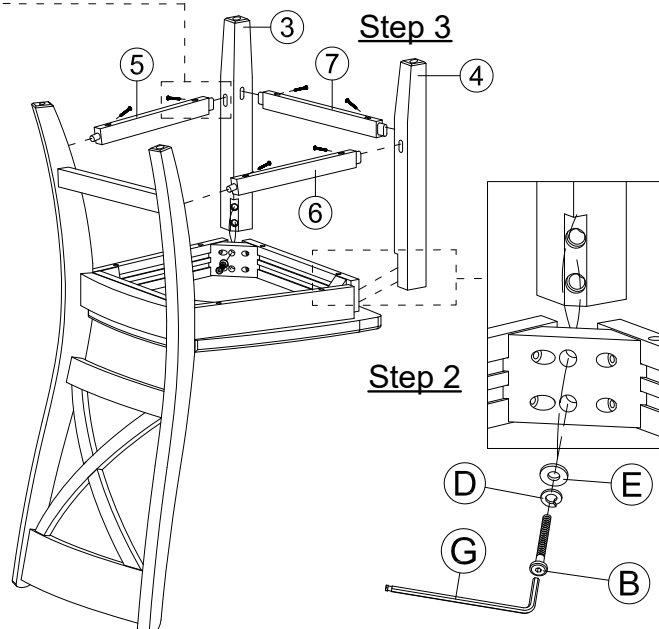
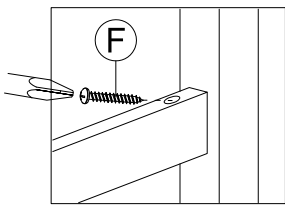
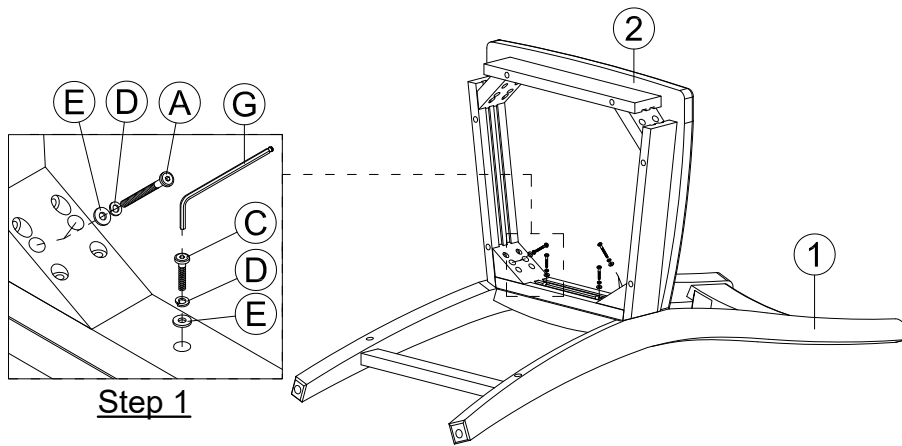
SS-BS-V125-WMP-K24

X-BACK CNTR STL-NANTUCKET CHY / OAK / MPL

Thank you for purchasing this quality product. Be sure to check all packing material carefully for small parts that may have come loose inside the carton during shipment. Identify and count all hardware and compare with the hardware list below. Keep all hardware out of reach of children.

Parts List		
#		QTY
1	Backrest	1
2	Seat Frame	1
3	Left Front Leg	1
4	Right Front Leg	1
5	Left Side Stretcher	1
6	Right Side Stretcher	1
7	Front Stretcher	1

Hardware List				
#			SIZE	QTY
A	Long Bolt		M8 x 80	4
B	Medium Bolt		M8 x 60	4
C	Short Bolt		M8 x 40	2
D	Lock Washer			10
E	Washer			10
F	Screw			6
G	Allen Wrench			1
	Allen Wrench			1



MADE IN VIETNAM