



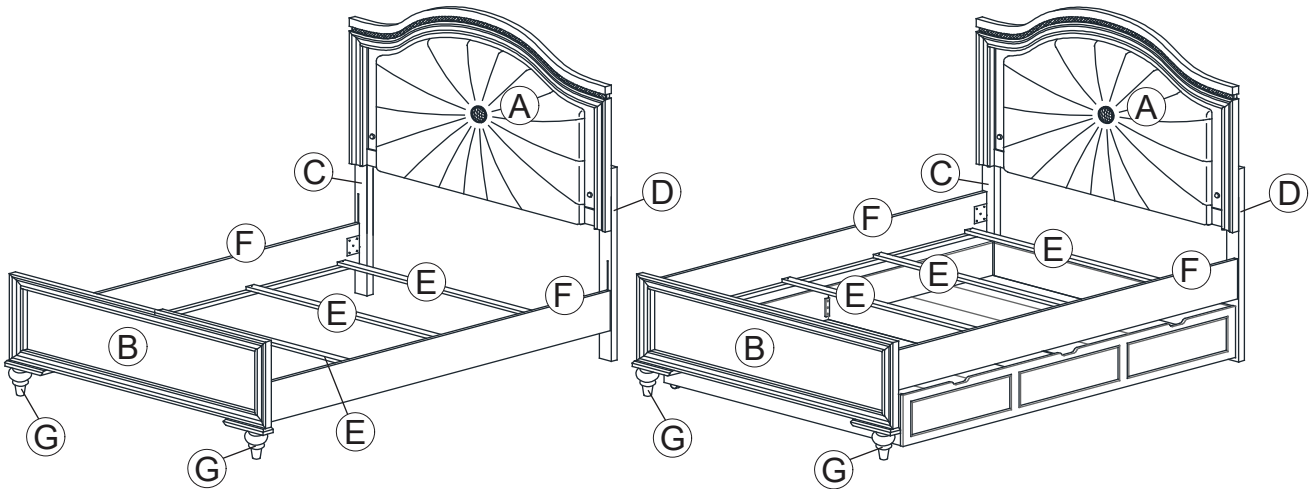
ASSEMBLY INSTRUCTION

7154 - 330 - TWIN UPHOLSTERED LIGHT UP HEADBOARD / FOOTBOARD SLATS

7154 - 350 - TWIN / FULL SIDERAIL

Thank you for purchasing this quality product. Be sure to check all packing material carefully for small parts that may have come loose inside the carton during shipment.

TOOLS REQUIRED (NOT PROVIDED):
PHILIPS SCREW DRIVER










**Assembly Complete
Without Trundle**

**Assembly Complete
With Trundle**

HARDWARE LIST

No	Description	Q'ty
1	 JCBC Nylok Bolt M6 x 35mm	6
2	 Spring Washer M6	6
3	 Flat Washer M6 x 13mm	6
4	 CSK Screw M4 x 32mm	8
5	 L Key M4	1
6	 I Key M4	1
7	 LED Adapter	1

PARTS LIST

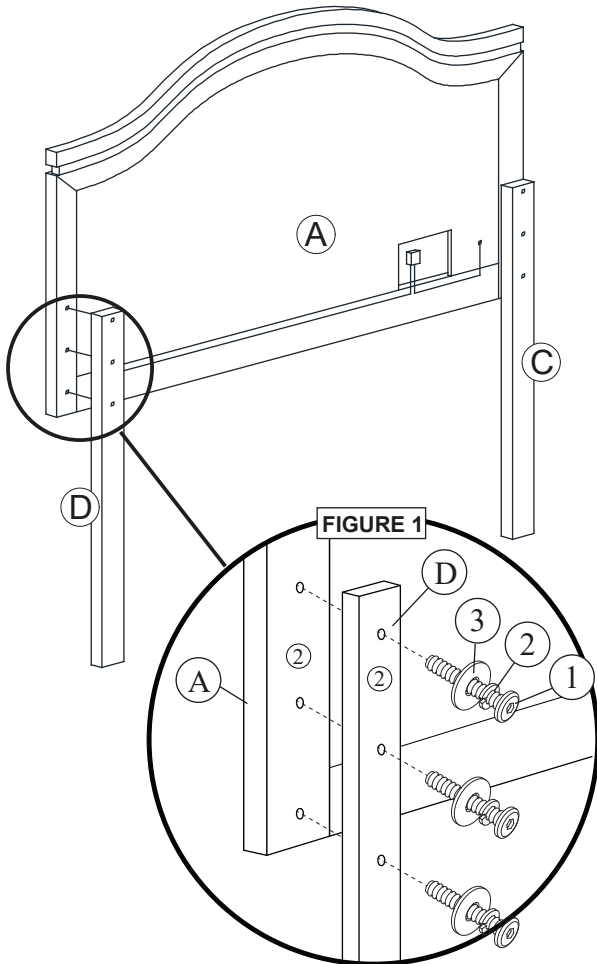
No	Description	Picture	Q'ty
A	Headboard Panel		1
B	Footboard Panel		1
C	Headboard Leg (1)		1
D	Headboard Leg (2)		1
E	Bed Slat (18mm x 45 mm x 1000 mm)		4
F	Side Rail		2
G	Bun Foot (Acrylic)		2



ASSEMBLY INSTRUCTION

7154 - 330 - TWIN UPHOLSTERED LIGHT UP HEADBOARD / FOOTBOARD SLATS
7154 - 350 - TWIN / FULL SIDERAIL

Thank you for purchasing this quality product. Be sure to check all packing material carefully for small parts that

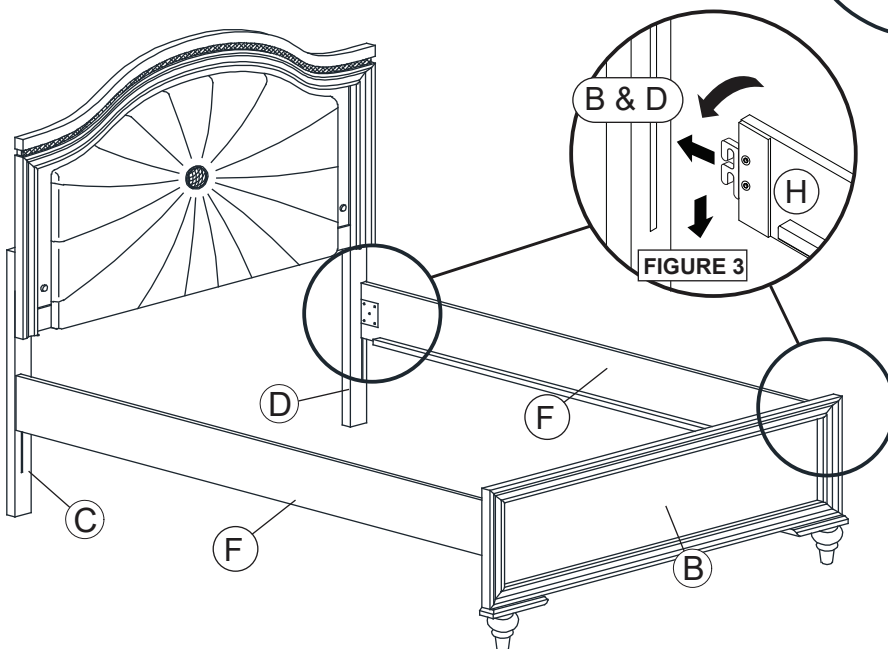
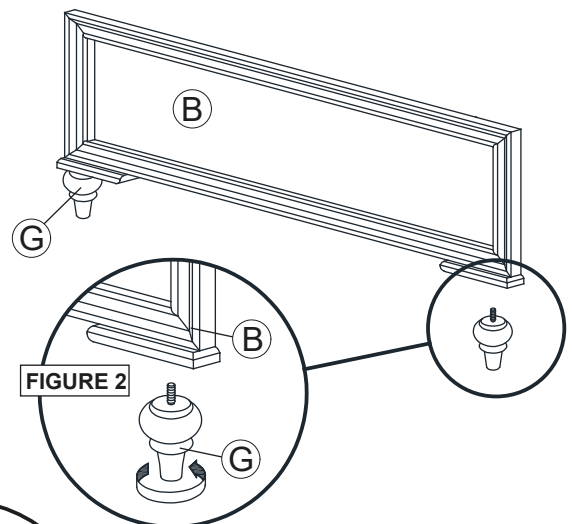


STEP 1 - FIGURE 1

Attach the legs (C) & (D) to the Headboard (A) follow by Notification Label of 1 to 1 and 2 to 2. Secure with JBBC (1), Spring Washer (2), Flat Washer (3) using L key (5) or I Key (6) provided.

STEP 2 - FIGURE 2

Secure the Bun Feet (G) to the Footboard (B) by screwing into place.



STEP 3 - FIGURE 3

Attach Side Rails (F) to Headboard Legs (C) & (D) by inserting hooks into slots. Repeat step for Footboard (B).

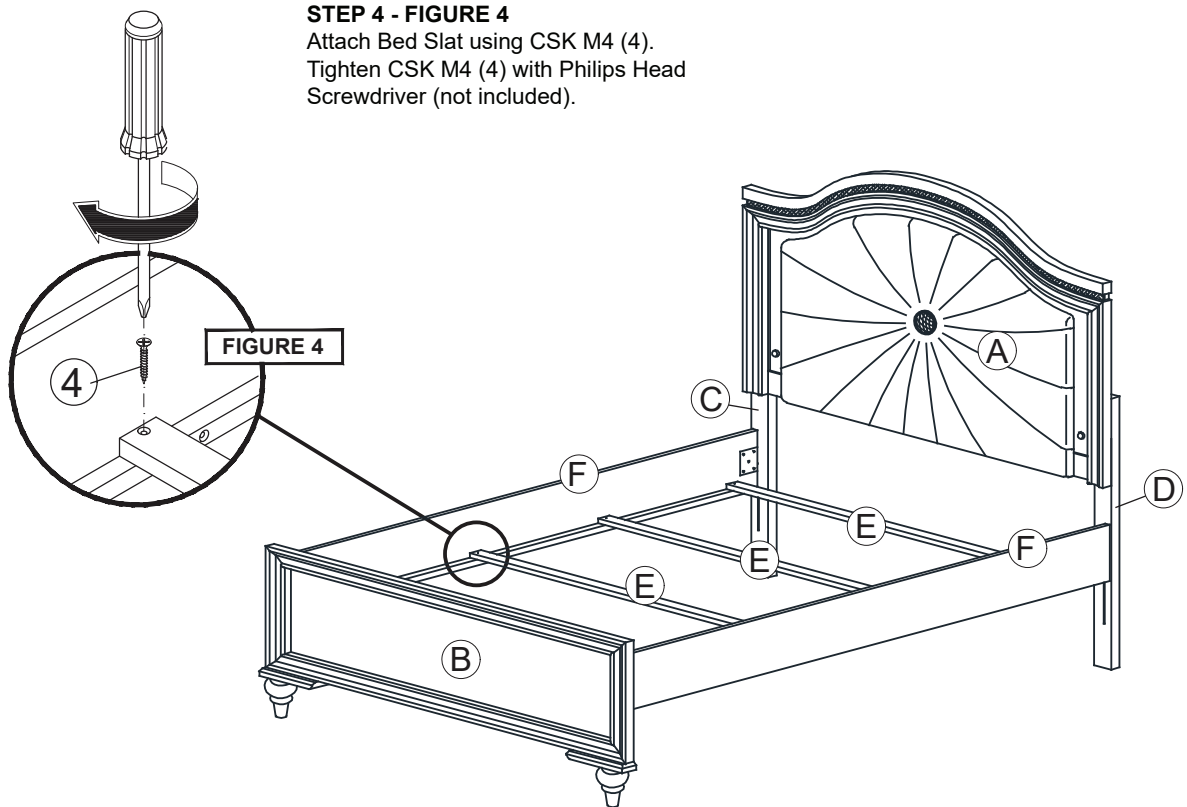


ASSEMBLY INSTRUCTION

7154 - 330 - TWIN UPHOLSTERED LIGHT UP HEADBOARD / FOOTBOARD SLATS

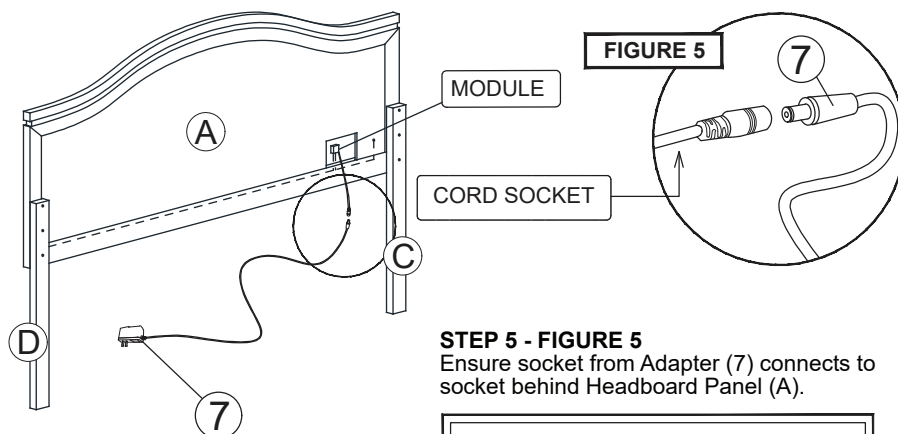
7154 - 350 - TWIN / FULL SIDERAIL

Thank you for purchasing this quality product. Be sure to check all packing material carefully for small parts that



STEP 4 - FIGURE 4

Attach Bed Slat using CSK M4 (4).
Tighten CSK M4 (4) with Philips Head
Screwdriver (not included).



STEP 5 - FIGURE 5

Ensure socket from Adapter (7) connects to
socket behind Headboard Panel (A).

Warning !

Caution ! : Please do not touch
the chrome button with wet hand.