



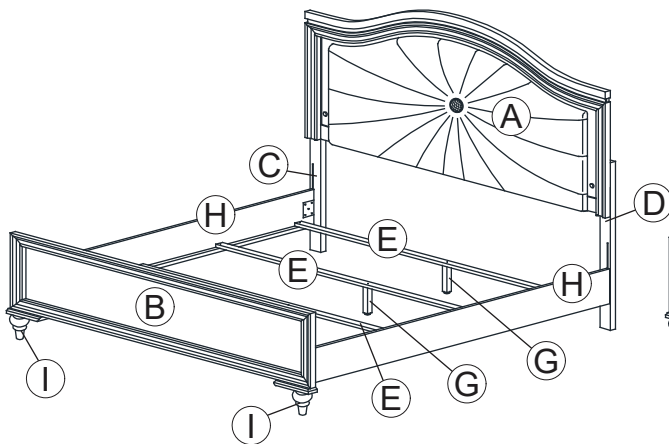
## ASSEMBLY INSTRUCTION

**7154 - 460 - FULL UPHOLSTERED LIGHT UP HEADBOARD / FOOTBOARD SLATS**

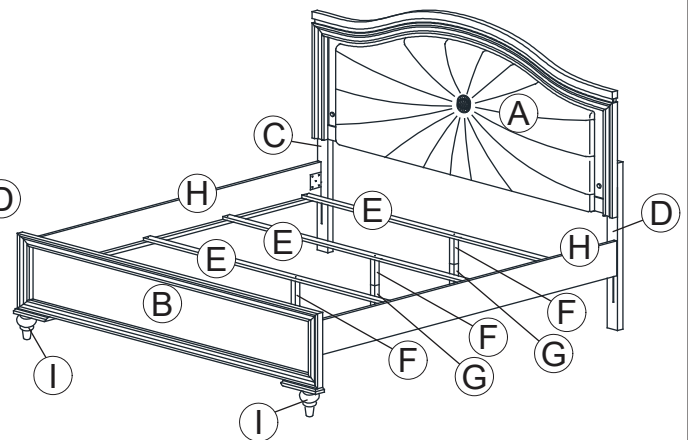
**7154 - 350 - TWIN / FULL SIDERAIL**

Thank you for purchasing this quality product. Be sure to check all packing material carefully for small parts that may have come loose inside the carton during shipment.

TOOLS REQUIRED (NOT PROVIDED):  
PHILIPS SCREW DRIVER



**Assembly Complete  
With Low Position**



**Assembly Complete  
With High Position**

### HARDWARE LIST

No	Description	Q'ty
1	JCBC Nylok Bolt M6 x 35mm	10
2	Spring Washer M6	10
3	Flat Washer M6 x 13mm	6
4	CSK Screw M4 x 32mm	8
5	L Key M4	1
6	I Key M4	1
7	LED Adapter	1

### PARTS LIST

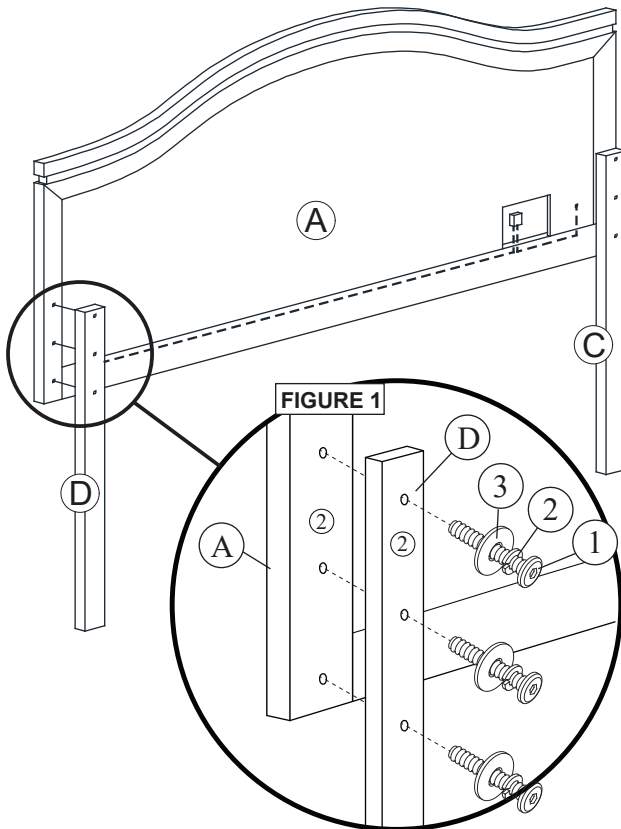
No	Description	Picture	Q'ty
A	Headboard Panel		1
B	Footboard Panel		1
C	Headboard Leg (1)		1
D	Headboard Leg (2)		1
E	Bed Slat (18mm x 45 mm x 1395 mm)		4
F	Bed Slat Top Support Leg (29mm x 29mm x 138mm)		4
G	Bed Slat Lower Support Leg (29mm x 29mm x 155mm)		4
H	Side Rail		2
I	Bun Foot (Acrylic)		2



# ASSEMBLY INSTRUCTION

7154 - 460 - FULL UPHOLSTERED LIGHT UP HEADBOARD / FOOTBOARD SLATS  
7154 - 350 - TWIN / FULL SIDERAIL

Thank you for purchasing this quality product. Be sure to check all packing material carefully for small parts that

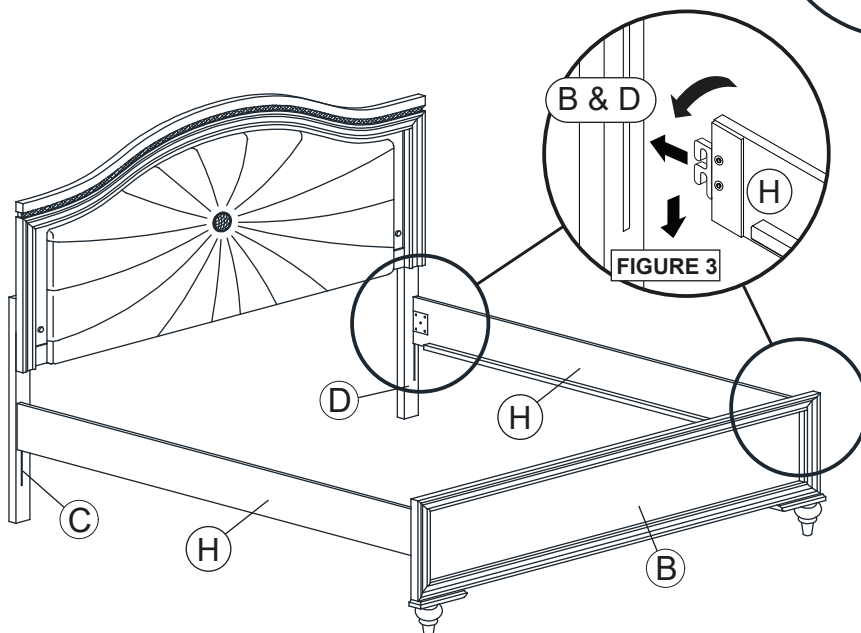
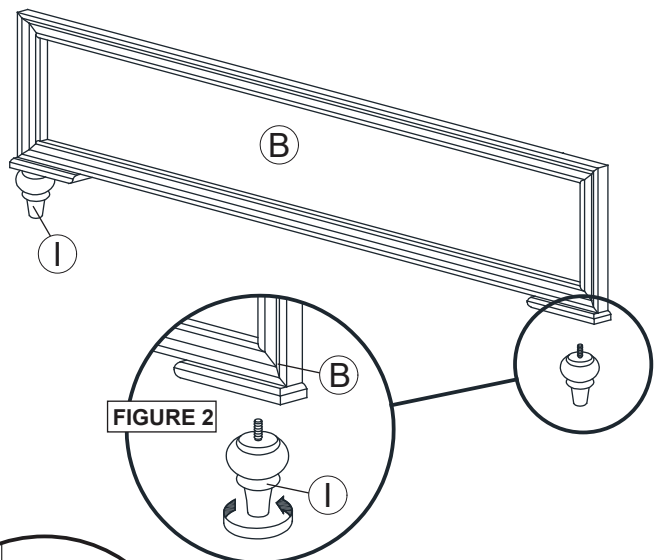


### STEP 1 - FIGURE 1

Attach the legs (C) & (D) to the Headboard (A) follow by Notification Label of 1 to 1 and 2 to 2. Secure with JCB (1), Spring Washer (2), Flat Washer (3) using L key (5) or I Key (6) provided.

### STEP 2 - FIGURE 2

Secure the Bun Feet (I) to the Footboard (B) by screwing into place.



### STEP 3 - FIGURE 3

Attach Side Rails (H) to Headboard Legs (C) & (D) by inserting hooks into slots. Repeat step for Footboard (B).



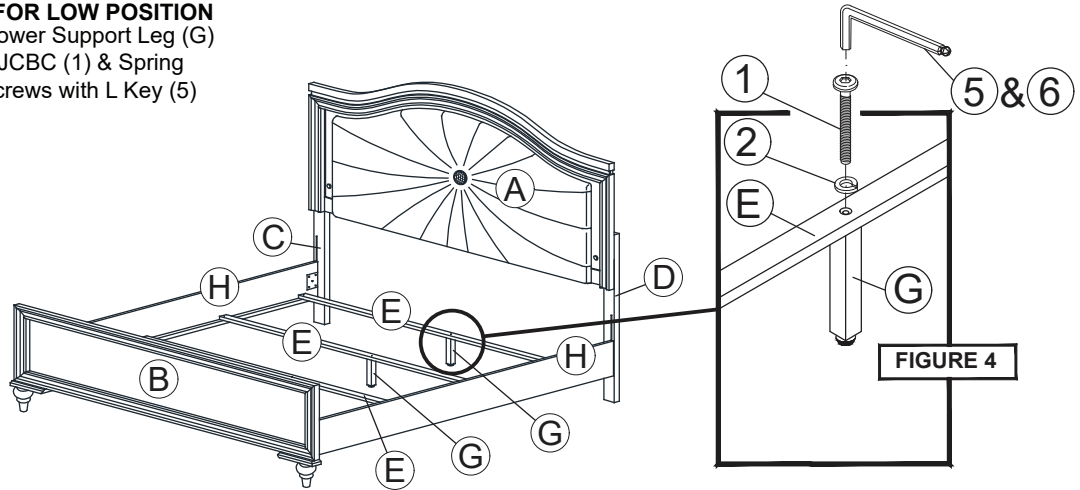
**ASSEMBLY INSTRUCTION**

**7154 - 460 - FULL UPHOLSTERED LIGHT UP HEADBOARD / FOOTBOARD SLATS**  
**7154 - 350 - TWIN / FULL SIDERAIL**

Thank you for purchasing this quality product. Be sure to check all packing material carefully for small parts that

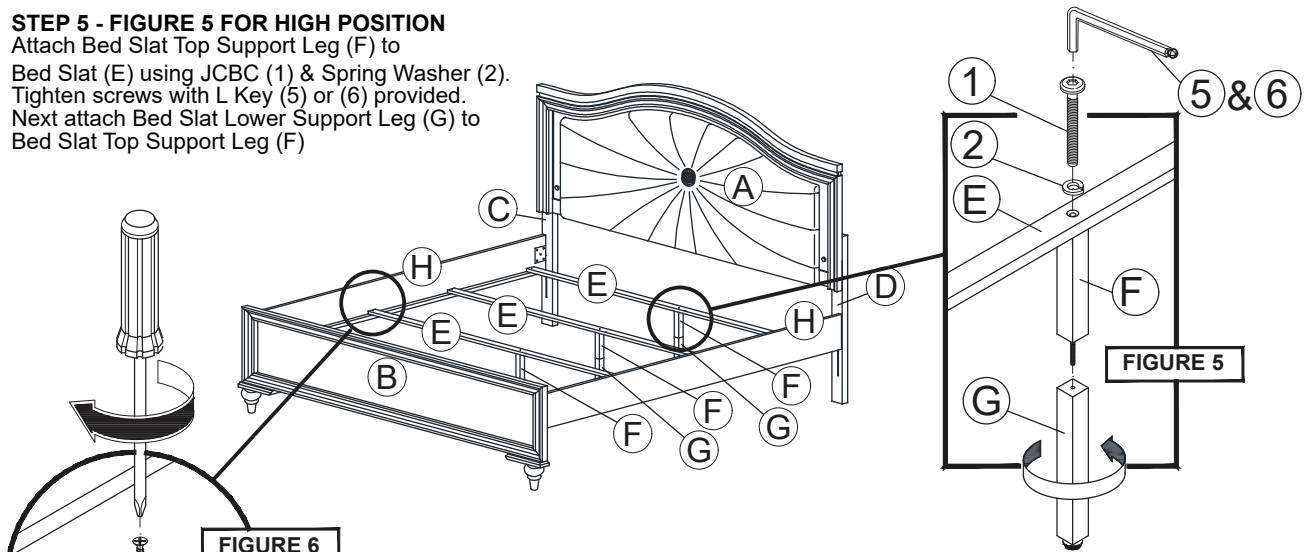
**STEP 4 - FIGURE 4 FOR LOW POSITION**

Attach the Bed Slat Lower Support Leg (G) to Bed Slat (E) using JCBC (1) & Spring Washer (2). Tighten screws with L Key (5) or (6) provided.



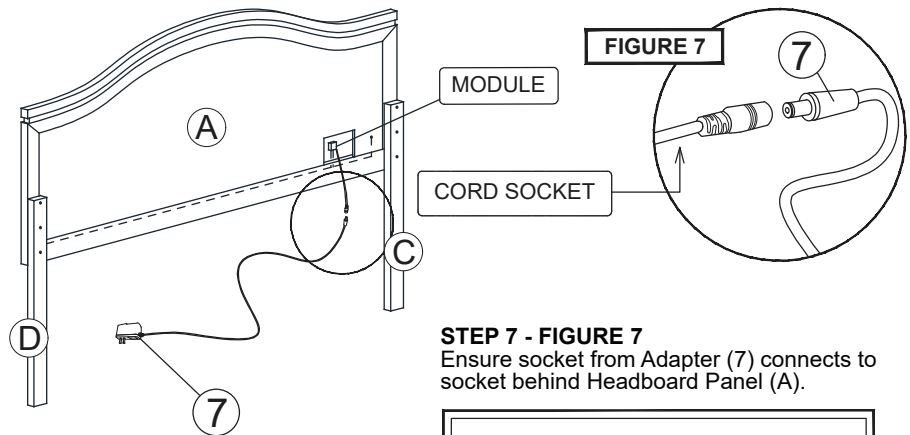
**STEP 5 - FIGURE 5 FOR HIGH POSITION**

Attach Bed Slat Top Support Leg (F) to Bed Slat (E) using JCBC (1) & Spring Washer (2). Tighten screws with L Key (5) or (6) provided. Next attach Bed Slat Lower Support Leg (G) to Bed Slat Top Support Leg (F)



**STEP 6 - FIGURE 6**

Attach Bed Slat using CSK M4 (4). Tighten CSK M4 (4) with Philips Head Screwdriver (not included).



**STEP 7 - FIGURE 7**

Ensure socket from Adapter (7) connects to socket behind Headboard Panel (A).

**Warning !**

**Caution ! : Please do not touch the chrome button with wet hand.**