



ASSEMBLY INSTRUCTION

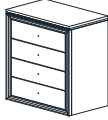


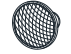
7154-785 CHEST- SOPHIA

Thank you for purchasing this quality product. Be sure to check all packing material carefully for small parts that may have come loose inside the carton during shipment.


TOOLS REQUIRED (NOT PROVIDED):
PHILIPS SCREW DRIVER

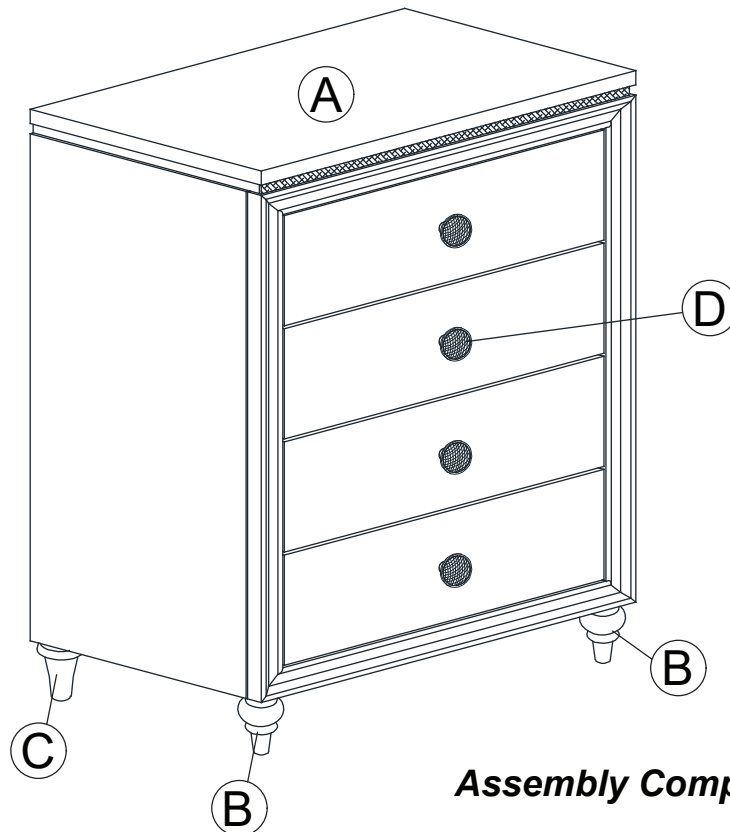


PART LIST

| No. | Description | Picture | Q'ty |
|-----|--------------------------|---|------|
| A | Drawer Chest |  | 1 |
| B | Front Bun Foot (Acrylic) |  | 2 |
| C | Back Bun Foot (Wood) |  | 2 |
| D | Knob |  | 4 |

HARDWARE LIST

| No. | Description | Picture | Q'ty |
|-----|-------------------|---|------|
| 1 | Tip Restraint Kit |  | 1 |



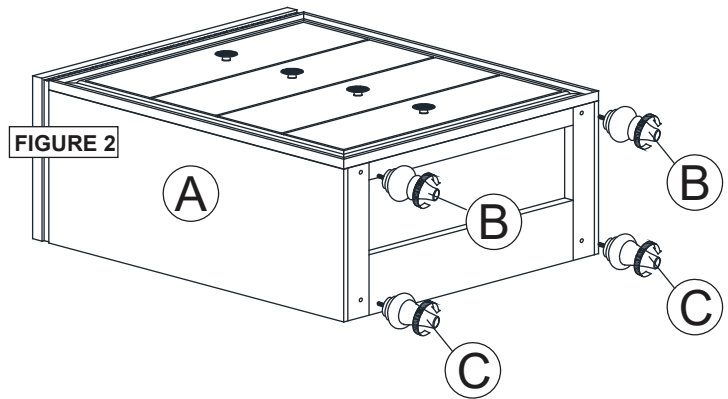
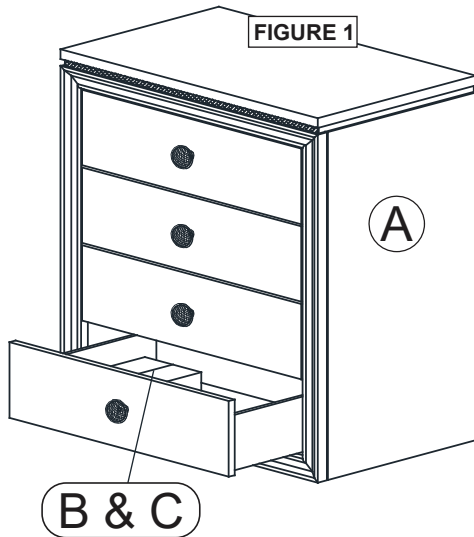
Assembly Complete

ASSEMBLY INSTRUCTION 7154-785 CHEST- SOPHIA

Thank you for purchasing this quality product. Be sure to check all packing material carefully for small parts that

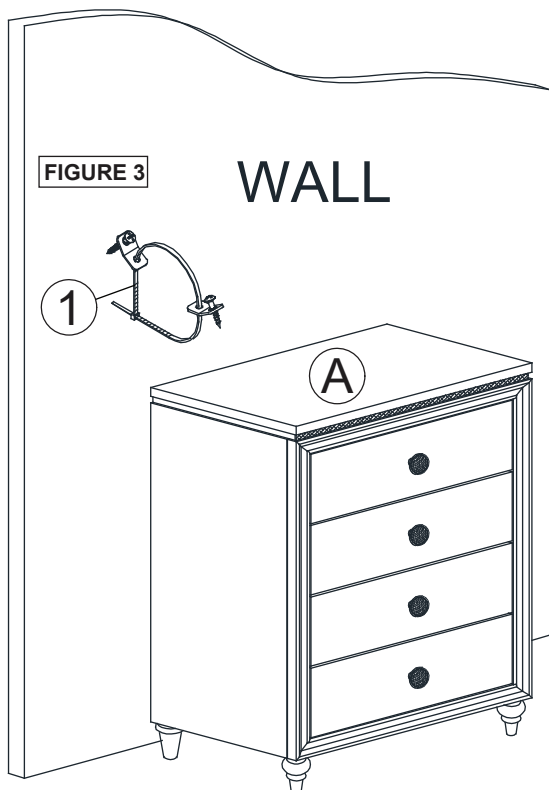
STEP 1 - FIGURE 1

Begin assembly by removing Bun Foot (B) & (C) from drawer in Chest (A).



STEP 2 - FIGURE 2

Secure Bun Feet (B) & (C) to Chest (A) by screwing into place.



STEP 3 - FIGURE 3

Attach one end of Tip Restraint Kit (1) to wall and the other end to Chest (A). The assembly is now complete.