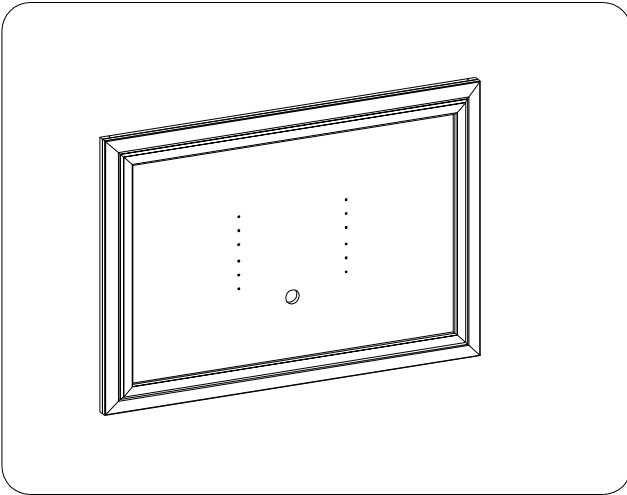
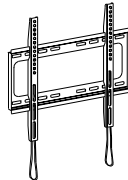




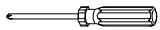
ITEM NO: IA34-487 TV PANEL MOUNT-ROSALIE CHESTNUT

Thank you for purchasing this quality product. Be sure to check all packing material carefully for small parts that may come loose inside the carton during shipment.

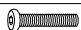






Assembly instructions for the TV mount are in the TV mount package. Follow these instructions when attaching TV mount and TV to the TV frame.




TV Mount

TOOLS REQUIRED (NOT PROVIDED)
PHILLIPS SCREWDRIVER 

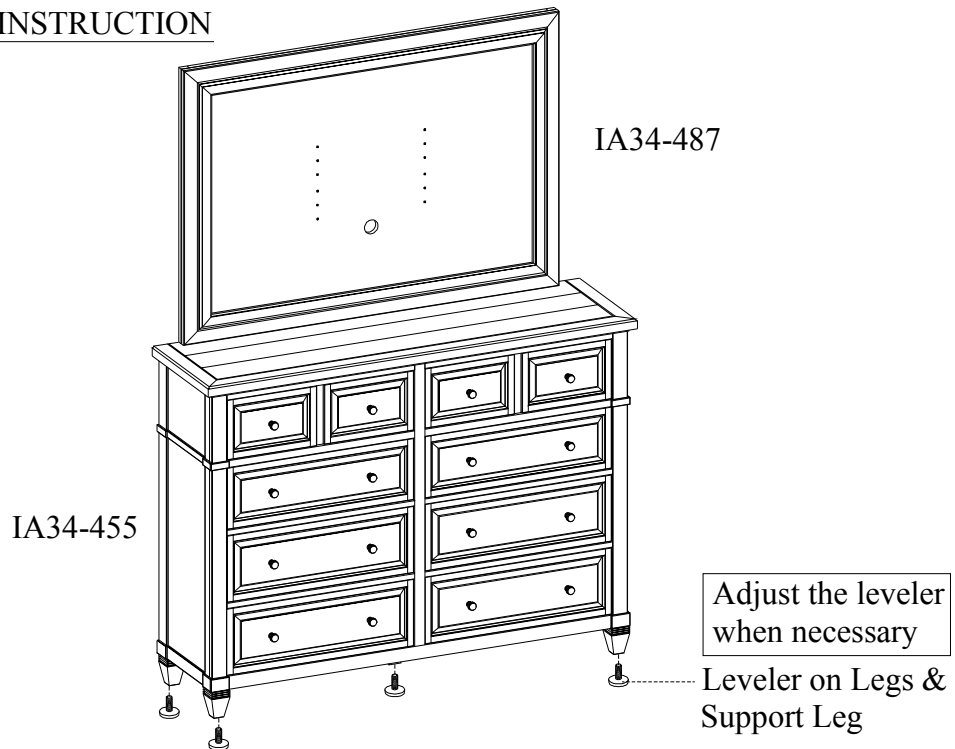
HARDWARE LIST:

No.	Description	Sketch	Quantity
A	Bolt Ø1/4"*1-1/4"		8 PCS
B	Lock Washer Ø1/4"		8 PCS
C	Flat Washer Ø1/4" *3/4"		8 PCS
D	Allen Wrench 4mm		1 SET

COMPONENTS LIST:

No.	Description	Sketch	Quantity
1	TV Frame		1 PC
2	Metal Strip		2 PCS
3	TV Mount		1 Set

FUNCTIONALITY INSTRUCTION



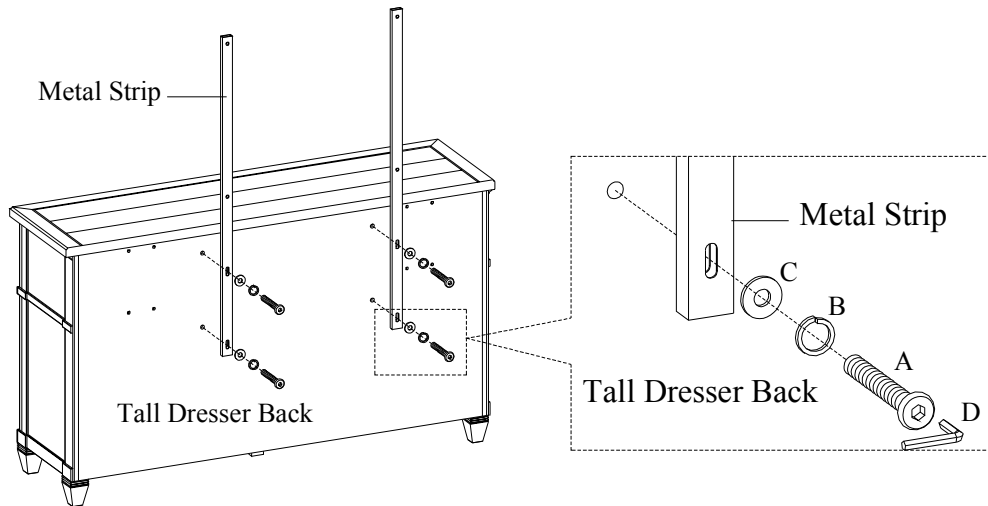
BEFORE USING THIS PRODUCT PLEASE READ, UNDERSTAND, AND FOLLOW THESE INSTRUCTIONS. Save these instructions for future reference.

FOR INDOOR USE ONLY



ITEM NO: IA34-487 TV PANEL MOUNT-ROSALIE CHESTNUT

STEP 1: Attach the metal strips to inner sets of threaded inserts on the tall dresser by using 4 bolts (A), lock washers (B) and flat washers (C). See below. Do not tighten the bolts completely.



STEP 2: Attach the metal strips to the TV frame by using 4 bolts (A), lock washers (B) and flat washers (C). Tighten all the bolts on TV frame and tall dresser with Allen wrench.

