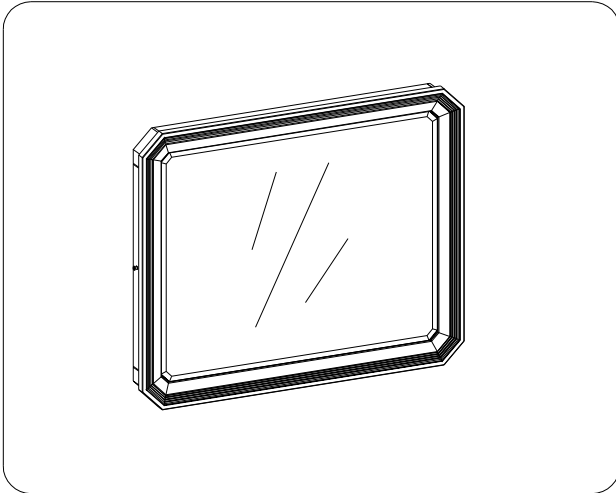




ITEM NO: IA34-463 MIRROR-W/STRG-ROSALIE CHESTNUT

Thank you for purchasing this quality product. Be sure to check all packing material carefully for small parts that may come loose inside the carton during shipment.



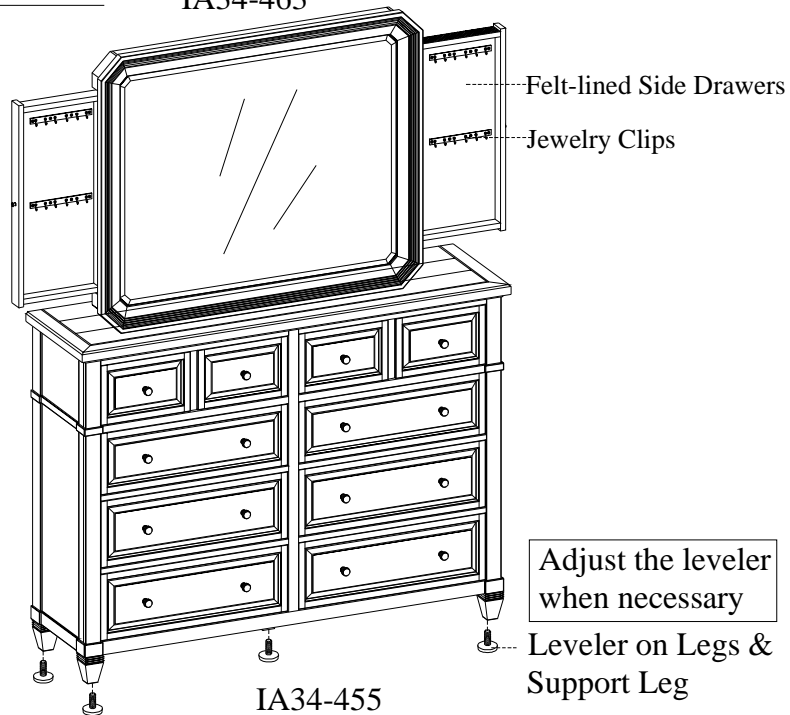
TOOLS REQUIRED (NOT PROVIDED)	
PHILLIPS SCREWDRIVER	

HARDWARE LIST:			
No.	Description	Sketch	Quantity
A	Bolt Ø1/4"*1-1/2"		8 PCS
B	Lock Washer Ø1/4"		8 PCS
C	Flat Washer Ø1/4" *3/4"		8 PCS
D	Allen Wrench 4mm		1 SET

COMPONENTS LIST:			
No.	Description	Sketch	Quantity
1	Mirror		1 PC
2	Wood Strip		2 PCS

## FUNCTIONALITY INSTRUCTION

IA34-463



BEFORE USING THIS PRODUCT PLEASE READ, UNDERSTAND, AND FOLLOW THESE INSTRUCTIONS. Save these instructions for future reference.

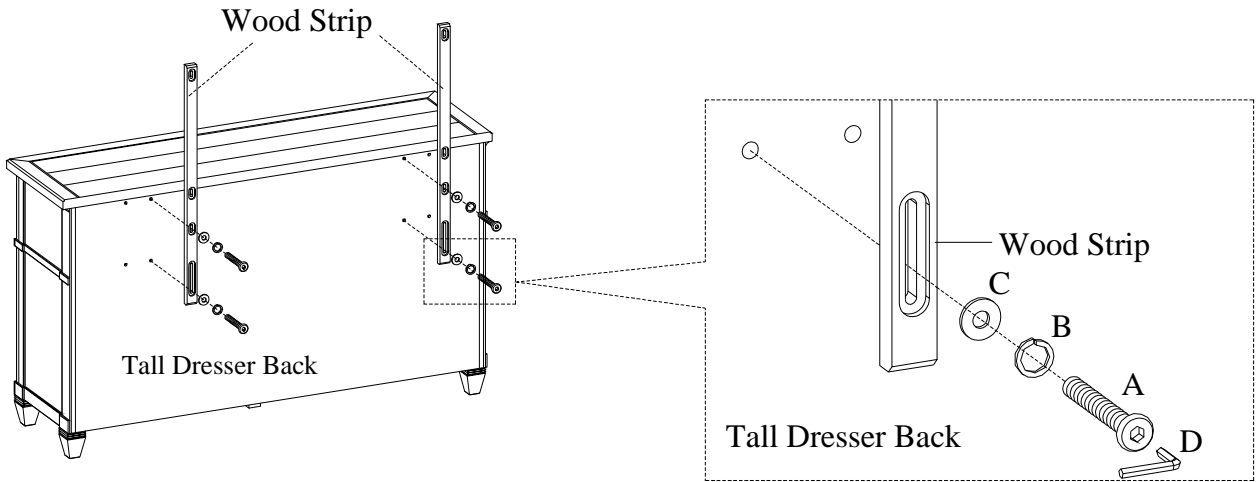
FOR INDOOR USE ONLY



ITEM NO: IA34-463

MIRROR-W/STRG-ROSALIE CHESTNUT

**STEP 1:** Attach the wood strips to inside threaded inserts on the tall dresser by using 4 bolts (A), lock washers (B) and flat washers (C). See below. Do not tighten the bolts completely.



**STEP 2:** Attach the wood strips to the mirror by using 4 bolts(A), lock washers(B), and flat washers(C). Tighten all bolts on tall dresser and mirror with Allen wrench.

