



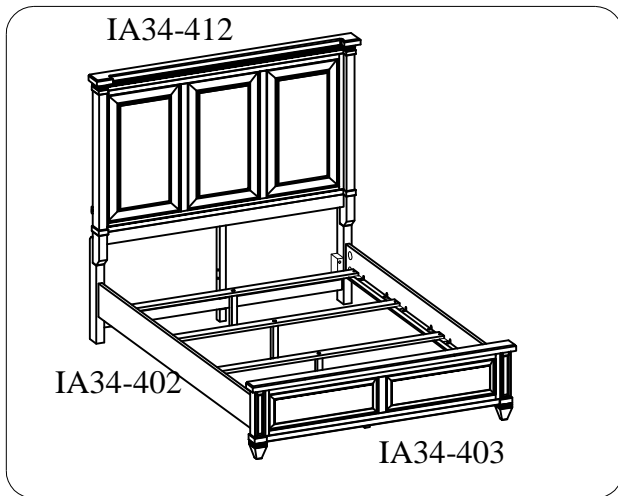
ITEM NO: IA34-412/402/403

QUEEN PANEL BED-ROSALIE CHESTNUT

Thank you for purchasing this quality product. Be sure to check all packing material carefully for small parts that may come loose inside the carton during shipment.



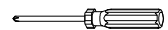
UNIT SHOULD BE INSTALLED BY 2 OR MORE PERSONS.



All Beds need to be set up in the exact final location so that after full assembly it will not need to be moved. Moving the bed will cause the support legs to move out of perpendicular (90 degree), weaken the support system, and may allow the bed to collapse.

TOOLS REQUIRED (NOT PROVIDED)

PHILLIPS SCREWDRIVER



HARDWARE LIST: IA34-412

No.	Description	Sketch	Quantity
A	Bolt Ø5/16"*2"		6 PCS
B	Bolt Ø5/16"*1-1/2"		4 PCS
C	Bolt Ø1/4"*1-1/4"		4 PCS
D	Lock Washer Ø5/16"		10 PCS
E	Flat Washer Ø5/16" *3/4"		10 PCS
F	Lock Washer Ø1/4"		4 PCS
G	Flat Washer Ø1/4" *3/4"		4 PCS
H	Allen Wrench 4mm		1 SET

HARDWARE LIST: IA34-402

No.	Description	Sketch	Quantity
I	Hanger Bolt Ø5/16"*3"		8 PCS
J	Half Moon Washer 5/16"		8 PCS
K	Hex Nut Ø5/16"		8 PCS
L	Hex Wrench 90*25*2mm		1 PC
M	Wood Screw M4*1-1/4"		8 PCS

COMPONENTS LIST: IA34-412

No.	Description	Sketch	Quantity
1	Headboard		1 PC
2	Left Leg		1 PC
3	Right Leg		1 PC
4	Wood Stretcher		1 PC
5	Center Support Leg		1 PC

COMPONENTS LIST: IA34-402

No.	Description	Sketch	Quantity
1	Bed rails		2 PCS
2	Slats		4 PCS

COMPONENTS LIST: IA34-403

No.	Description	Sketch	Quantity
1	Footboard		1 PC
2	Support leg (for slats)		4 PCS

BEFORE USING THIS PRODUCT PLEASE READ, UNDERSTAND, AND FOLLOW THESE INSTRUCTIONS. Save these instructions for future reference.

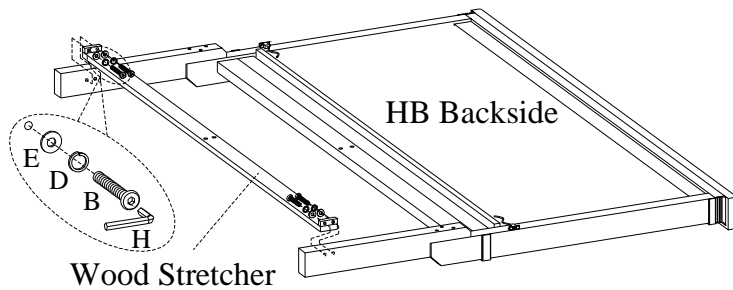
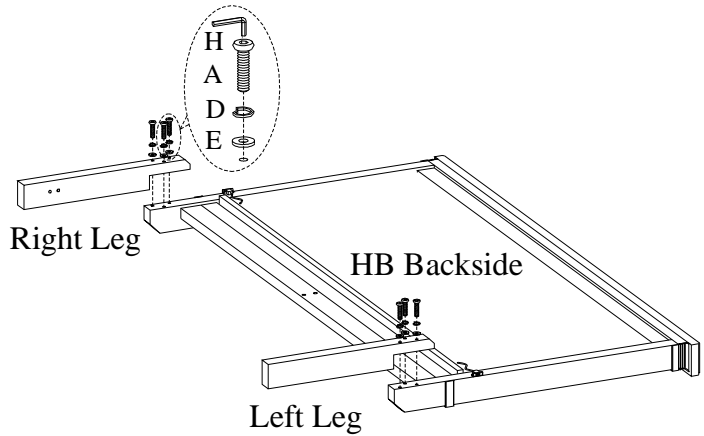
FOR INDOOR USE ONLY



ITEM NO: IA34-412/402/403

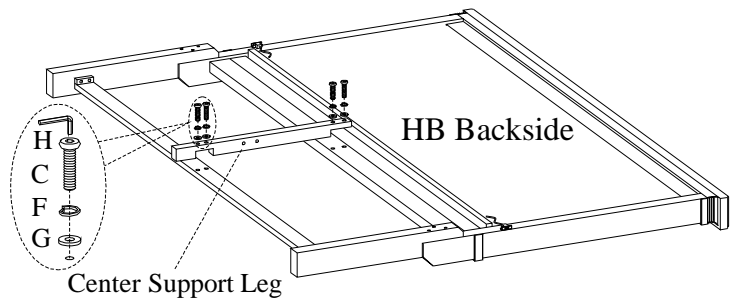
QUEEN PANEL BED-ROSALIE CHESTNUT

STEP 1: Put the headboard face down on a soft surface. Attach the left leg and right leg to headboard by using 6 bolts(A), lock washers(D) and flat washers(E).

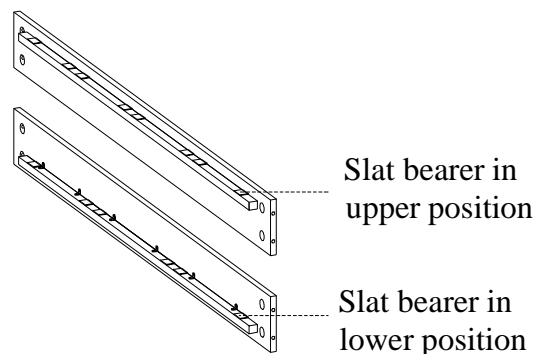


STEP 2: Attach the wood stretcher to the legs by using 4 bolts(B), lock washers(D) and flat washers(E).

STEP 3: Attach the center support leg to headboard and wood stretcher by using 4 bolts(C), lock washers(F) and flat washers(G).



STEP 4: The side rails may be used on either side. Arrange the side rails so the slat bearers are in LOWER POSITION prior to attachment in STEP 5.

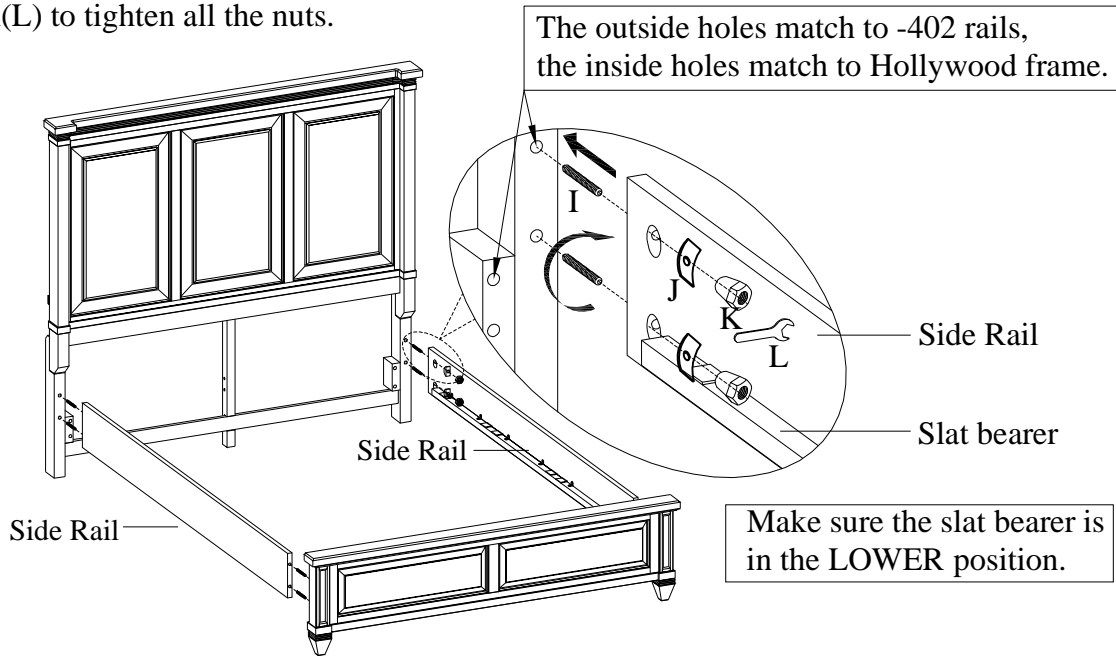




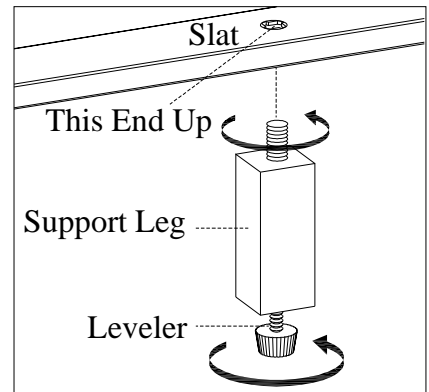
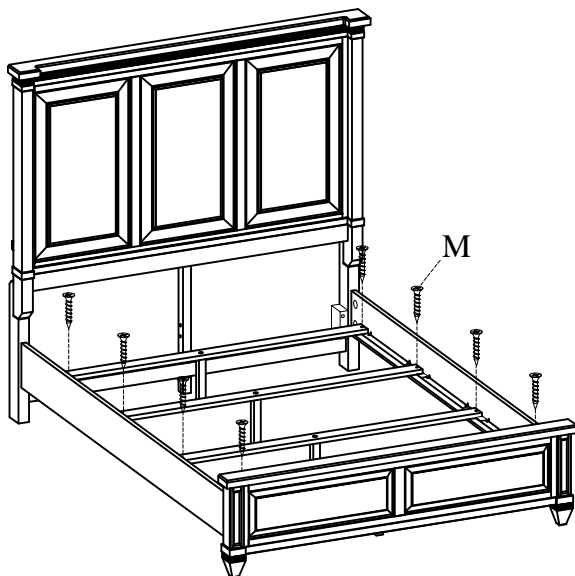
ITEM NO: IA34-412/402/403

QUEEN PANEL BED-ROSALIE CHESTNUT

STEP 5: Screw the bolts(I) into HB & FB. Align the bolts with the holes in the end of side rails and attach the side rails to HB & FB using half moon washers (J) and nuts (K). Then use a hex wrench(L) to tighten all the nuts.



STEP 6: Attach the support legs with leveler to the slats. Adjust the levelers on bottom of support legs when necessary.



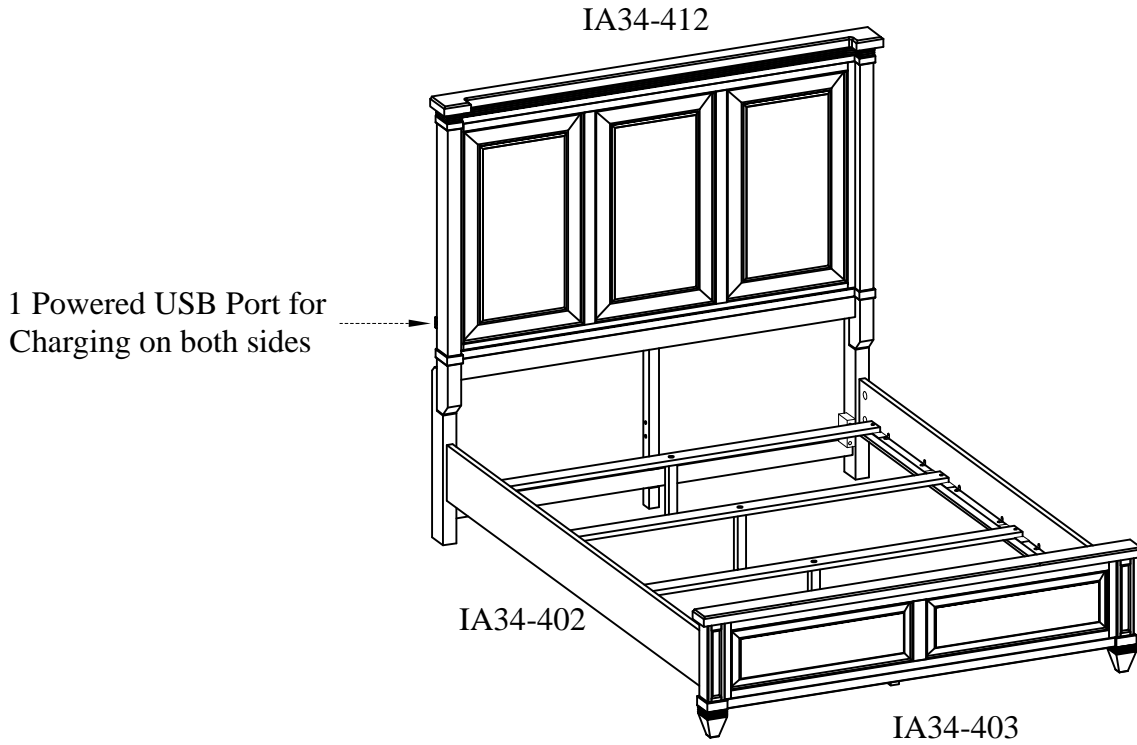
STEP 7: Place the slats in the right position marked by the spacer blocks and attach slats to the slat bearers with wood screws (M).



ITEM NO: IA34-412/402/403

QUEEN PANEL BED-ROSALIE CHESTNUT

FUNCTIONALITY INSTRUCTION





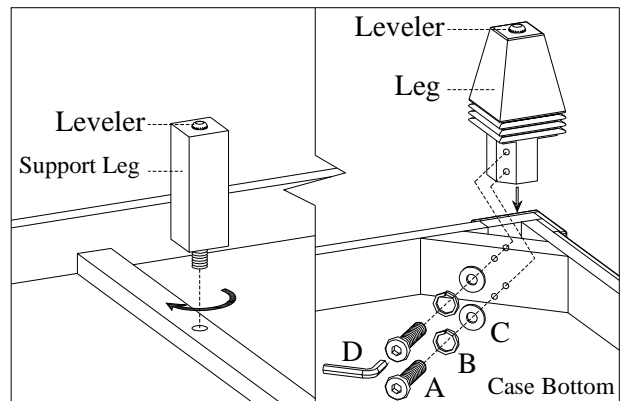
ITEM NO: IA34-455 TALL DRESSER-ROSALIE CHESTNUT

Thank you for purchasing this quality product. Be sure to check all packing material carefully for small parts that may come loose inside the carton during shipment.

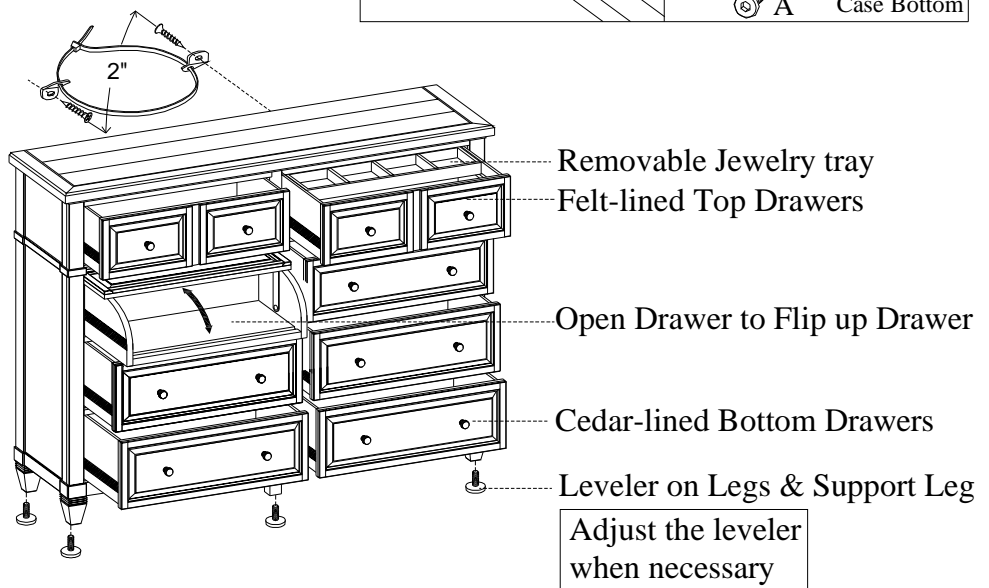


TOOLS REQUIRED (NOT PROVIDED)			
PHILLIPS SCREWDRIVER			
COMPONENTS LIST:			
No.	Description	Sketch	Quantity
1	Case		1 PC
2	Leg		4 PCS
3	Support Leg		1 PC
HARDWARE LIST:			
No.	Description	Sketch	Quantity
A	Bolt Ø5/16" x 1-3/4"		8 PCS
B	Lock Washer Ø5/16"		8 PCS
C	Flat Washer Ø5/16" *5/8"		8 PCS
D	Allen Wrench 4mm		1 SET
	Tipping Restraint Hardware		1 SET

STEP 1: Put the case upside down on a soft surface, Attach the legs and support leg to the bottom of case by using 8 bolts(A), lock washers(B) and flat washers(C). Return the case to the upright position.



FUNCTIONALITY INSTRUCTION



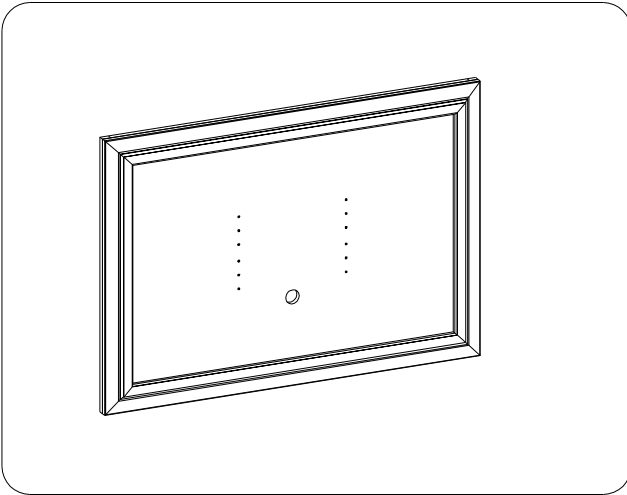
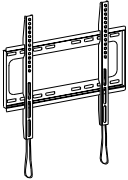
BEFORE USING THIS PRODUCT PLEASE READ, UNDERSTAND, AND FOLLOW THESE INSTRUCTIONS. Save these instructions for future reference.

FOR INDOOR USE ONLY



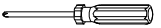
ITEM NO: IA34-487 TV PANEL MOUNT-ROSALIE CHESTNUT

Thank you for purchasing this quality product. Be sure to check all packing material carefully for small parts that may come loose inside the carton during shipment.








Assembly instructions for the TV mount are in the TV mount package. Follow these instructions when attaching TV mount and TV to the TV frame.


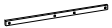

TV Mount

TOOLS REQUIRED (NOT PROVIDED)
PHILLIPS SCREWDRIVER 

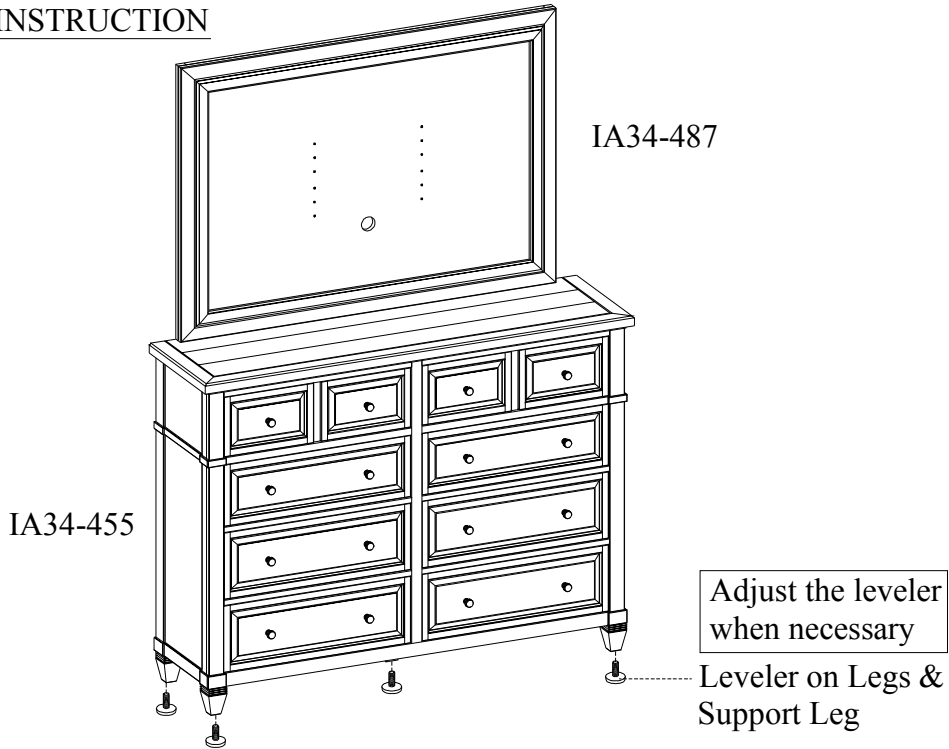
HARDWARE LIST:

No.	Description	Sketch	Quantity
A	Bolt Ø1/4"*1-1/4"		8 PCS
B	Lock Washer Ø1/4"		8 PCS
C	Flat Washer Ø1/4" *3/4"		8 PCS
D	Allen Wrench 4mm		1 SET

COMPONENTS LIST:

No.	Description	Sketch	Quantity
1	TV Frame		1 PC
2	Metal Strip		2 PCS
3	TV Mount		1 Set

FUNCTIONALITY INSTRUCTION

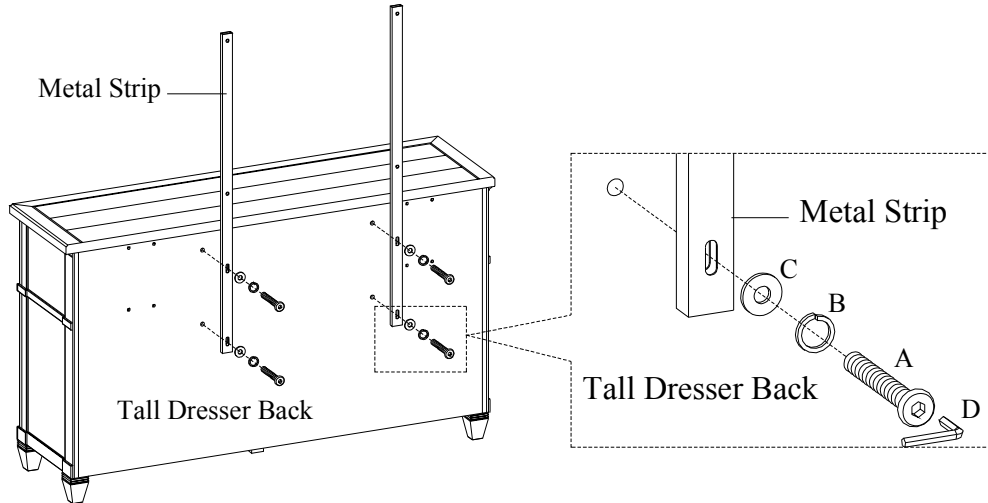


BEFORE USING THIS PRODUCT PLEASE READ, UNDERSTAND, AND FOLLOW THESE INSTRUCTIONS. Save these instructions for future reference. **FOR INDOOR USE ONLY**



ITEM NO: IA34-487 TV PANEL MOUNT-ROSALIE CHESTNUT

STEP 1: Attach the metal strips to inner sets of threaded inserts on the tall dresser by using 4 bolts (A), lock washers (B) and flat washers (C). See below. Do not tighten the bolts completely.



STEP 2: Attach the metal strips to the TV frame by using 4 bolts (A), lock washers (B) and flat washers (C). Tighten all the bolts on TV frame and tall dresser with Allen wrench.

