



AMERICAN SIGNATURE, INC.



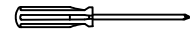
ASSEMBLY INSTRUCTIONS

ITEM NO: OB8314-54 Queen Panel Bed-Harrison Gray
ITEM NO: OB8329-54 Queen Panel Bed-Harrison Chalk

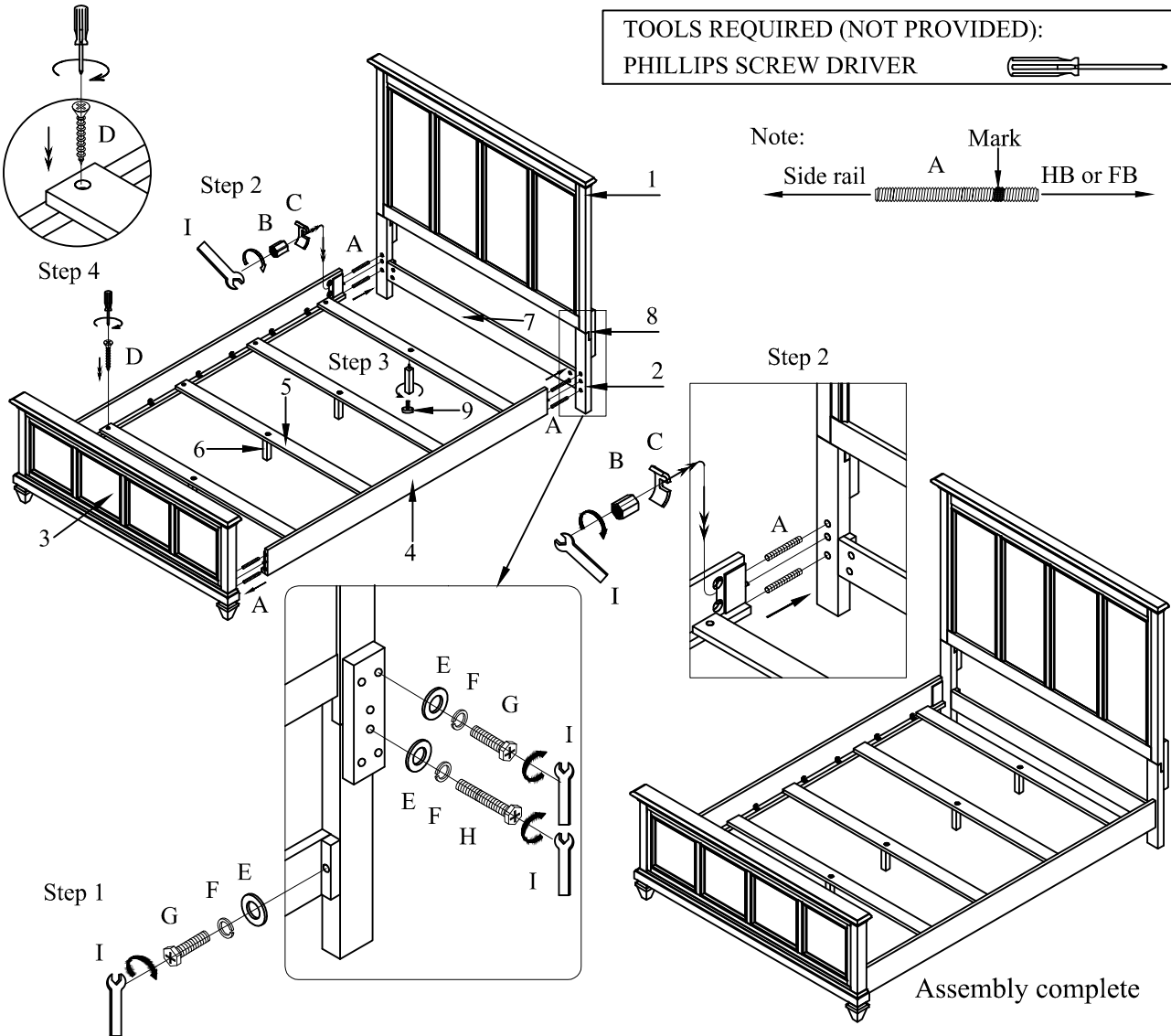
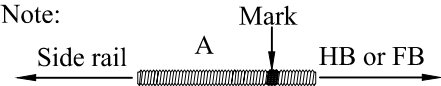
Thank you for purchasing this quality product. Be sure to check all packing material carefully for small parts that may have come loose inside the carton during shipment.

TOOLS REQUIRED (NOT PROVIDED):

PHILLIPS SCREW DRIVER



Note:



Assembly complete

HARDWARE LIST

No.	Description		Q'ty
A		Bolt $\Phi 5/16" \times 4-1/2" L$	8
B		Nut $\Phi 5/16" \times 17mm$	8
C		Lock washer "C" $\Phi 5/16" \times 36 \times 14 \times 3mm$	8
D		Screw #4*25	8
E		Flat washer $\Phi 5/16" \times 19 \times 2mm$	14
F		Lock washer $\Phi 5/16" \times 13 \times 2mm$	14
G		Bolt $\Phi 5/16" \times 2" L$	10
H		Bolt $\Phi 5/16" \times 3-1/4mm$	4
I		Wrench #L CKM 12mm	1

PARTS LIST

No.	Description	Picture	Q'ty
1	Headboard		1
2	Left & Right Leg		2
3	Footboard		1
4	Side rail		2
5	Slat (1545mm x 76mm x 18mm)		4
6	Slat support (211mm x 34mm x 34mm)		4
7	Bottom rail		1
8	Mending Plate		2
9	Leveler		4

MADE IN VIETNAM



AMERICAN SIGNATURE, INC.



ASSEMBLY INSTRUCTIONS

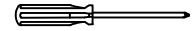
ITEM NO: OB8314-20 Drawer Dresser-Harrison Gray

ITEM NO: OB8329-20 Drawer Dresser-Harrison Chalk

Thank you for purchasing this quality product. Be sure to check all packing material carefully for small parts that may have come loose inside the carton during shipment.

TOOLS REQUIRED (NOT PROVIDED):

PHILLIPS SCREW DRIVER

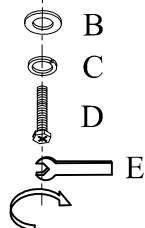
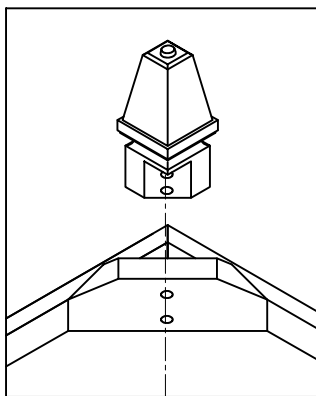
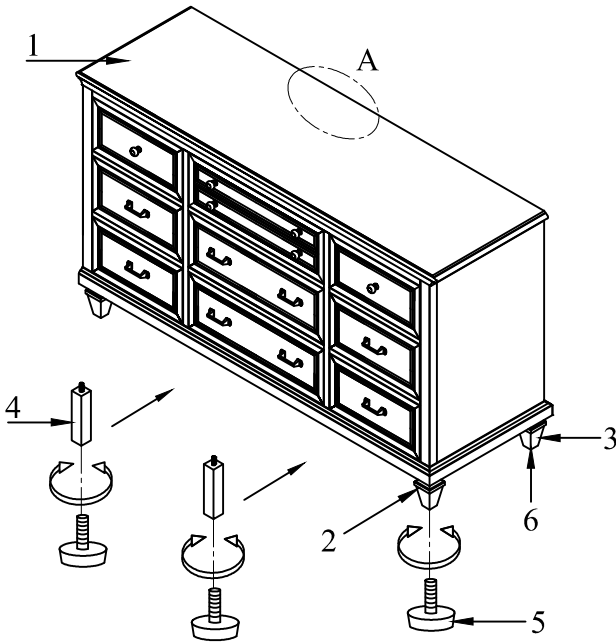


HARDWARE LIST

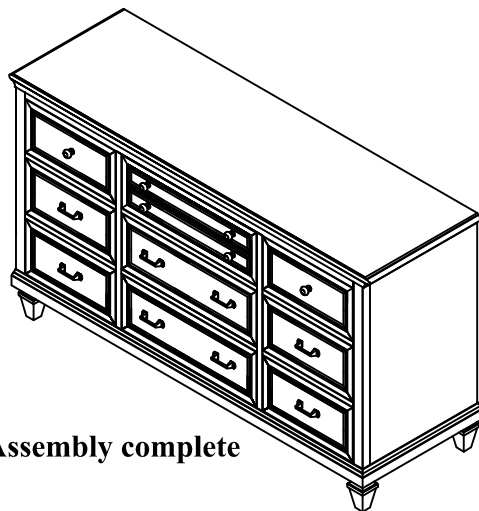
No.	Description		Q'ty
A		Tilt kit bracket	1
B		Flat washer $\Phi 5/16'' \times 19 \times 2\text{mm}$	8
C		Lock washer $\Phi 5/16'' \times 12 \times 2\text{mm}$	8
D		Bolt $\Phi 5/16'' \times 2-3/4''\text{L}$	8
E		Wrench #L CKM 12mm	1

PART LIST

No.	Description	Picture	Q'ty
1	Drawer dresser		1
2	Front foot		2
3	Back foot		2
4	Support leg		2
5	Leveler		4
6	Floor glide		2



Assembly complete



MADE IN VIETNAM



AMERICAN SIGNATURE, INC.

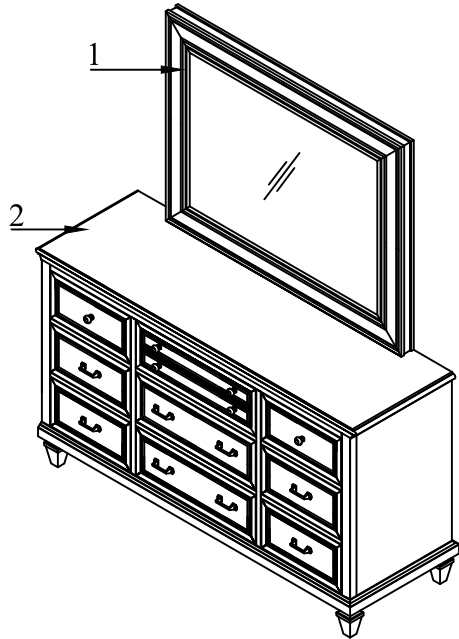
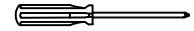


ASSEMBLY INSTRUCTIONS
ITEM NO: OB8314-40 Mirror-Harrison Gray
ITEM NO:OB8329-40 Mirror-Harrison Chalk

Thank you for purchasing this quality product. Be sure to check all packing material carefully for small parts that may have come loose inside the carton during shipment.

TOOLS REQUIRED (NOT PROVIDED):

PHILLIPS SCREW DRIVER

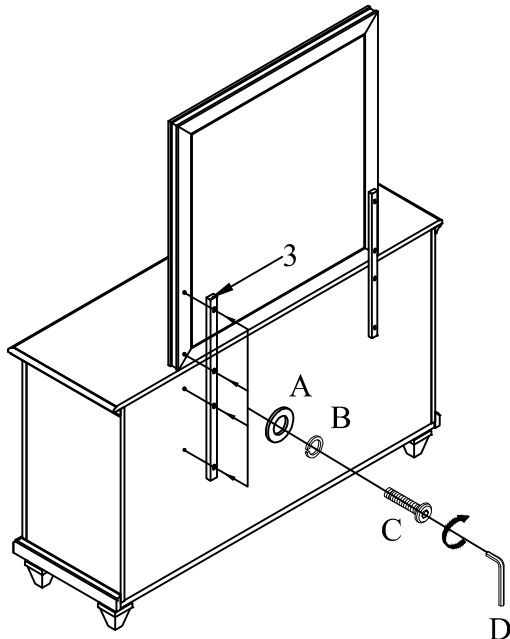


HARDWARE LIST

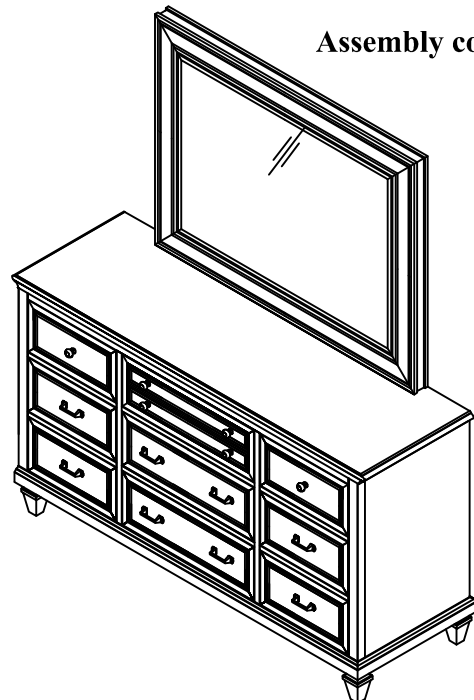
No.	Description			Q'ty
A		Flat washer	Φ 1/4"*16*2mm	8
B		Lock washer	Φ 1/4"*11*2mm	8
C		Bolt	Φ 1/4"*2"L	8
D		Allen Key	4mm	1
E		Straight allen key	4"L	1

PART LIST

No.	Description	Picture	Q'ty
1	Mirror		1
2	Dresser		1
3	Support		2



Assembly complete



MADE IN VIETNAM