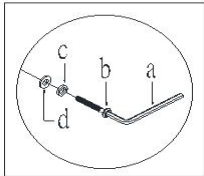
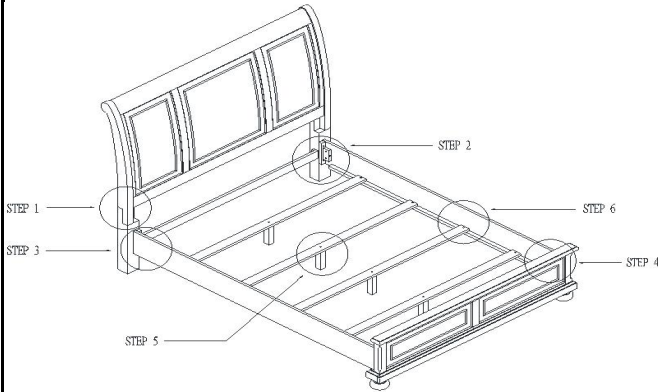


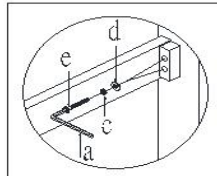
ASSEMBLY INSTRUCTIONS

ITEM NO.: 2638-29H/29F/29R
QUEEN BED W/REGULAR FOOTBOARD & RAILS - HANOVER

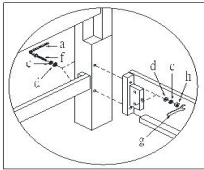
Thank you for purchasing this quality product. Be sure to check all packing material carefully for small parts that may have come loose inside the carton during shipment.



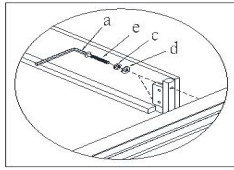
STEP 1



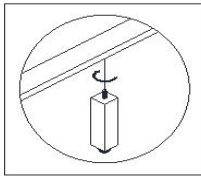
STEP 2



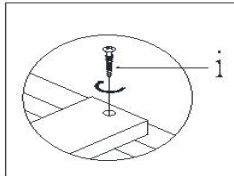
STEP 3



STEP 4



STEP 5



STEP 6

- STEP 1: ATTACH HEADBOARD POST (F) TO THE HEADBOARD (A) BY USING ALLEN KEY (a), BOLT (b), SPRING WASHER (c) AND FLAT WASHER (d).
 STEP 2: ATTACH CROSS BAR (D) TO THE HEADBOARD POST (F) BY USING ALLEN KEY (a), BOLT (e), SPRING WASHER (c) AND FLAT WASHER (d).
 STEP 3: ATTACH SIDE RAILS (C) TO THE HEADBOARD POST (F) BY USING ALLEN KEY (a), BOLT (f), SPRING WASHER (c), FLAT WASHER (d), WRENCH (g) AND HEX NUT (h).
 STEP 4: ATTACH SIDE RAILS (C) TO THE FOOTBOARD (B) BY USING ALLEN KEY (a), BOLT (e), SPRING WASHER (c) AND FLAT WASHER (d).
 STEP 5: ATTACH SUPPORT LEG (G) TO SLATS (E) BY TURNING COUNTERCLOCKWISE.
 STEP 6: ATTACH SLATS (E) TO SIDE RAILS (C) BY USING SCREW (i).

IMPORTANT NOTE:

- HARDWARE BAG FOR HEADBOARD IS PACKED WITH HEADBOARD.
- HARDWARE BAG FOR FOOTBOARD AND RAILS IS PACKED WITH FOOTBOARD.

Made In Vietnam

TOOLS REQUIRED (NOT PROVIDED):
PHILLIPS SCREWDRIVER



PARTS LIST

NO.	DESC	SKETCH	QTY
A	HEADBOARD		1 PC
B	FOOTBOARD		1 PC
C	BED SIDE RAILS		2 PCS
D	CROSS BAR		1 PC
E	BED SLATS		4 PCS
F	HEADBOARD POST (L + R)		2 PCS
G	SUPPORT LEG		4 PCS

HARDWARE LIST FOR HEADBOARD

NO.	DESCRIPTION	SKETCH	SIZE	QTY
a	Allen Key		4 x 74 x 29mm	1 PC
b	Bolt		1/4" x 11.5 x 50mm	4 PCS
c	Spring Washer		1/4" x 11 x 2mm T	8 PCS
d	Flat Washer		1/4" x 18 x 2mm T	8 PCS
e	Bolt		1/4" x 11.5 x 38mm	4 PCS
j	STRAIGHT ALLEN KEY		4*100mm	1 PC

HARDWARE LIST FOR FOOTBOARD AND RAILS

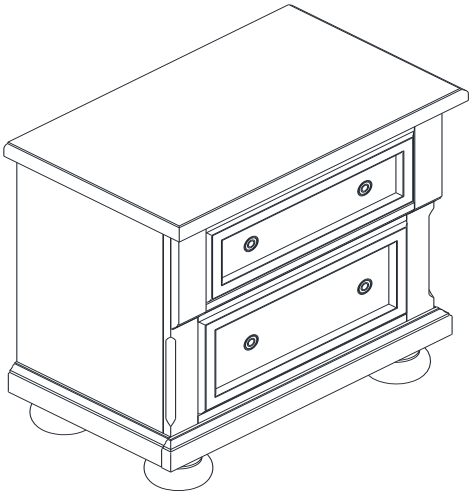
NO.	DESCRIPTION	SKETCH	SIZE	QTY
a	Allen Key		4 x 74 x 29mm	1 PC
c	Spring Washer		1/4" x 11 x 2mm T	12 PCS
d	Flat Washer		1/4" x 18 x 2mm T	12 PCS
e	Bolt		1/4" x 11.5 x 38mm	4 PCS
f	Bolt		1/4" x 11.5 x 125mm	4 PCS
g	Wrench			1 PC
h	Hex Nut		1/4" x 10mm	4 PCS
i	Screw		#8 x 30mm	8 PCS
j	STRAIGHT ALLEN KEY		4*100mm	1 PC

ASSEMBLY INSTRUCTIONS

ITEM NO.: 2638-36

NIGHT STAND - HANOVER

THANK YOU FOR PURCHASING THIS QUALITY PRODUCT. BE SURE TO CHECK ALL PACKING MATERIAL CAREFULLY FOR SMALL PARTS THAT MAY HAVE COME LOOSE INSIDE THE CARTON DURING SHIPMENT.

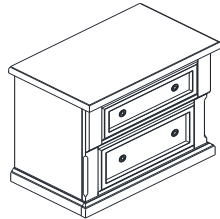
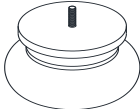


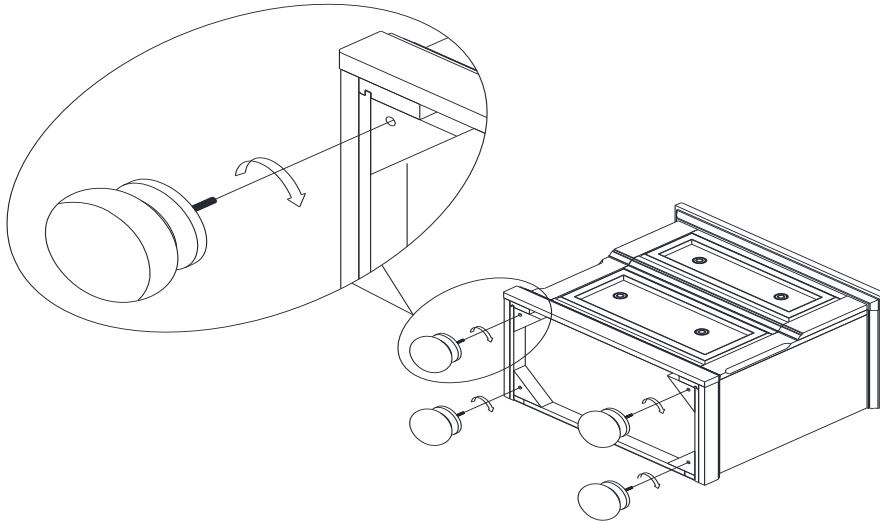
TOOLS REQUIRED (NOT PROVIDED)

PHILLIPS SCREWDRIVER



PARTS LIST:

NO	DESCRIPTION	SKETCH	QTY
A	NIGHT STAND		1 PC
B	BUN FEET		4 PCS



STEP 1: Attach bun feet(B) to the bottom of night stand(A).

ASSEMBLY INSTRUCTIONS

ITEM NO.: 2638-03 & 04

DRAWER DRESSER & RECTANGULAR MIRROR - HANOVER

THANK YOU FOR PURCHASING THIS QUALITY PRODUCT. BE SURE TO CHECK ALL PACKING MATERIALS CAREFULLY FOR SMALL PARTS THAT MAY HAVE COME LOOSE INSIDE THE CARTON DURING SHIPMENT.

TOOLS REQUIRED (NOT PROVIDED)

PHILLIPS SCREWDRIVER

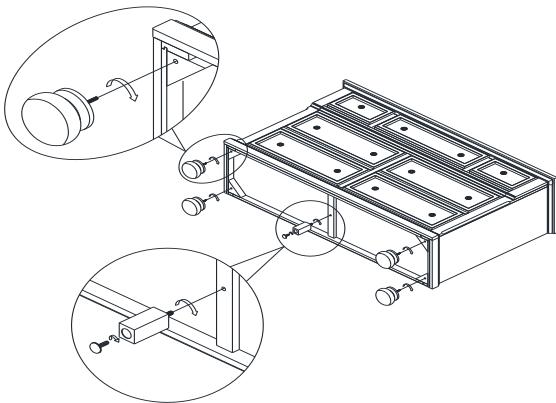
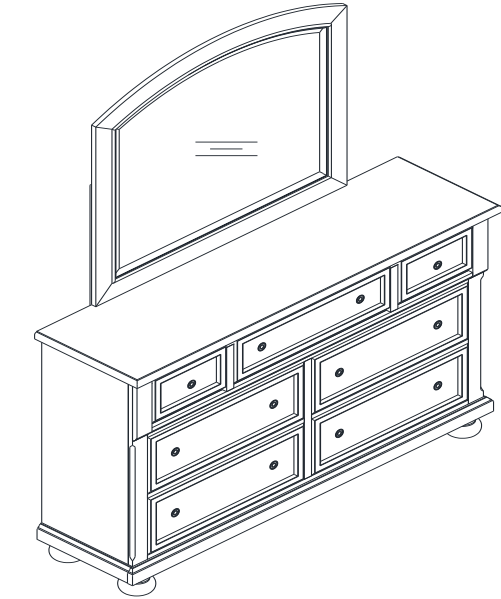


PARTS LIST:

NO	DESCRIPTION	SKETCH	QTY
A	DRAWER DRESSER		1 PC
B	BUN FEET		4 PCS
C	CENTER SUPPORT LEG		1 PC
D	RECTANGULAR MIRROR		1 PC
E	MIRROR SUPPORT		2 PCS

HARDWARE LIST:

NO	DESCRIPTION	SKETCH	SIZE	QTY
a	Allen Key		4 x 74 x 29mm	1 PC
b	Bolt		ϕ 1/4" x 11.5 x 32mm	8 PCS
c	Spring Washer		ϕ 1/4" x ϕ 11 x 2mm T	8 PCS
d	Flat Washer		ϕ 1/4" x ϕ 18 x 2mm T	8 PCS
e	TIPPING RESTRAINT			1 set
f	STRAIGHT ALLEN KEY		4*100mm	1PC



STEP 1: Attach bun feet(B) & center support leg (C) to the bottom of drawer dresser (A).

STEP 2: With another person's assistance, lift the mirror (D) and attach mirror support (E) into position on top of the dresser. Secure the mirror in place by using allen key (a), bolt (b), spring washer (c), flat washer (d).

Important note:

1. The furniture tipping restraint is stapled to the back of the dresser.
2. The hardware bag is packed with mirror.

