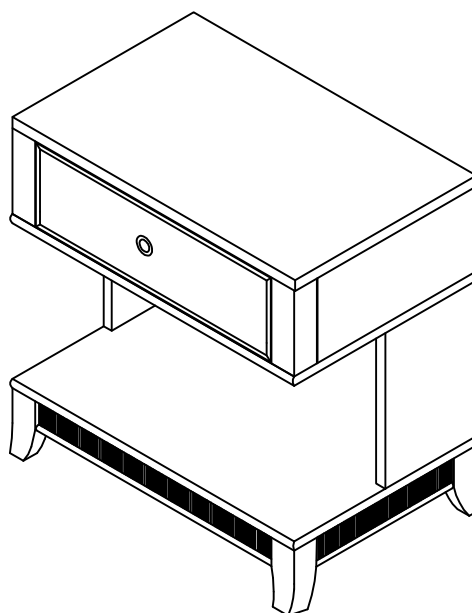
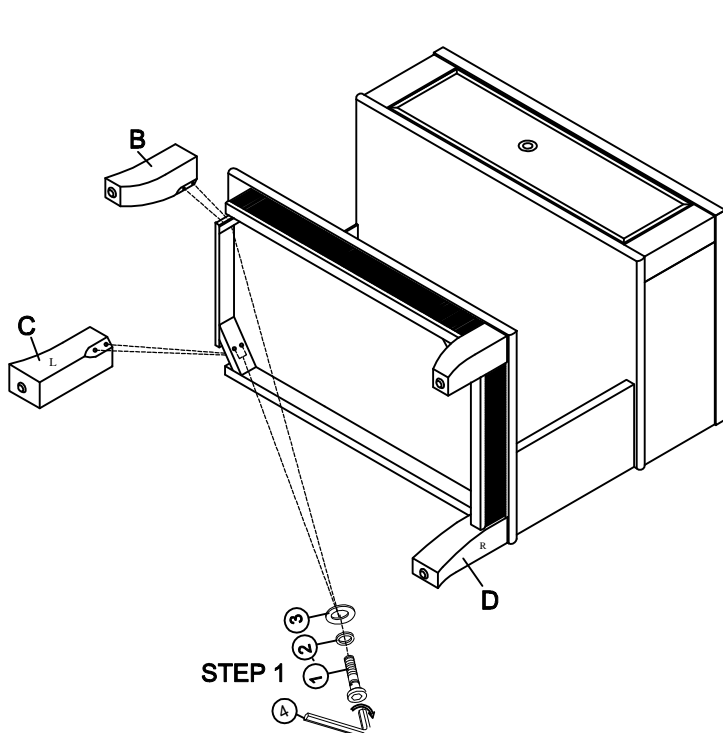




Thank you for purchasing this quality product. Be sure to check all packing material carefully for small parts that may have come loose inside the carton during shipment.

PART LIST			
NO.	DESCRIPTION	SKETCH	Q'TY
A	Top section		1PC
B	Front Legs		2PC
C	Back Legs-L		1PC
D	Back Legs-R		1PC

HARDWARE LIST OF OPEN NIGHTSTAND			
NO.	SKETCH	COMPONENT	Q'TY
1		Bolt Ø5/16"*2-1/4L"	8pcs
2		Spring Washer Ø5/16"	8pcs
3		Flat Washer Ø5/16"*19mm*2mm	8pcs
4		Allen Wrench (4mm)	1pcs
5		Allen Wrench (4mm)	1pcs



MADE IN VIETNAM