



AMERICAN SIGNATURE, INC.

ASSEMBLY INSTRUCTIONS

ITEM NO: B00191-D DRESSER-HAZEL WATER WHITE

B00192-D DRESSER-HAZEL LATTE



Thank you for purchasing this quality product. Be sure to check all packing material carefully for small parts that may have come loose inside the carton during shipment.

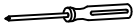
PART LIST

NO.	DESCRIPTION	SKETCH	Q'TY
A	Top section		1PC
B	Front Legs		2PC
C	Back Legs-L		1PC
D	Back Legs-R		1PC
E	Support-Leg		1PC

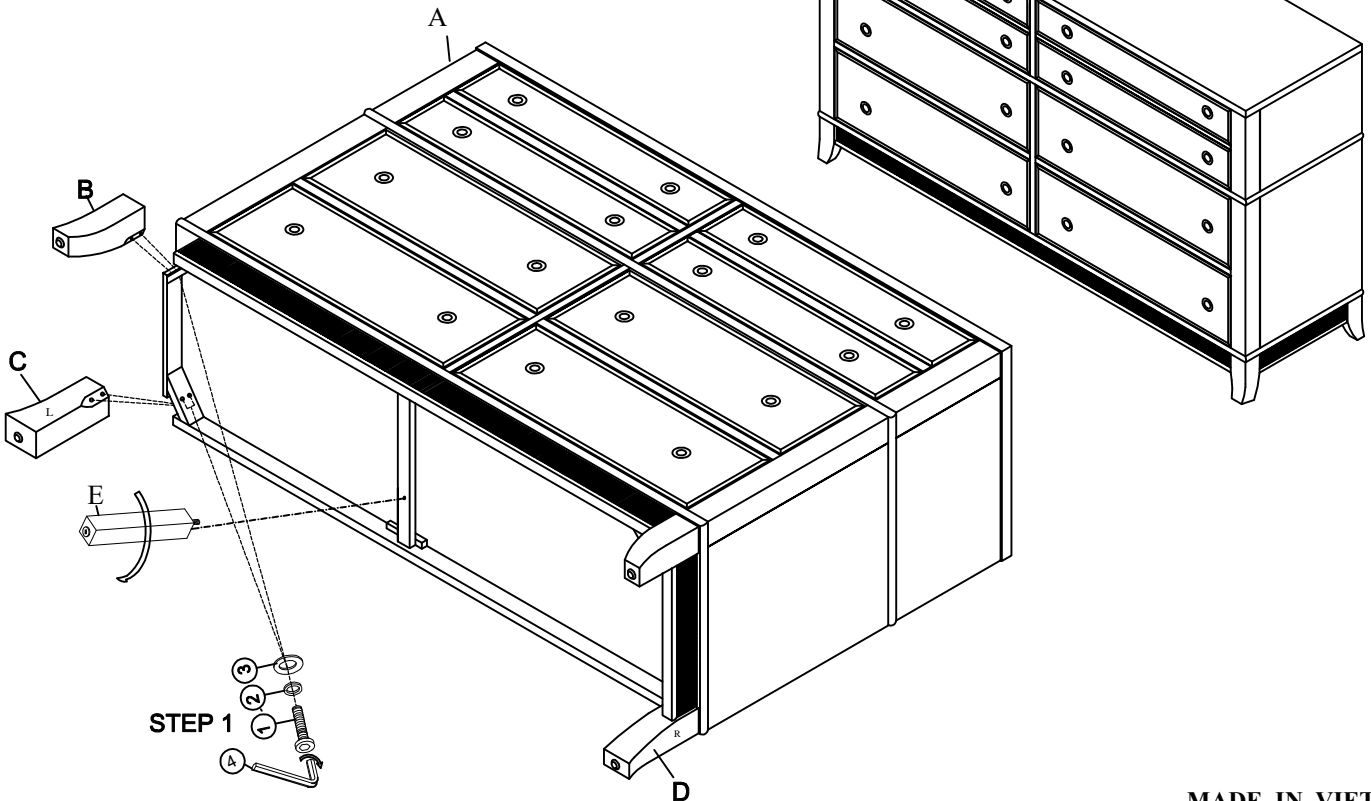
HARDWARE LIST OF DRESSER

NO.	SKETCH	COMPONENT	Q'TY
1		Bolt Ø5/16"*2-1/4L"	8pcs
2		Spring Washer Ø5/16"	8pcs
3		Flat Washer Ø5/16"*19mm*2mm	8pcs
4		Allen Wrench (4mm)	1pcs
5		Anti-tipping kit	1
6		Allen Wrench (4mm)	1pcs

TOOLS REQUIRED (NOT PROVIDED)



SCREW DRIVER



MADE IN VIETNAM

EXCLUSIVE AMERICAN SIGNATURE DESIGN-DO NOT REPRODUCE WITHOUT WRITTEN PERMISSION