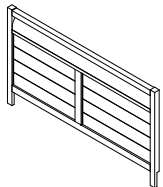

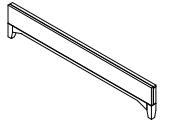

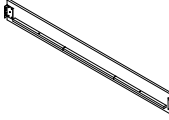



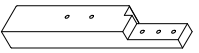

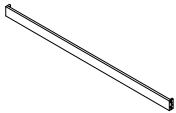

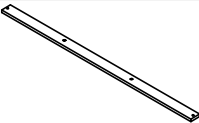

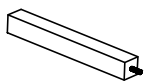



ASSEMBLY INSTRUCTIONS

ITEM NO : 1565VC-225-OG / CP / L & 1565VC-226-OG / CP / L & 1565VC-931-OG / CP / L
 KING HEADBOARD - GRISTMILL GRAY / COCOA PEARL / FRENCH LINEN
 KING FOOTBOARD - GRISTMILL GRAY / COCOA PEARL / FRENCH LINEN
 QUEEN / KING - GRISTMILL GRAY / COCOA PEARL / FRENCH LINEN

Thank you for purchasing this quality product. Be sure to check all packing material carefully for small parts that may have come loose inside the carton during shipment

Part list				Hardware list			
No.	Drawing	Qty.	Description	No.	Drawing	Qty.	Description
P1		1	Headboard	H1		16	Flat washer Ø5/16" x19mm
P2		1	Footboard	H2		16	Spring washer Ø5/16"
P3		2	Rails	H3		6	Bolt Ø5/16" x 45mm
P4		1	Leg Left	H4		2	Bolt Ø5/16" x 38mm
P5		1	Leg Right	H5		8	Bolt Ø5/16" x 20mm
P6		1	Stretcher	H6		8	Wood screw #4 x 25mm
P7		4	Slats	H7		1	Allen key 4mm
P8		8	Support Legs	H8		1	Straight Allen key 4mm

ASSEMBLY INSTRUCTIONS

ITEM NO : 1565VC-225-OG / CP / L & 1565VC-226-OG / CP / L & 1565VC-931-OG / CP / L

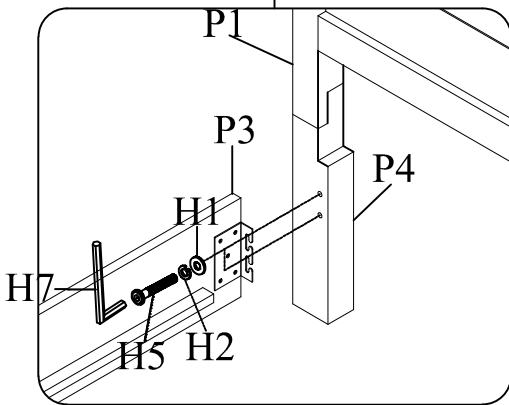
KING HEADBOARD - GRISTMILL GRAY / COCOA PEARL / FRENCH LINEN

KING FOOTBOARD - GRISTMILL GRAY / COCOA PEARL / FRENCH LINEN

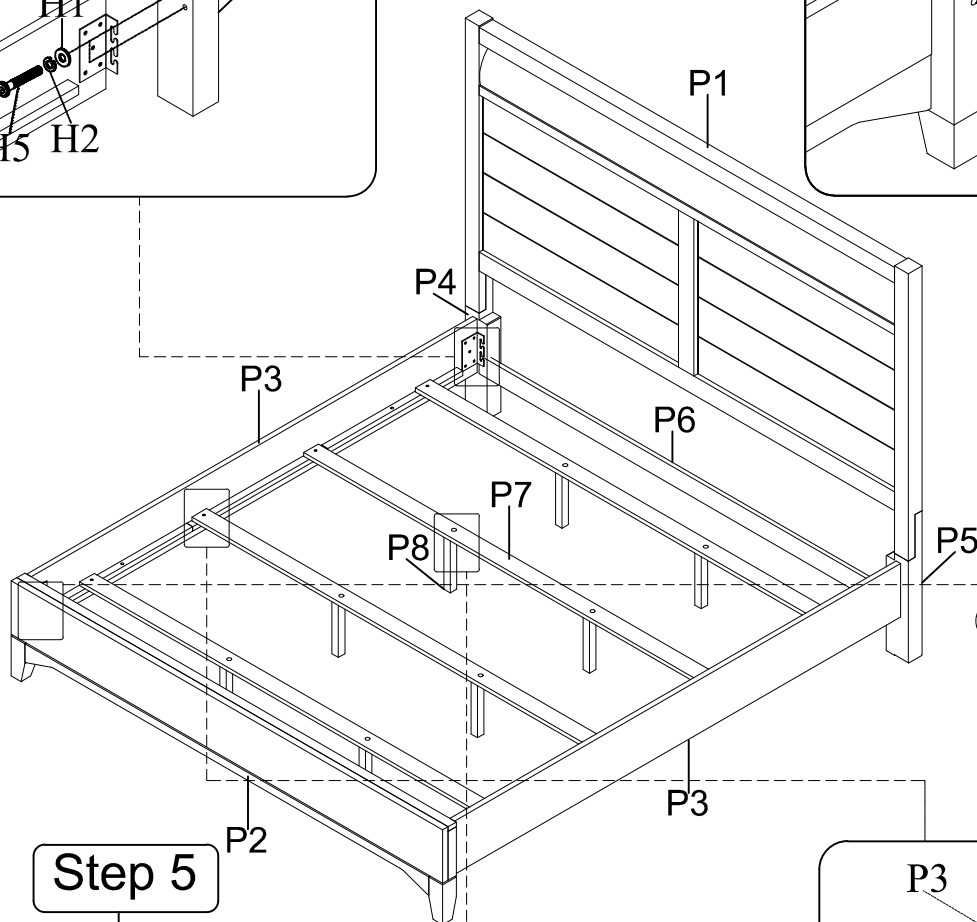
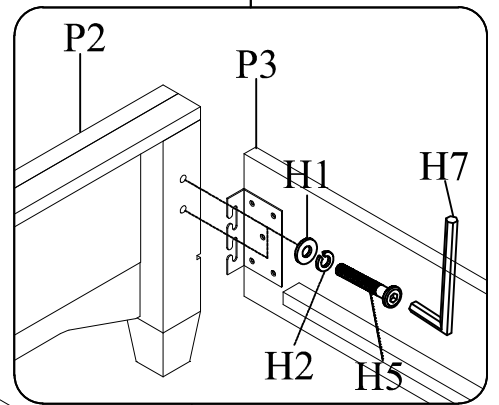
QUEEN / KING - GRISTMILL GRAY / COCOA PEARL / FRENCH LINEN

Thank you for purchasing this quality product. Be sure to check all packing material carefully for small parts that may have come loose inside the carton during shipment

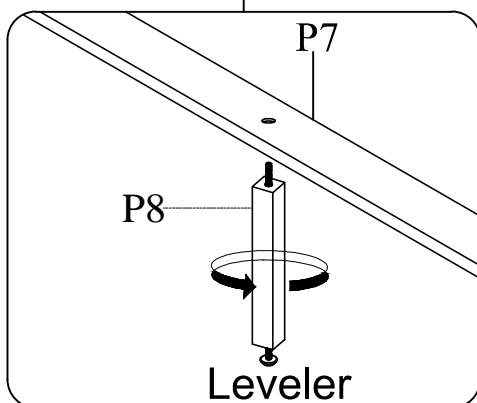
Step 3



Step 4



Step 5



Step 6

