

Flynn Staircase Loft with Chest End

*Assembly Instruction is located in box A

*Hardware is located in boxes A,E, & N @ the end of a **red** ribbon

LOCATE ALL HARDWARE BEFORE DISCARDING ANY BOXES.

Action 1:

Open Boxes E, F, and G
Follow Steps 1-5 or 1A-5A

Action 2:

Open Boxes C and D
Follow steps 1-4

Action 3:

Open Box A
Follow steps 4A-5

Action 4:

Open Boxes A, M, and N
Follow steps 6-10



for optional twin caster bed & hardware – see box 2184-330 white

for optional full caster bed & hardware – see box 2184-460 white

for optional twin caster bed & hardware – see box 2311-330 gray

for optional full caster bed & hardware – see box 2311-460 gray

FLYNN STAIRCASE LOFT BED WITH CHEST END OR DESK END



SAFETY WARNINGS

SAFETY FIRST!

All Bunkbeds were designed and manufactured with **your child's safety as our top priority.**

Their unparalleled strength is a bi-product of the safety design. Our bunks meet all compliance with ASTM F 1427-13 "Standard Consumer Safety Specification for Bunk Beds" and Code of Federal Regulations (CFR) 1213 "Safety Standards for Entrapment Hazards in Bunk Beds" and (CFR)1513 "Requirements for Bunks Bed".

Safety is a cooperative effort between us as the manufacturer, and you as a guardian. **Please read and consider the warnings listed on this page** when choosing a mattress and discussing rules of use with your child.

1. Follow the information on the warnings appearing on the upper Bunk end structure and on the carton. Do not remove warning label from bed.
2. Always use the recommended size mattress or mattress support, or both, to help prevent entrapment or falls.
3. Surface of mattress must be at least 5 inches (127mm) below the upper edge of guardrails.
4. Do not allow children under 6 years of age to use the upper Bunk.
5. Prohibit more than one person on the upper Bunk.
6. Periodically, check and ensure that the guardrail, ladder, and other components are in their proper position, free from damage, and that all connectors are tight.
7. Do not allow horseplay on or under the bed and prohibit jumping on the bed.
8. Always use the ladder for entering and leaving the upper Bunk.
9. Do not use substitute parts. Contact the manufacturer or dealer for replacement parts.
10. Use of a nightlight may provide added safety precaution for a child using the upper Bunk.
11. Always use guardrails on both long sides of the upper Bunk. If bunk bed will be placed next to the wall, the guardrail that runs the full length of the bed should be placed against the wall to prevent entrapment between the bed and wall.
12. The use of water or sleep flotation mattresses is prohibited.
13. **Keep these instructions for future reference.**



STRANGULATION HAZARD

Never attach or hang items to any part of the bunk bed that are not designed for use with the bed; including, but not limited to, hooks, belts and jump ropes.

SIZE OF MATTRESS AND FOUNDATION

Use only mattress which is 74 - 75 inches long and 37½ - 38 ½ inches wide on upper Bunk. Ensure thickness of mattress does not exceed 8 inches and the mattress is at least 5 inches below upper edge of guardrails.

FLYNN STAIRCASE LOFT BED

INTRODUCTION

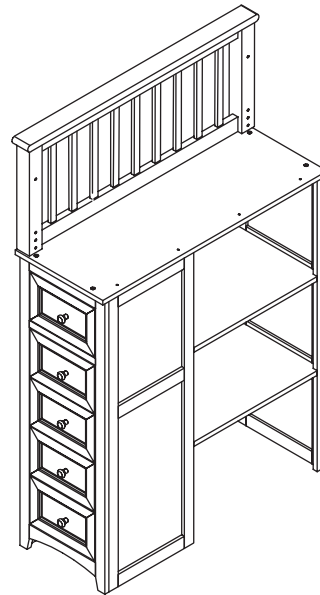
Enclosed please find simple step-by-step instructions to help you quickly assemble your product. Before you begin, we recommend that you follow the steps below.

1. Please read the instructions thoroughly
2. Identify all parts and hardware
3. Gather the tool(s) necessarily
4. 2 adults required for assembly

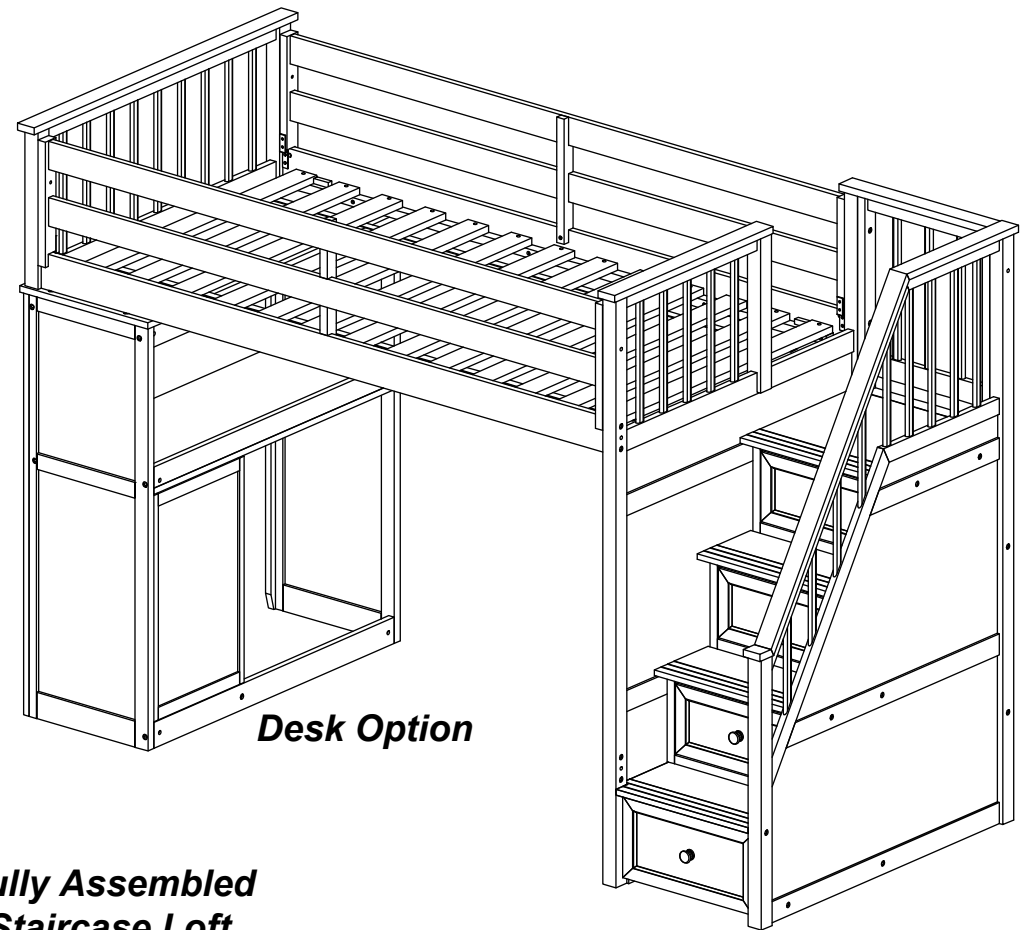
To protect your parts during assembly, please place them on a soft surface. To clean surface, use only water on a damp cloth. Do not use window cleaners or cleaning abrasives as it will scratch the surface and could damage the protective coating.

CUSTOMER SUPPORT

If you are missing parts or need assistance with your product, please contact the retailer from whom you purchased the product. When you call or email, please include the Product's Item Number and PO Number which is located on the Production Tracking Sticker. This sticker can be found on the bottom, inside or back of your product.



Chest Option



Desk Option

**Fully Assembled
Staircase Loft**



H/I. STAIR LOFT WITH CHEST END

7090B-TLSG

BOX KEY

7090A	Stair Loft Upper/Slats, White ^	A
7090B	Stair Loft GR/Side Rails, White	B
7090E	Stair Loft Step Side Panels, White *	E
7090F	Stair Loft Stair Step Cabinet, White	F
7090G	Stair Loft Step/Back/Toy Panels, White	G
7090M	Stair Loft Chest End, White	M
7090N	Stair Loft Chest End Shelves, White *	N

OPTIONAL

- H.** 2184-330 Twin Caster Bed - 1 ctn, White * ^
- I.** 2184-460 Full Caster Bed - 1 ctn, White * ^

2311-4090B-TLSG

BOX KEY

2311-4090A	Stair Loft Upper/Slats, Gray ^	A
2311-4090B	Stair Loft GR/Side Rails*, Gray	B
2311-4090E	Stair Loft Step Side Panels, Gray	E
2311-4090F	Stair Loft Stair Step Cabinet, Gray	F
2311-4090G	Stair Loft Step/Back/Toy Panels, Gray	G
2311-4090M	Stair Loft Chest End, Gray	M
2311-4090N	Stair Loft Chest End Shelves, Gray	N

OPTIONAL

- H.** 2311-330 Twin Caster Bed - 1 ctn, Gray * ^
- I.** 2311-460 Full Caster Bed - 1 ctn, Gray * ^



E/G. STAIR LOFT WITH DESK

7090A-TLSG

BOX KEY

7090A	Stair Loft Upper/Slats, White ^	A
7090B	Stair Loft GR/Side Rails, White *	B
7090C	Stair Loft Desk Cabinet, White	C
7090D	Stair Loft Desk Side/Top, White	D
7090E	Stair Loft Step Side Panels, White *	E
7090F	Stair Loft Stair Step Cabinet, White	F
7090G	Stair Loft Step/Back/Toy Panels, White	G

OPTIONAL

- E.** 2184-330 Twin Caster Bed - 1 ctn, White * ^
- G.** 2184-460 Full Caster Bed - 1 ctn, White * ^

2311-4090A-TLSG

BOX KEY

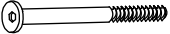
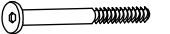




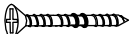
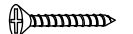
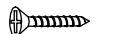




2311-4090A	Stair Loft Upper/Slats, Gray ^	A
2311-4090B	Stair Loft GR/Side Rails, Gray *	B
2311-4090C	Stair Loft Desk Cabinet, Gray	C
2311-4090D	Stair Loft Desk Side/Top, Gray	D
2311-4090E	Stair Loft Step Side Panels, Gray *	E
2311-4090F	Stair Loft Stair Step Cabinet, Gray	F
2311-4090G	Stair Loft Step/Back/Toy Panels, Gray	G

OPTIONAL

- E.** 2311-330 Twin Caster Bed - 1 ctn, Gray * ^
- G.** 2311-460 Full Caster Bed - 1 ctn, Gray * ^

* Carton Contains Hardware Pack
 ^ Carton Contains Assembly Instructions

PARTS LIST

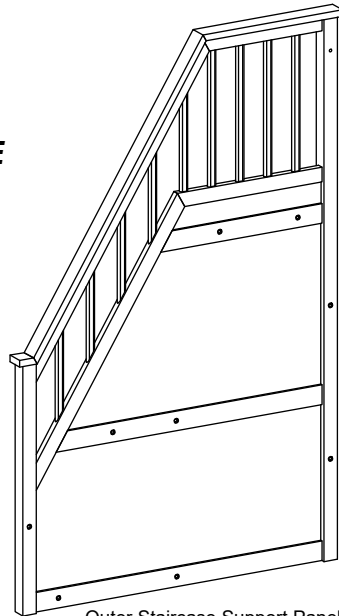
A		Ø1/4-20x105mm Bolts X 2
B		Ø1/4-20x90mm Bolts X 8
C		Ø1/4-20x60mm Bolts X 20
E		Ø1/4-29x35mm Bolts X 34
G		Ø1/4-29x20mm Bolts X 2
H		Barrel Nuts X 26
L		Ø1/4x45mm Wood Screws X 4
M		Ø4x30mm Wood Screws X 28
P		Ø4x15mm Wood Screws X 8
Q		Ø10 x 40mm Wood Dowels X 4
R		Ø8 x 40mm Wood Dowels X 12
U		T-Nuts X 2
V		Allen Wrench X 2
W		Straight Allen Wrench X 1

Hardware will differ depending on configuration selected.

Other Tools Required
(Not Included)
.Phillips Screwdriver
.Flathead Screwdriver

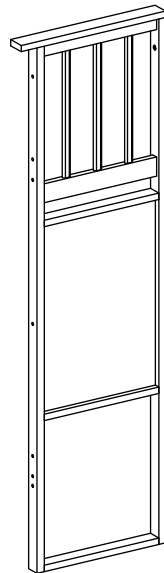


1
Box E



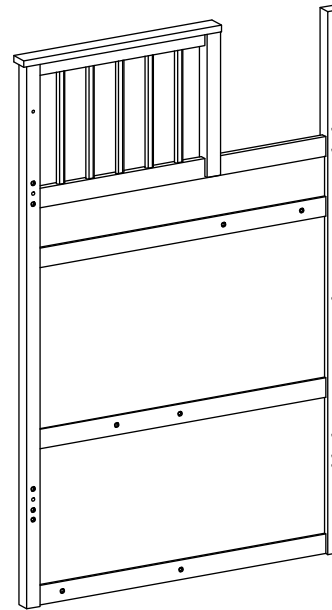
Outer Staircase Support Panel
X 1

2
Box G



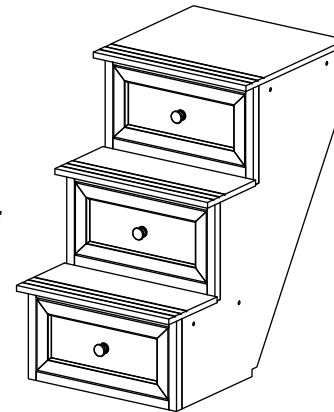
Back Staircase Support Panel
X 1

3
Box E



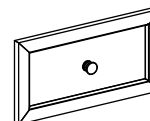
Inner Staircase Support Panel
X 1

4
Box F



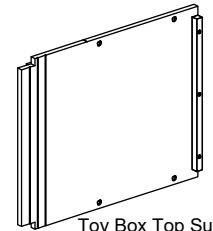
Staircase/Drawers
X 1

5
Box G



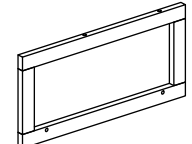
Toy Box Front
X 1

6
Box G



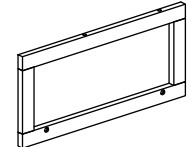
Toy Box Top Support
X 1

7.1
Box G



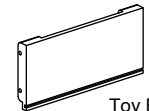
Toy Box Left Side Support
X 1

7.2
Box G



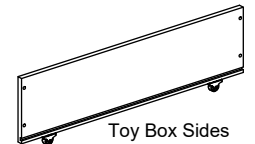
Toy Box Right Side Support
X 1

8
Box G



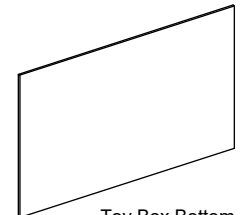
Toy Box Back
X 1

9
Box G



Toy Box Sides
X 2

10
Box G

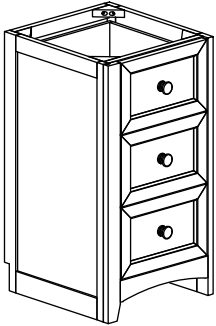


Toy Box Bottom
X 1

PARTS LIST (CONTINUED)

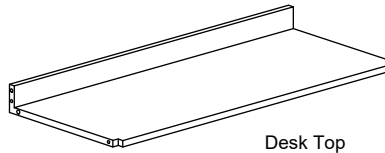
Desk End Only

11
Box C



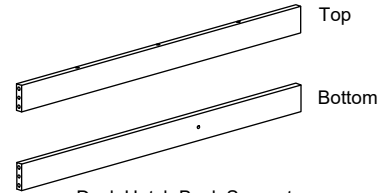
Desk Cabinet
X 1

14
Box D



Desk Top
X 1

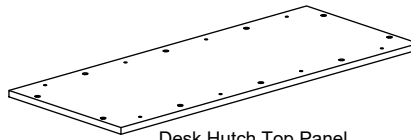
15
Box D



Desk Hutch Back Supports
X 1 (of each type)

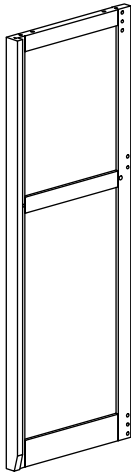
16
Box D

17
Box D



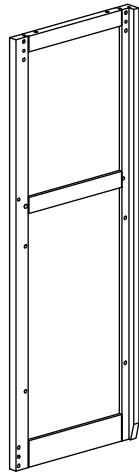
Desk Hutch Top Panel
X 1

12
Box D

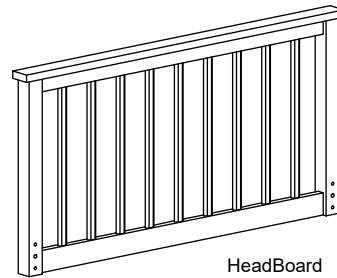


Left & Right Desk Hutch Side Panel
X 1

13
Box D

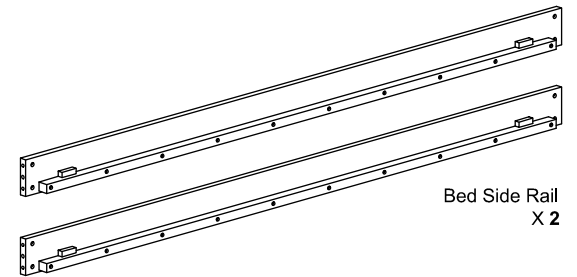


24
Box A



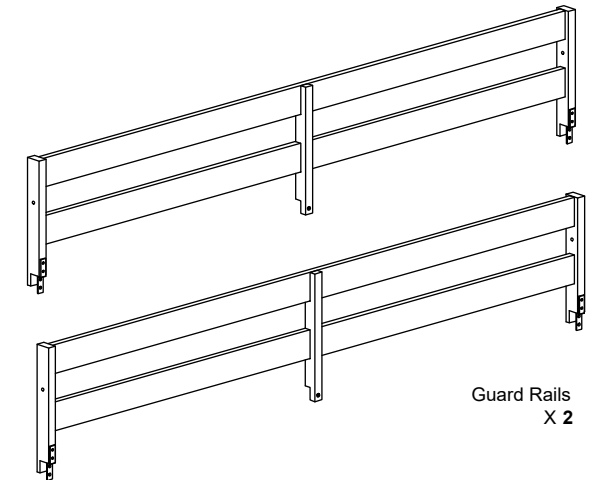
HeadBoard
X 1

22
Box B



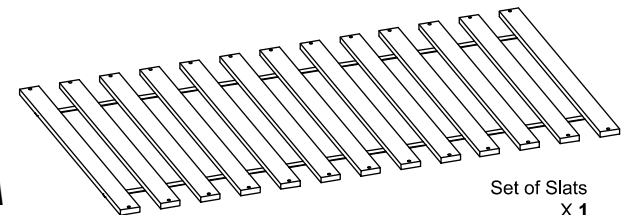
Bed Side Rail
X 2

23
Box B



Guard Rails
X 2

25
Box A

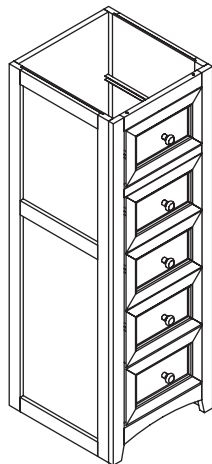


Set of Slats
X 1

PARTS LIST (CONTINUED)

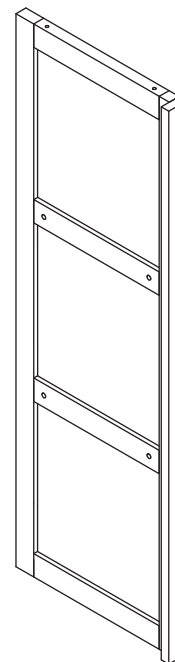
Chest End Only

18
Box M



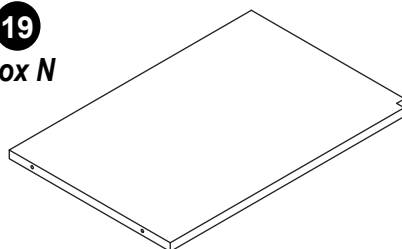
Chest Cabinet
x 1

20
Box N



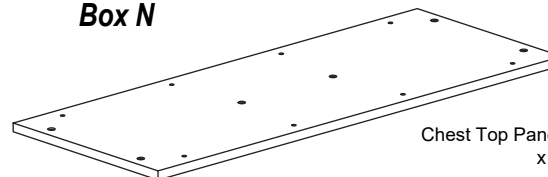
Chest Side Panel
x 1

19
Box N




Shelf
x 2

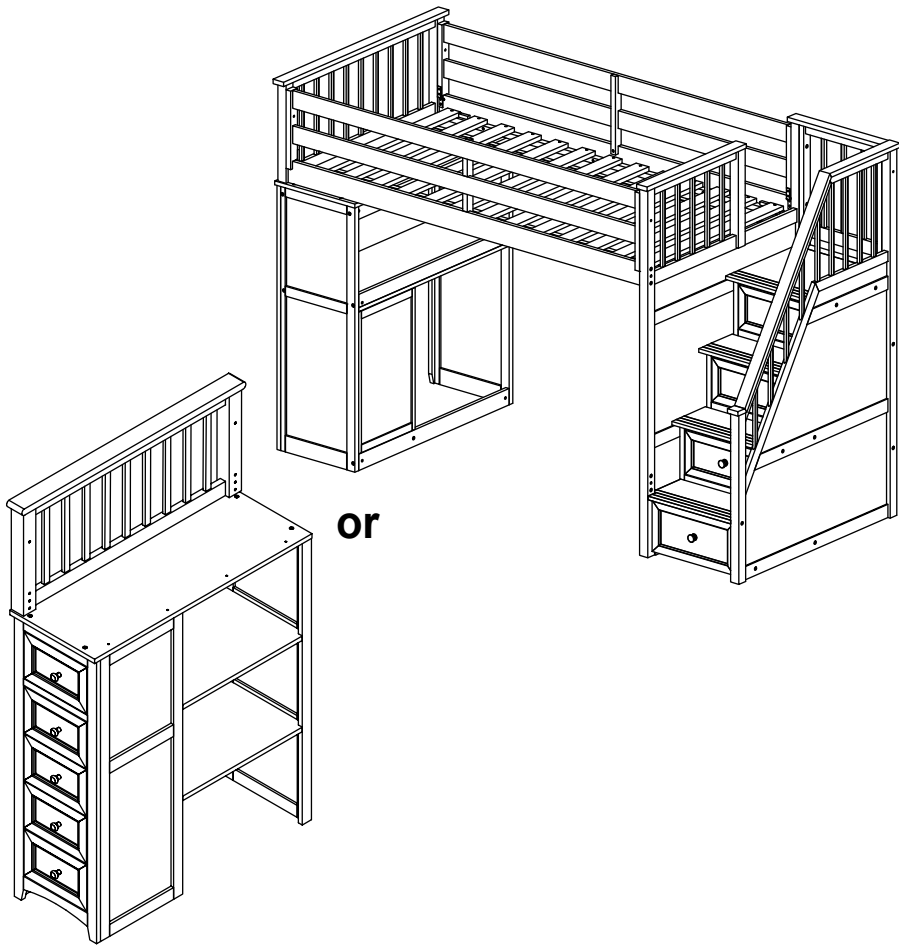
21
Box N



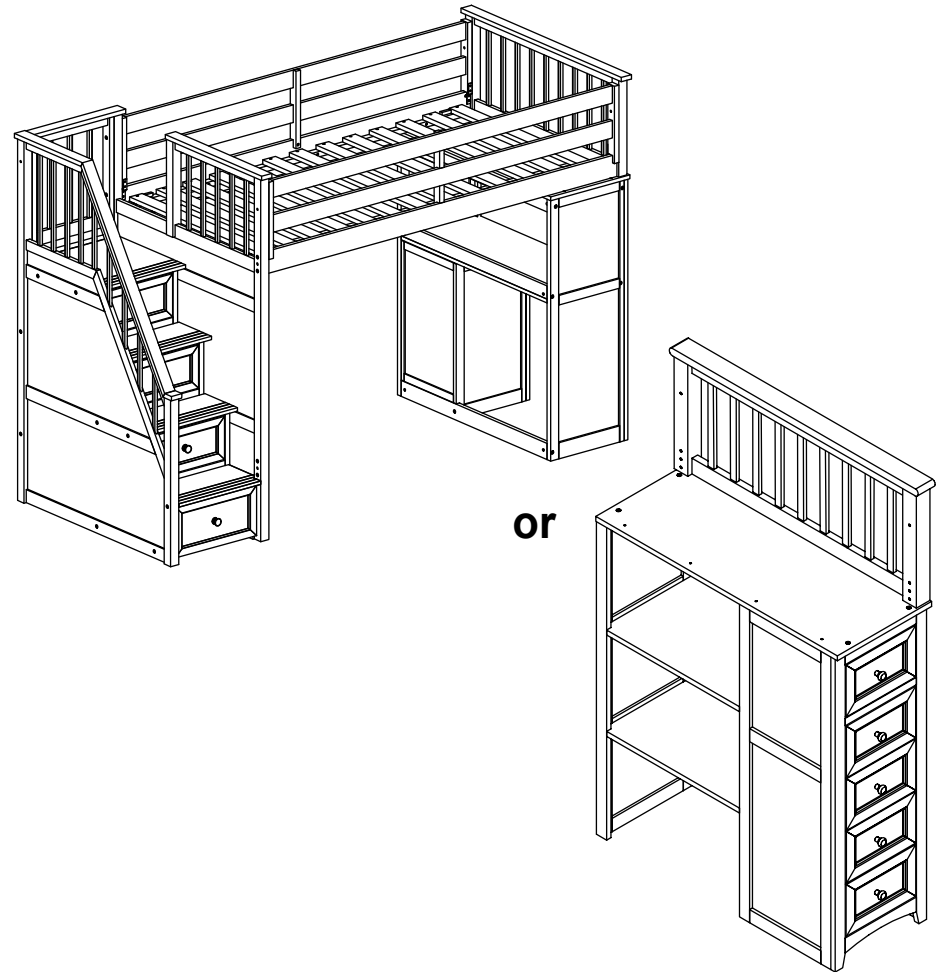
Chest Top Panel
x 1

 **NOTE:** Before beginning assembly, decide exactly where the bed is to be placed and on which ends you would like the Desk/Chest and Staircase. Both the Staircase and Desk/Chest can be placed at either end and reversed. See below.

For **right-hand** side staircase assembly, please start at **Step 1 on Page 7.**



For **left-hand** side staircase assembly, please skip to **Step 1A on Page 10.**

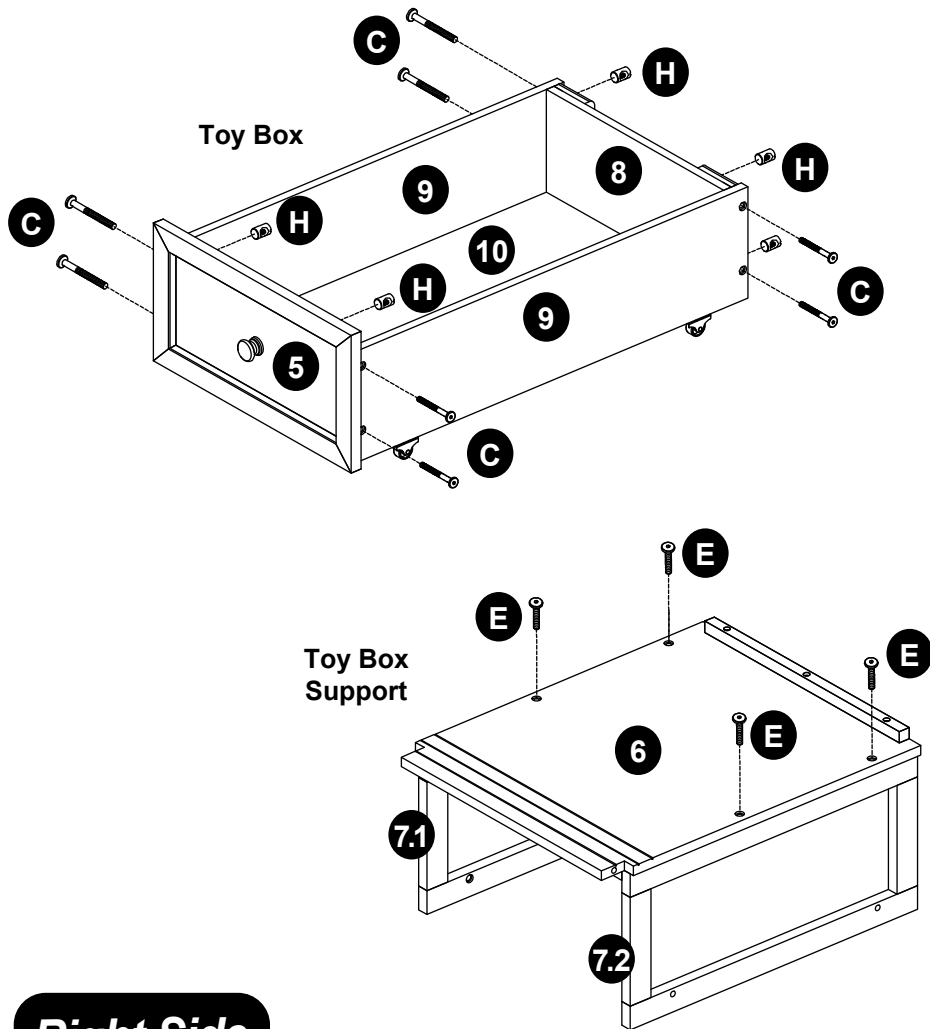


Open Boxes E, F, and G for Steps 1- 4

STEP 1

Steps 1-5: Right-hand Staircase assembly

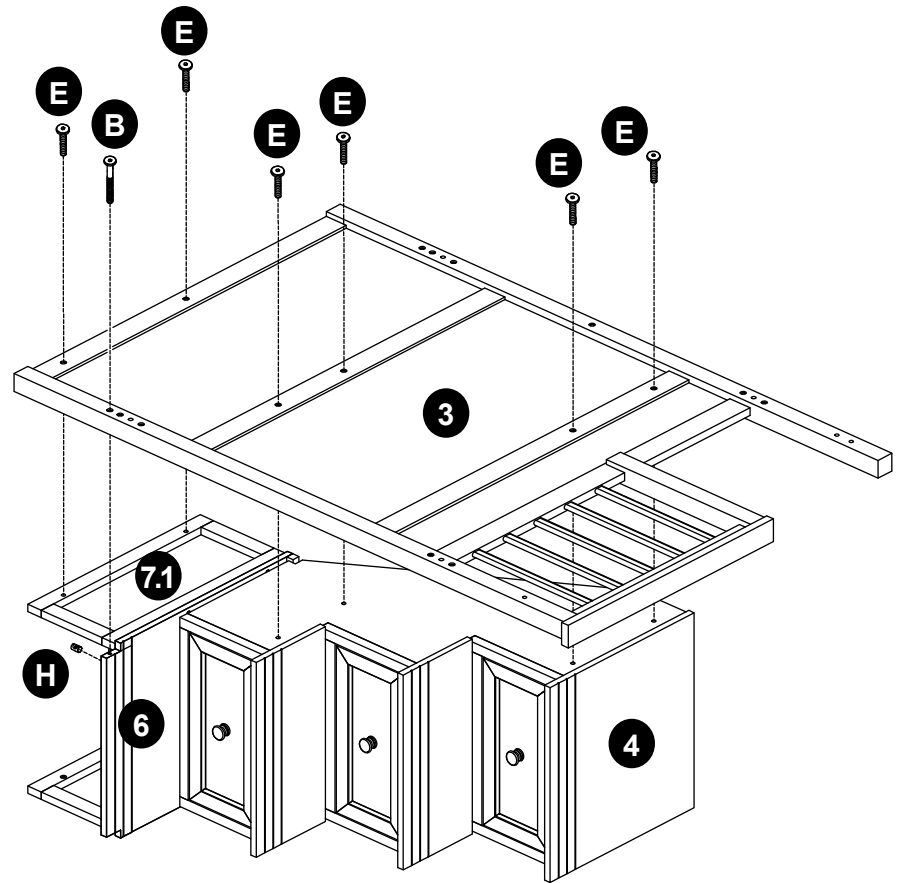
Assembly Toy Box and Support



Right Side Staircase

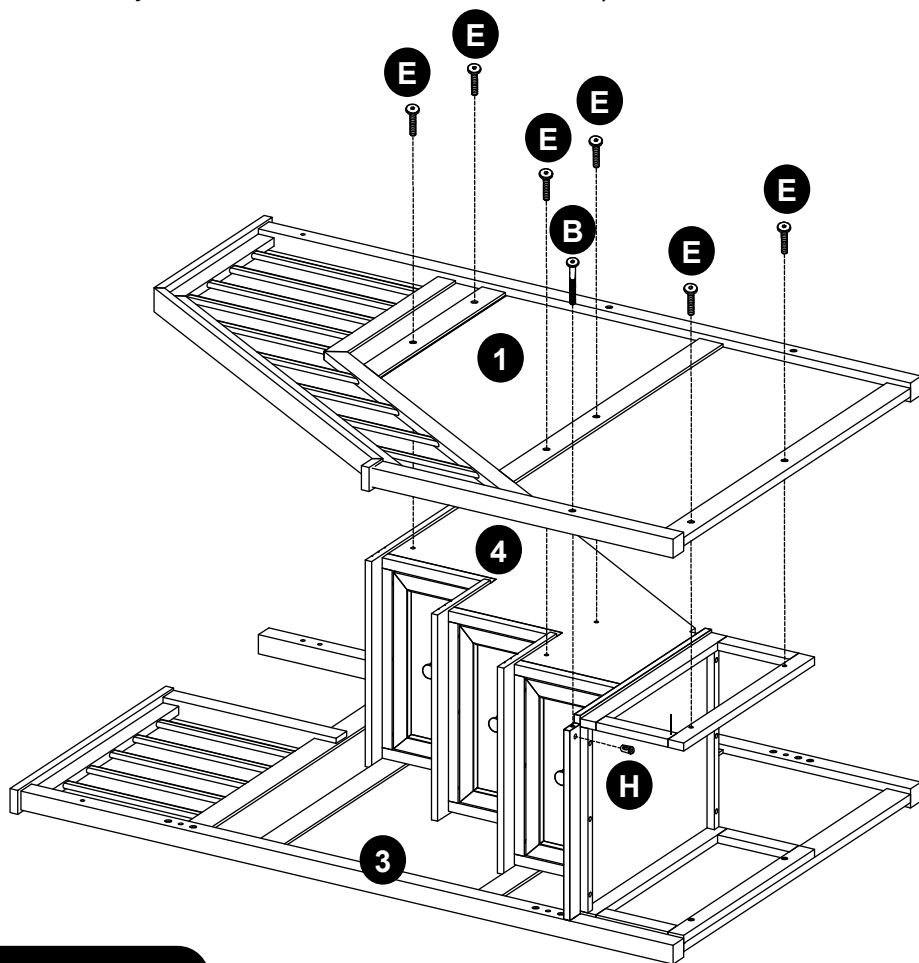
STEP 2

Lay Staircase/Drawers flat on its side with drawer fronts facing you and the top facing right. Put Toy Box Support in place with the lip catching the notch at the bottom of Staircase as shown. Gently lower and attach Inner Staircase Support Panel making sure to align the open side with the top stair. *Be careful not to scratch the finish while positioning the panel*, this damage would not be covered under the warranty. We recommend two adults for this step



STEP 3

Turn partially assembled Staircase over then gently lower and attach the Outer Staircase Support Panel. Again, be careful not to scratch the finish while positioning the panel, this damage would not be covered under the warranty. We recommend two adults for this step.



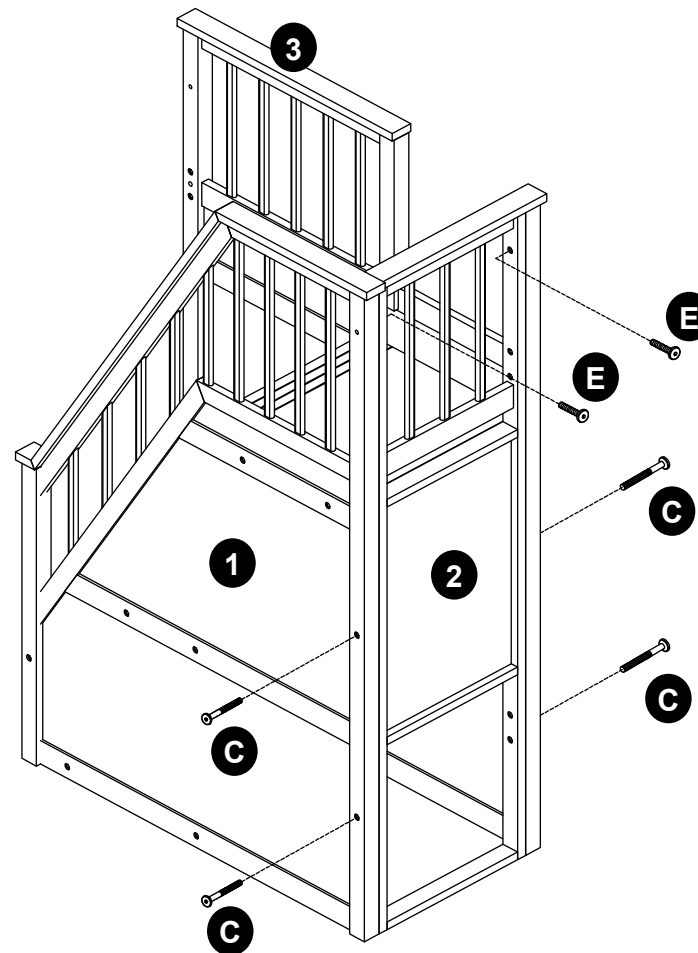
**Right Side
Staircase**

STEP 4

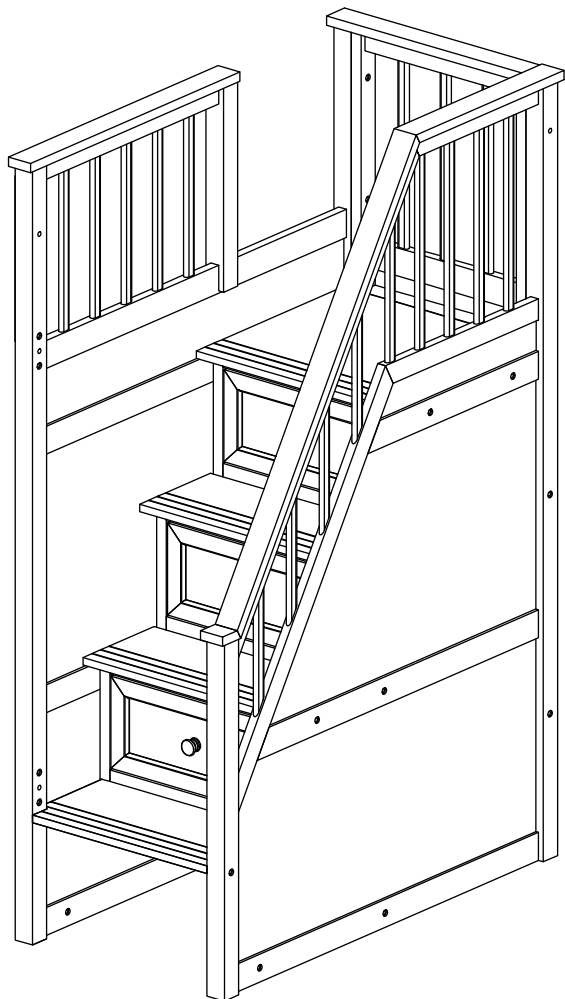
With two Adults, lift stair case up

STEP 5

Stand Staircase upright and attach Back Staircase Support Panel.



With two adults, lift the Staircase into desired position.



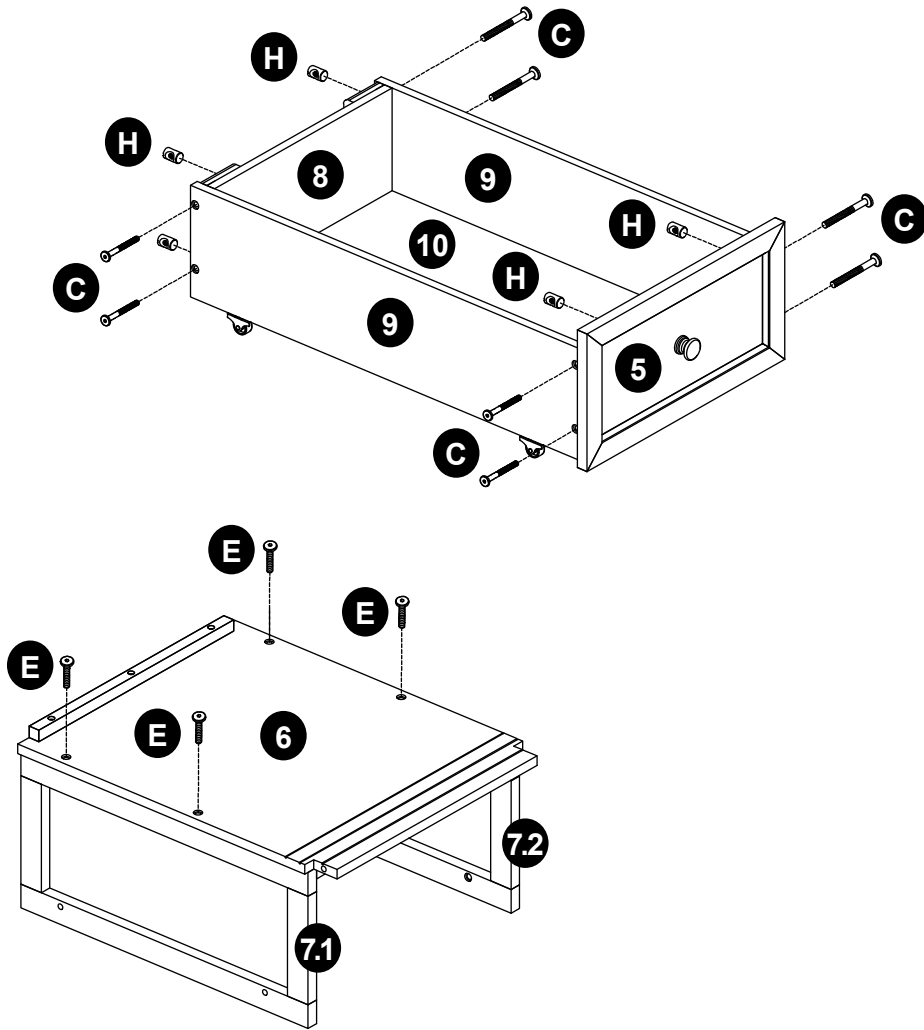
Skip to Page 12 for next step

***Right Side
Staircase***

Open Boxes E, F, and G for Steps 1A- 4A

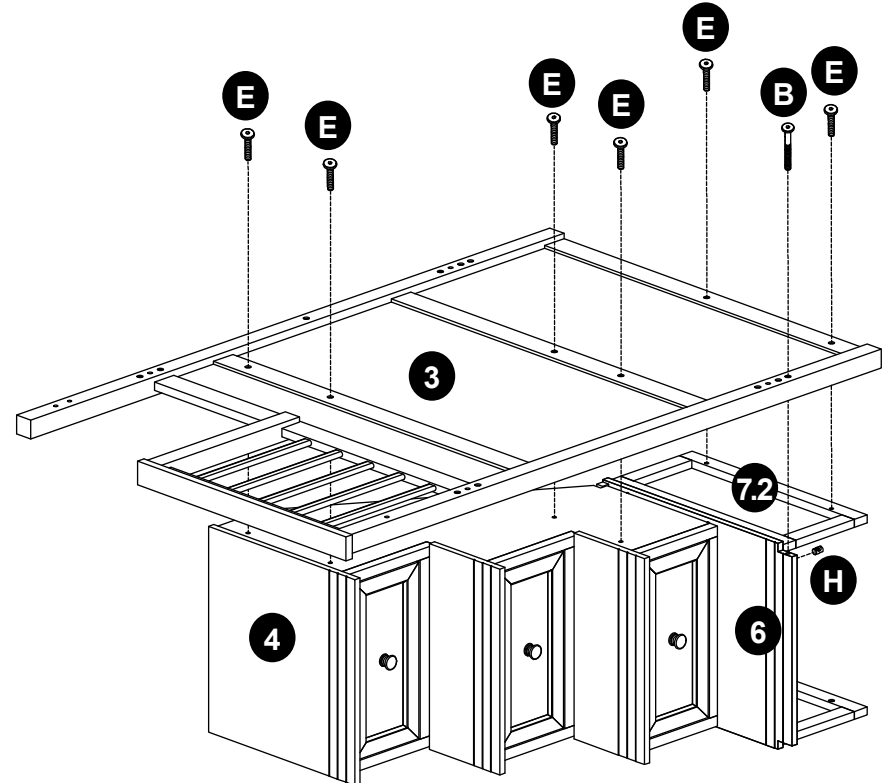
STEP 1A Steps 1A-5A: Left-hand Staircase assembly

Assembly Toy Box and Support



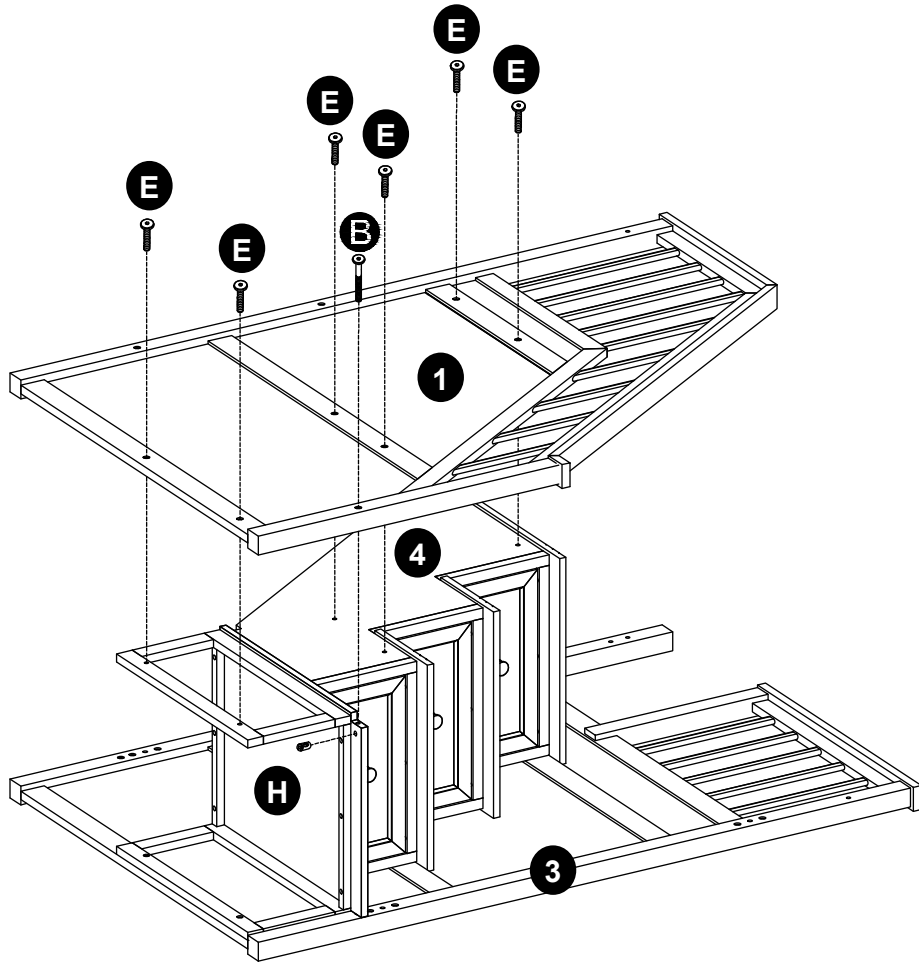
STEP 2A

Lay Staircase/Drawers flat on its side with drawer fronts facing you and the top facing right. Put Toy Box Support in place with the lip catching the notch at the bottom of Staircase as shown. Gently lower and attach Inner Staircase Support Panel making sure to align the open side with the top stair. *Be careful not to scratch the finish while positioning the panel, this damage would not be covered under the warranty.* We recommend two adults for this step



STEP 3A

Turn partially assembled Staircase over then gently lower and attach the Outer Staircase Support Panel. *Again, be careful not to scratch the finish while positioning the panel, this damage would not be covered under the warranty. We recommend two adults for this step.*

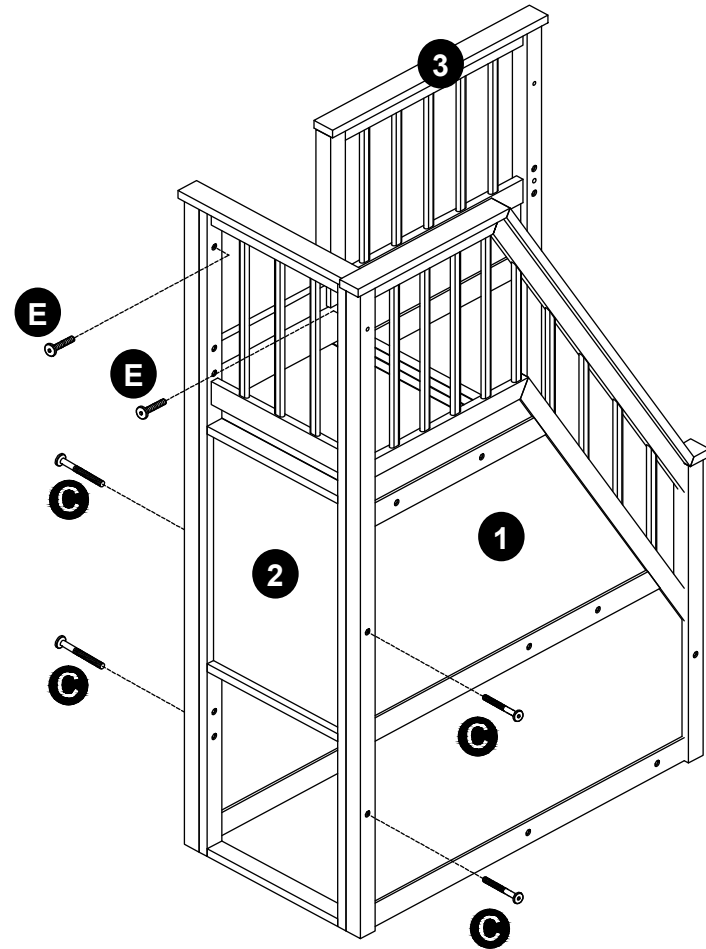


STEP 4A

With two adults, lift Staircase up

STEP 5A

Stand Staircase upright and attach Back Staircase Support Panel.





With two adults, lift the Staircase into desired position.


*For Desk End
Skip to Page 13*


*For Chest End
Skip to Page 19*

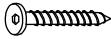
Open Boxes C and D for Steps 1-4


- C**  Ø1/4-37x60mm Bolts
X 8


- E**  Ø1/4-29x35mm Bolts
X 12


- G**  Ø1/4-14x20mm Bolts
X 2


- H**  Barrel Nuts
X 8

- L**  45mm Screws
X 4

- R**  Ø8x40mm Wood Dowels
X 12

- U**  T-Nuts
X 2

- V**  Allen Wrench
X 1

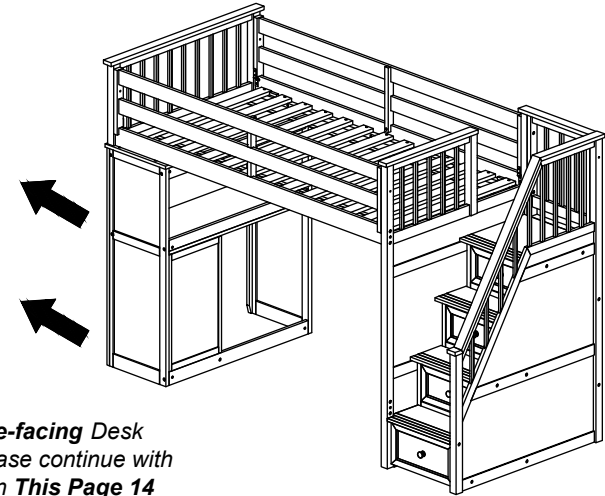
- W**  Straight Allen Wrench
X 1



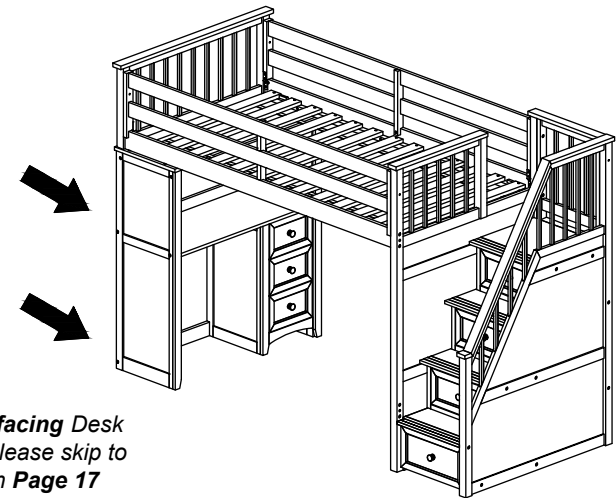
NOTE:
Choose for desk to
be inside facing or
outside facing.



NOTE: Before continuing assembly, decide whether you would like the Desk to be **outside-facing** or **inside-facing** and follow instructions below .



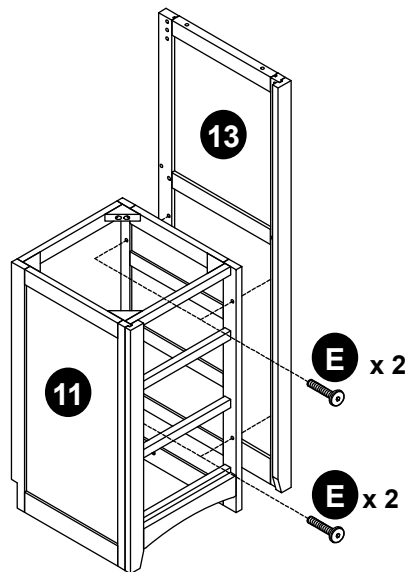
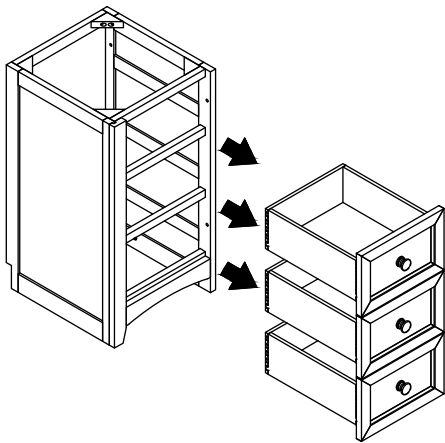
For **outside-facing** Desk
assembly, please continue with
Step 1 on This Page 14



For **inside-facing** Desk
assembly, please skip to
Step 1 on Page 17

STEP 1

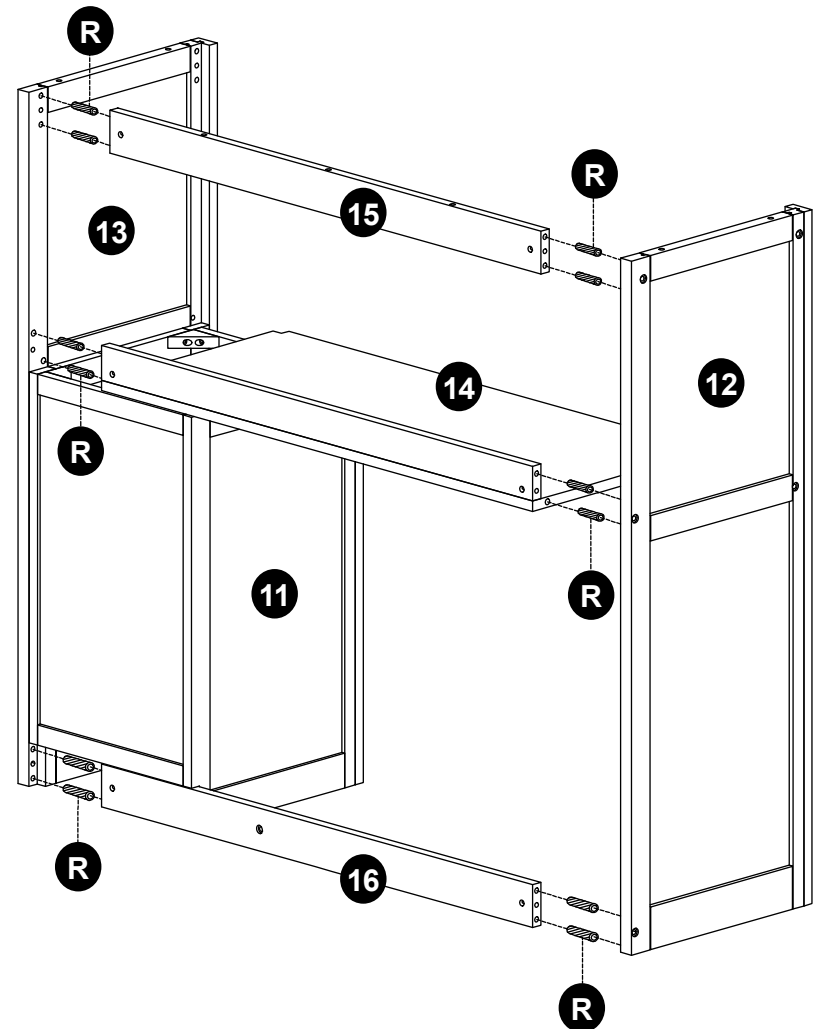
Remove Drawers from Desk Cabinet before proceeding, then attach Right Desk Hutch Side Panel



Outside Facing

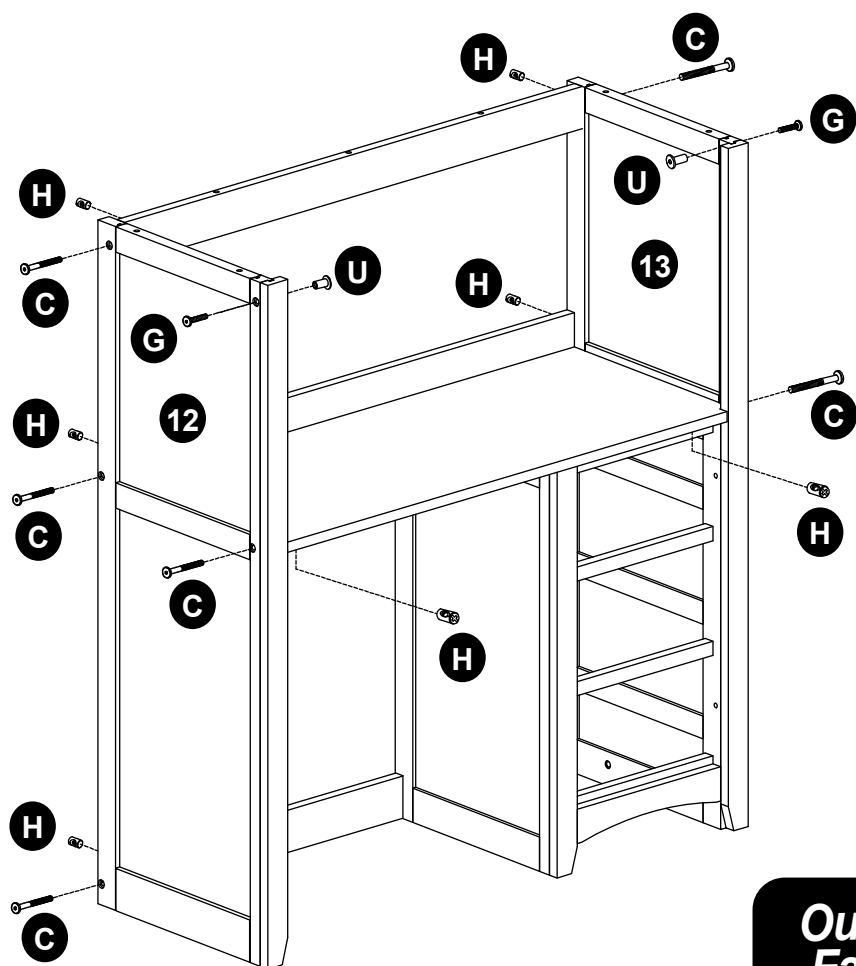
STEP 2 Steps 2-4: Outside-facing Desk assembly

Fit Desk Hutch Back Supports, Desk Top, and Left Desk Hutch Side Panel together using wood dowels(12).

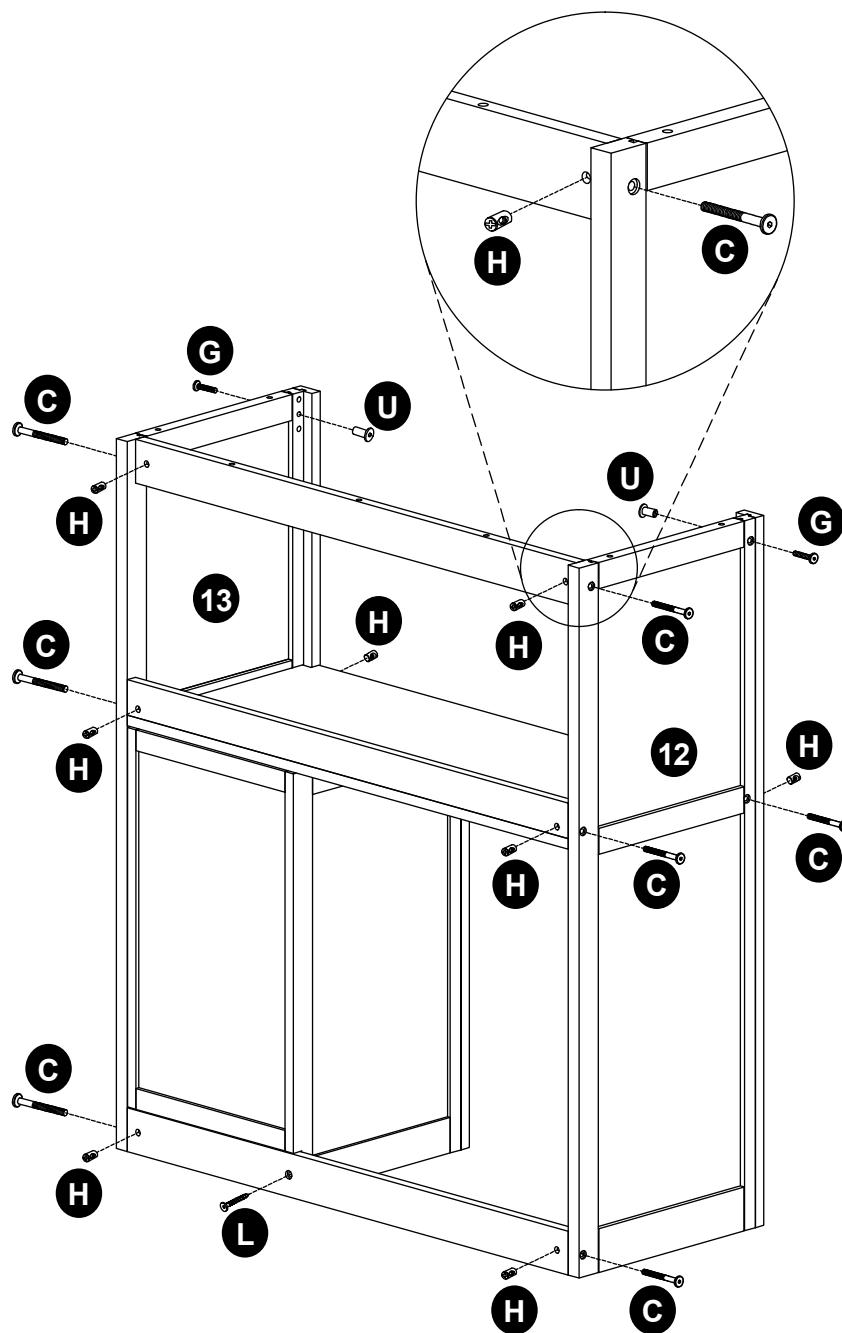


STEP 3

Secure Desk Hutch Side Panel and Back Supports as shown.

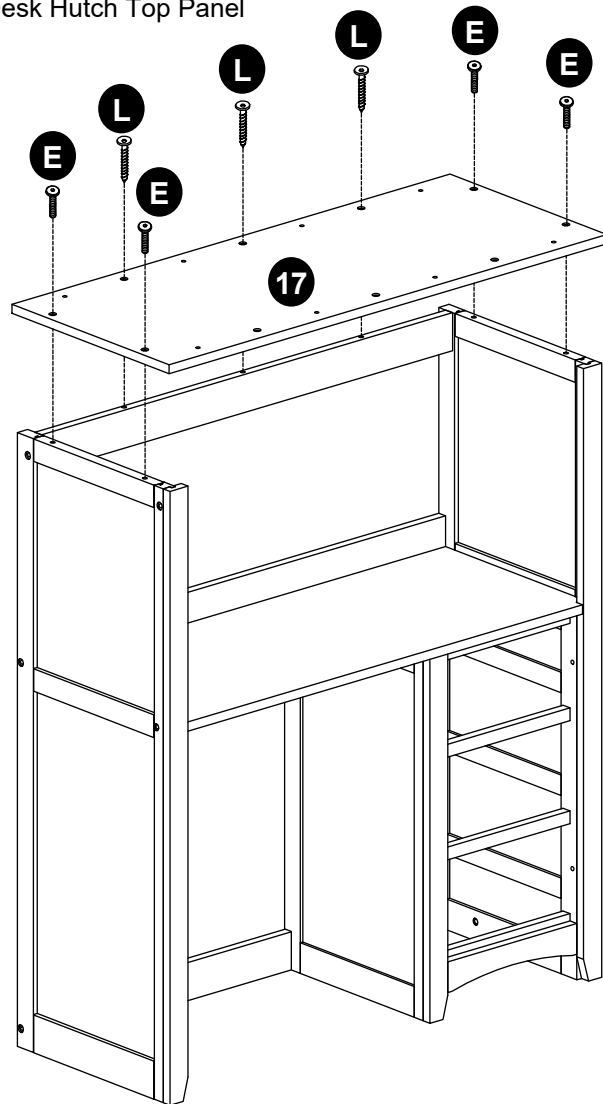


Outside Facing



STEP 4

Attach Desk Hutch Top Panel

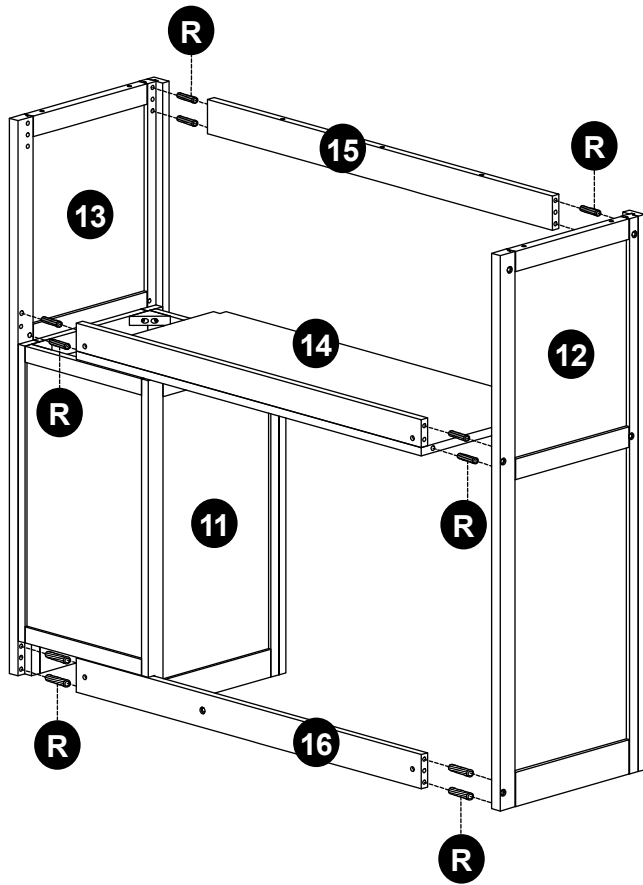


Skip to Step 5 on Page 18

Steps 1A-4A: Inside-facing Desk assembly

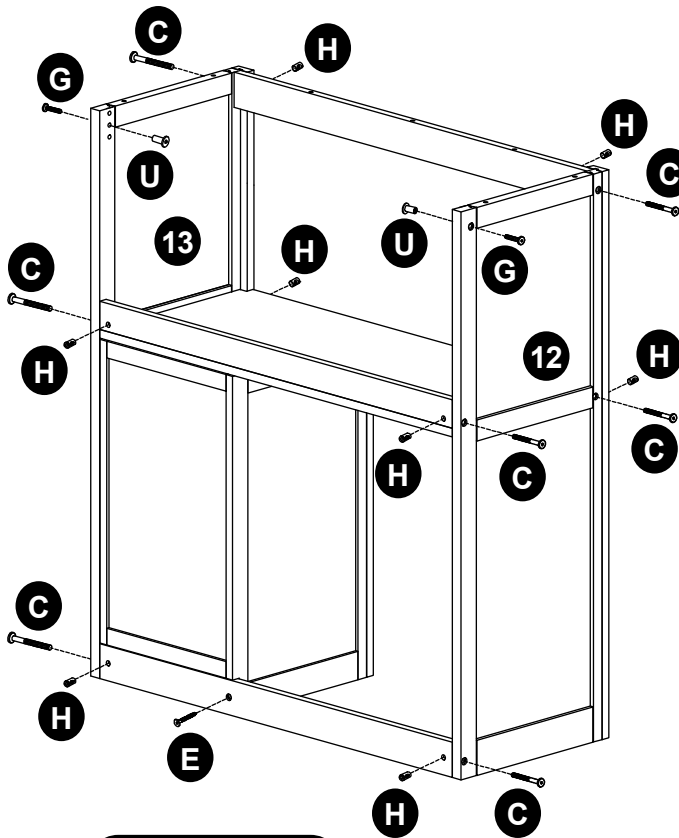
STEP 1A

Fit Desk Hutch Back Supports, Desk Top, and Left Desk Hutch Side Panel together using wood dowels(12).



STEP 2A

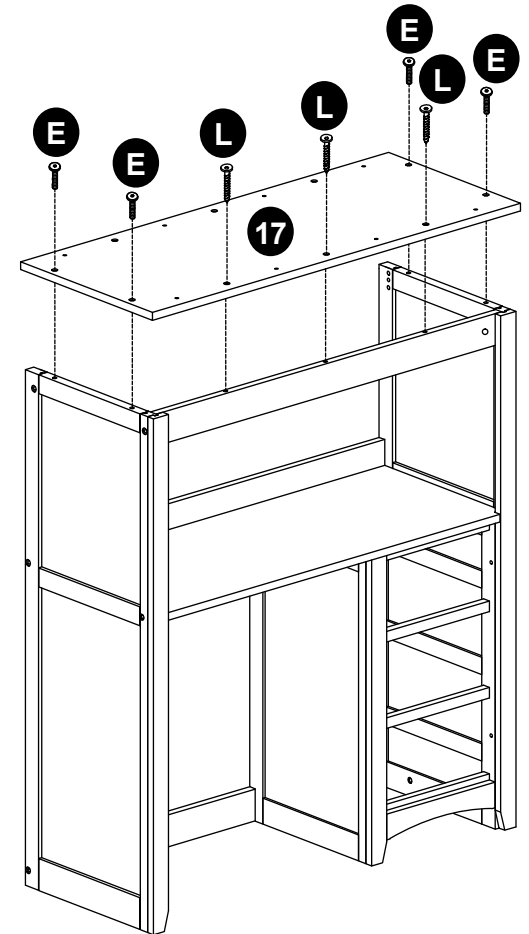
Secure Desk Hutch Side Panels and Back Supports as shown.



Inside Facing

STEP 3A

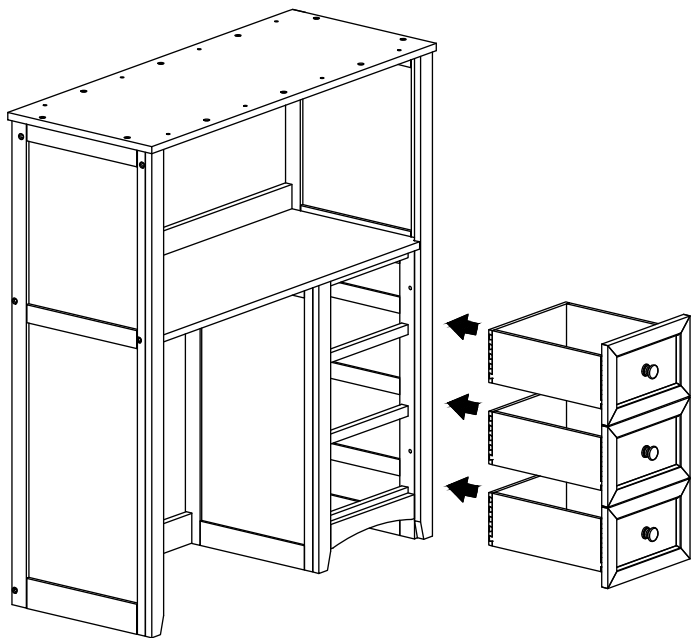
Attach Desk Hutch Top Panel.



Open Box A for Step 5

STEP 4A

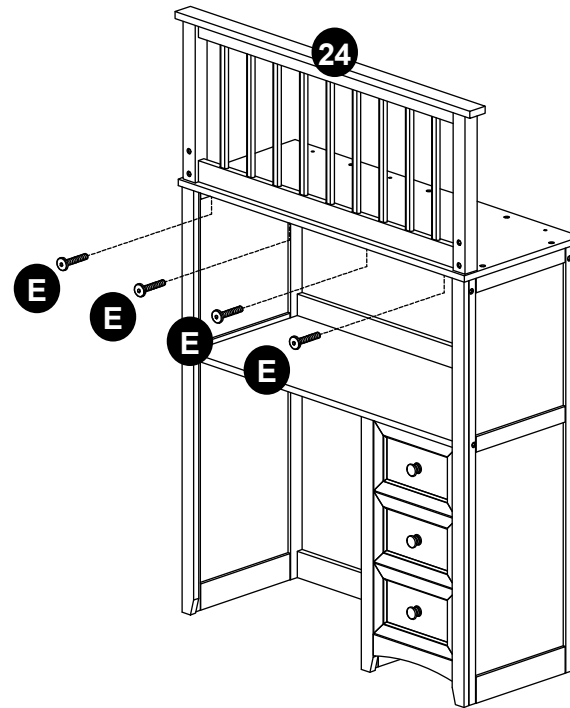
with two adults, move the Desk Hutch into position then replace the drawers.



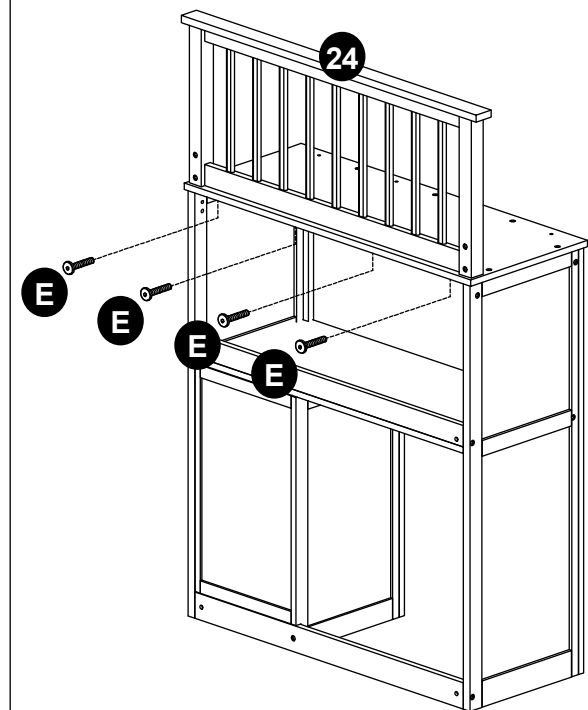
STEP 5

Steps 11-14: Upper Bed assembly

Attach Headboard to the top of the Desk Hutch.



For outside-facing
Desk assembly




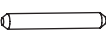




For inside-facing
Desk assembly

STOP

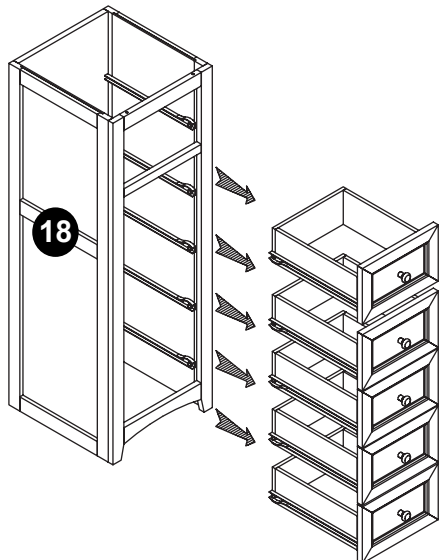
Upon completion of step 5, skip to step 6 on page 21 in the Stairloft Assembly Instructions.

PARTS LIST Open Boxes A, M, and N for Steps 1-4

C		Ø1/4-37x60mm Bolts X 8
E		Ø1/4-29x35mm Bolts X 9
H		Barrel Nuts X 8
R		Ø8x40mm Wood Dowels X 8
V		Allen Wrench X 1
W		Straight Allen Wrench X 1

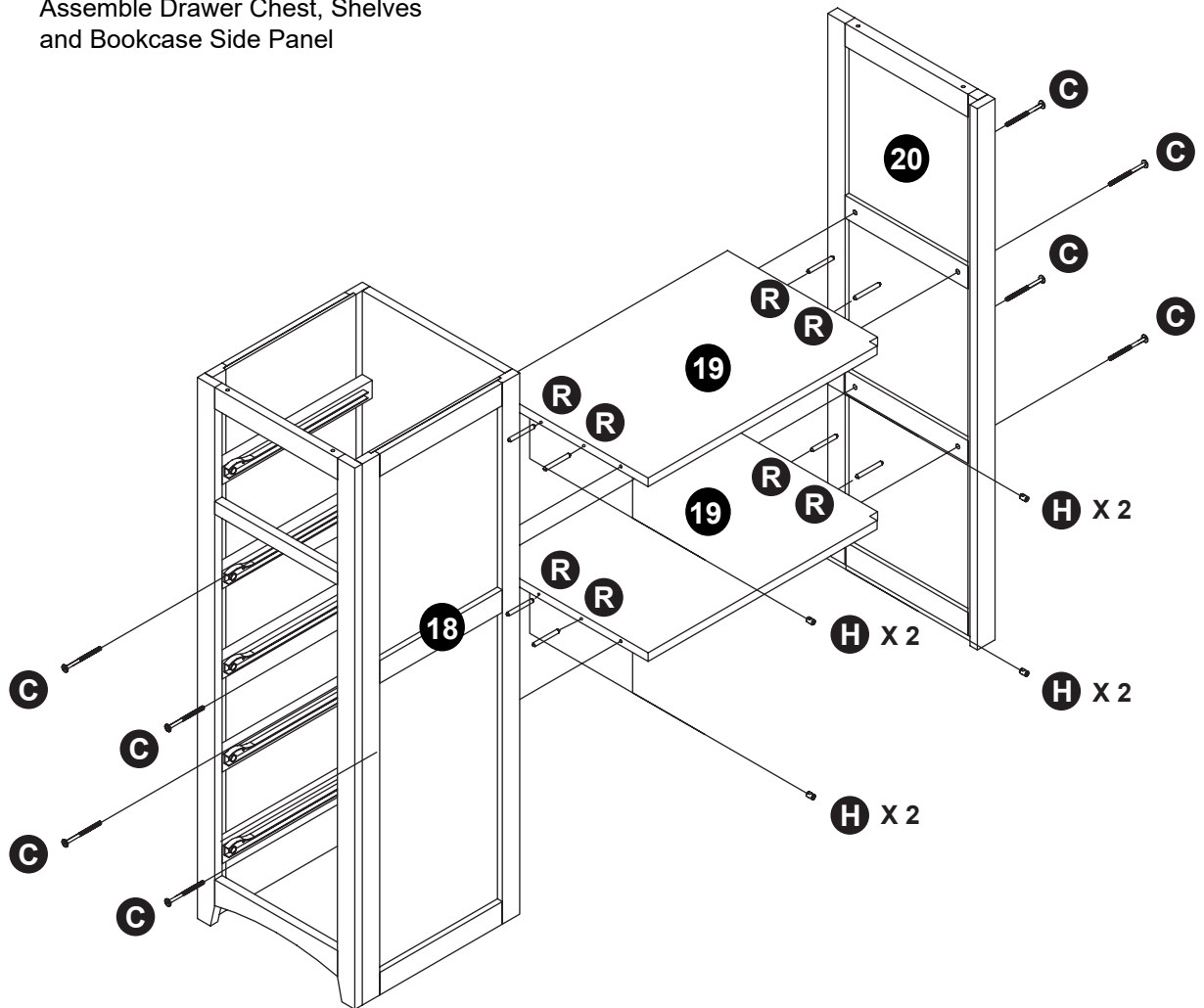
STEP 1

Remove drawers from chest.



STEP 2

Assemble Drawer Chest, Shelves and Bookcase Side Panel

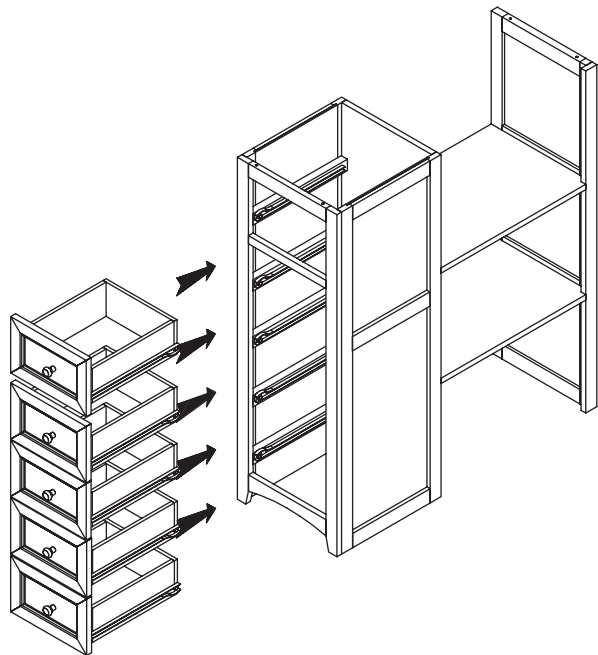


STOP

Upon completion of step 4, skip to step 6 on page 21 in the Stairloft Assembly Instructions.

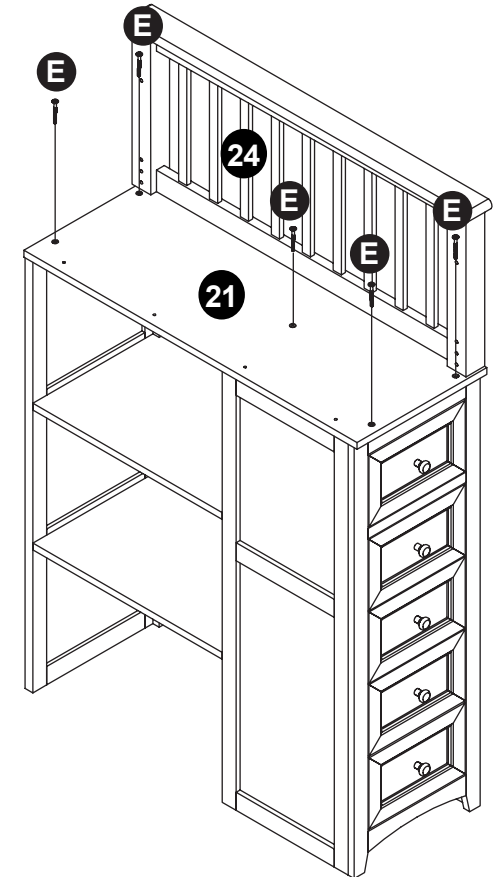
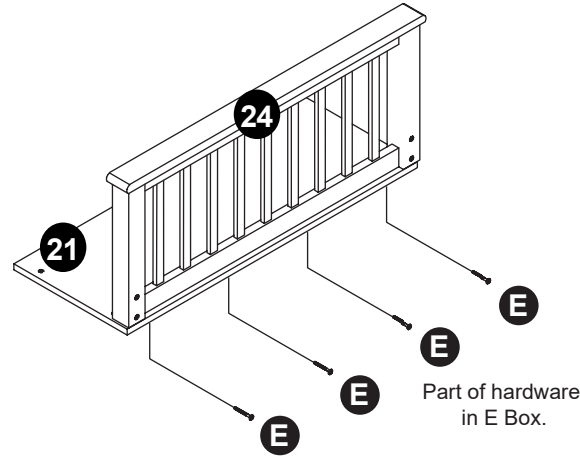
STEP 3

With two adults, lift the Bookcase into desired position then replace the Drawers.



STEP 4

Attach Head/Footboard to Bookcase Top Panel then attach Top Panel to Bookcase

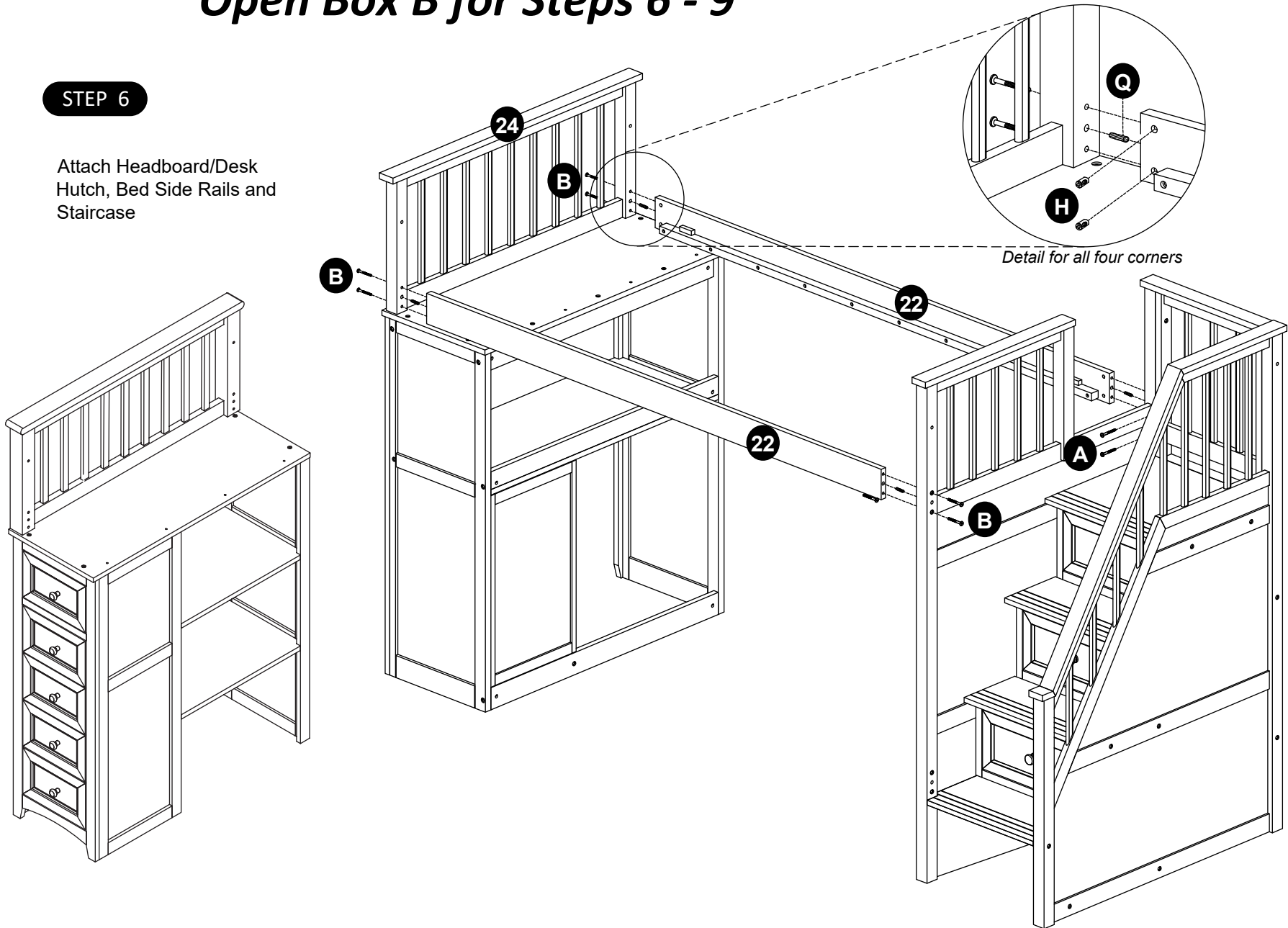


Left-hand Bookcase
(Right-hand Stair)

Open Box B for Steps 6 - 9

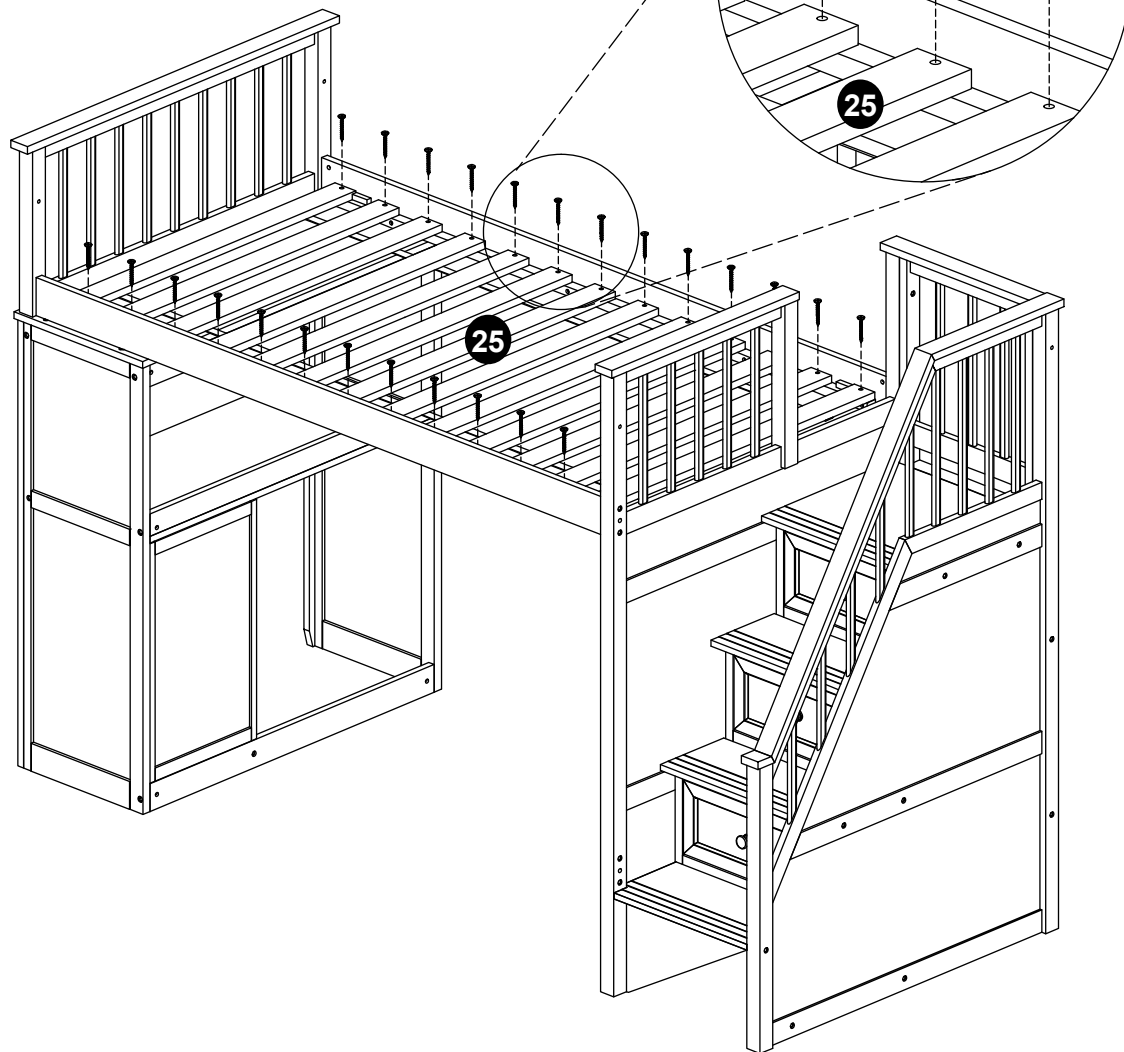
STEP 6

Attach Headboard/Desk Hutch, Bed Side Rails and Staircase



STEP 7

Attach Slats.

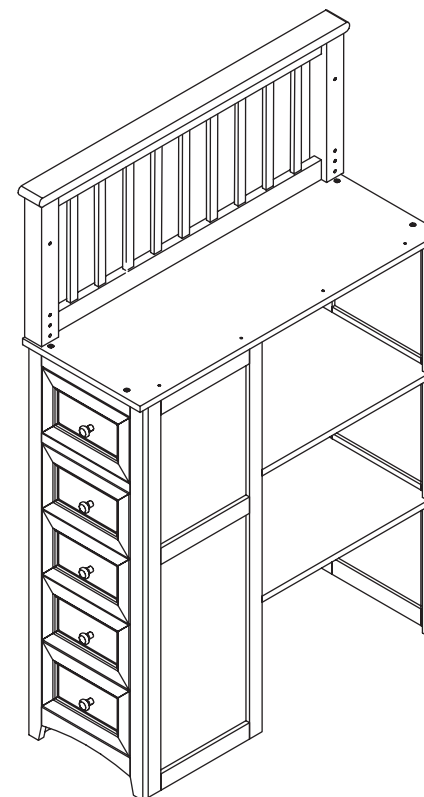


Lay slat roll between side rails and screw in slats to slat support as indicated. Make sure rails are pulled into slats prior to screwing in place.



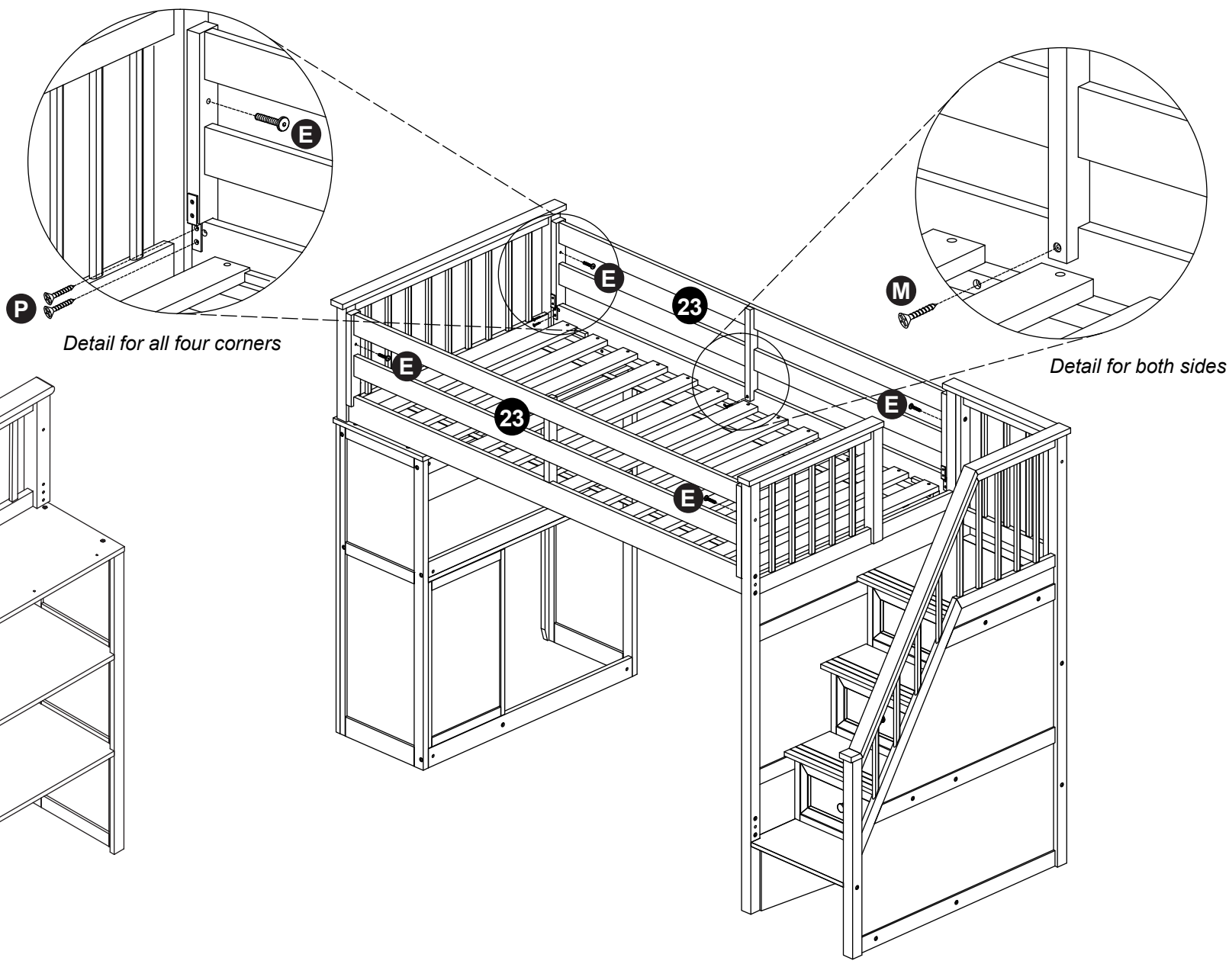
WARNING

To help prevent serious or fatal injuries **SCREW BOTH SIDES OF EACH SLAT TO THE SLAT SUPPORT**. Failure to do so could result in the collapse of the entire slat roll, **and will void your warranty**.



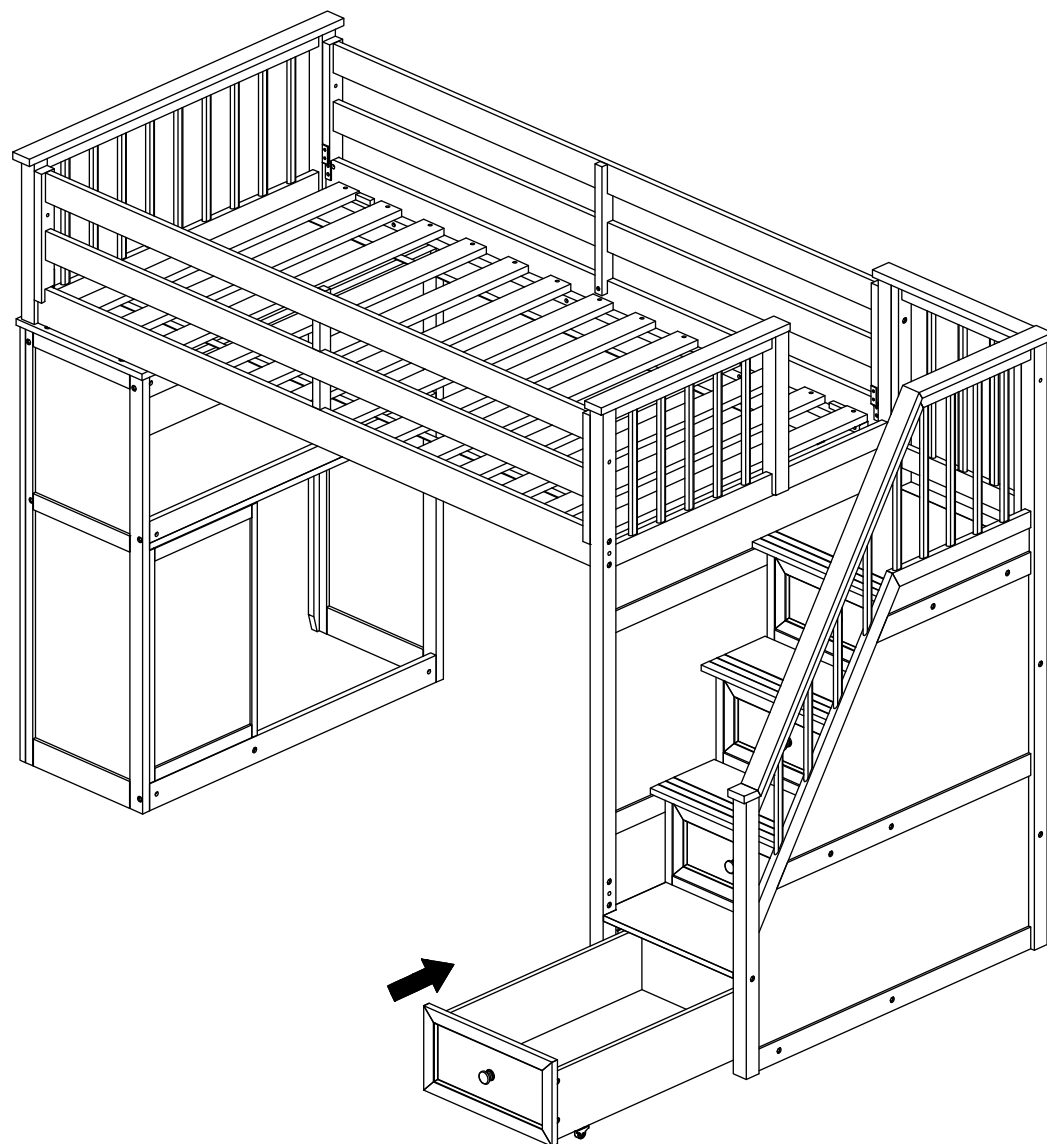
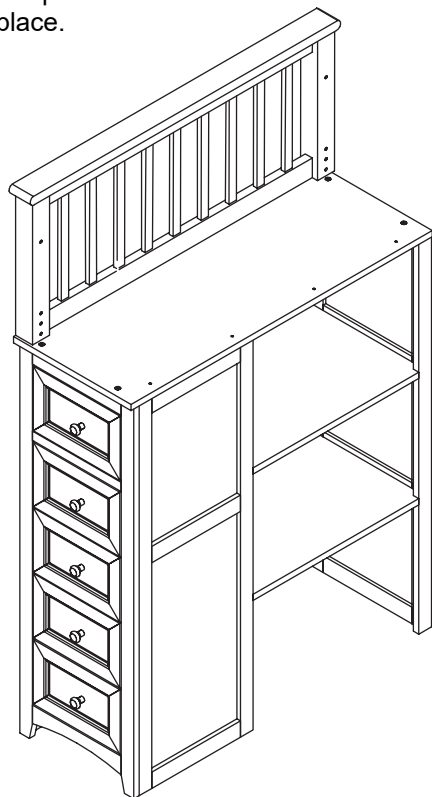
STEP 8

Attach Guard Rails.



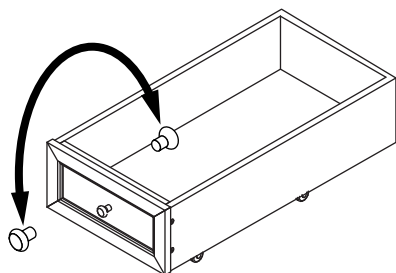
STEP 9

with at least two adults, make sure the loft is in desired final position then slide the Toy Box into place.



STEP 10

Switch the knobs from inside to outside.



NOTE: *If you chose the optional Lower Bunk, please see assembly instruction in that box.*



WARNING

Important Safety Notice

Dresser/chest can tip (fall over) when not used as intended. This could potentially result in serious injury or death. Keep your children and others safe by following these simple rules:

1. Do not allow climbing on any dresser/chest.
2. Do not leave drawers open when not in use.
3. Do not allow standing in drawers.
4. Do not allow standing on top of dresser/chest.
6. Do not place heavy objects in drawers.
7. Do not place heavy objects on top of the Dresser/chest which can be pulled down on top of your child.
8. To avoid head injury, do not allow your child to play underneath open drawers.
9. Hutches mirror, etc. Must be securely fastened to the dresser according to the instructions enclosed with those items.
10. Always monitor your child's activity when in the nursery.

CARE INSTRUCTIONS



- A lacquer finish is used on this furniture to protect the wood. **It is not waterproof, clean spills immediately.** Dust using a slightly damp cloth, making sure no standing water is left on the furniture. **DO NOT** use any household cleaners, citrus-based polishes, wood soaps, or oils; they can break down the natural lacquer finish.



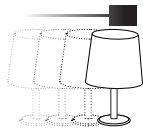
- **Do not place furniture in direct sunlight.** Natural solid wood furniture will naturally color as it ages, however, direct sunlight dramatically speeds up the process.



- In natural wood furniture, the variations in texture and grain **will affect the finish**, making it impossible to guarantee an exact match between two pieces of wood even though identical finishing processes are used. These differences in character **are not defects**, but variations that make each piece of furniture unique and beautiful.



- **Solid wood naturally expands and contracts.** In high humidity you may find that drawers can stick slightly. This will correct itself, and is not reason for concern.



- **Do not place furniture over heating or cooling vents.** Dramatic changes in temperature can cause the wood to split.

•

If you place objects such as lamps or plants on your case pieces **make sure to move them from time to time.** There may be a slight discoloration where the object was. However by exposing it to the light the color will catch up the rest of the case.



- Plastic or foam footed items such as phones or clocks can damage this finish, **use trivets under such items.**

FLYNN TWIN LOWER COMPLETE BED WITH CASTERS

INTRODUCTION

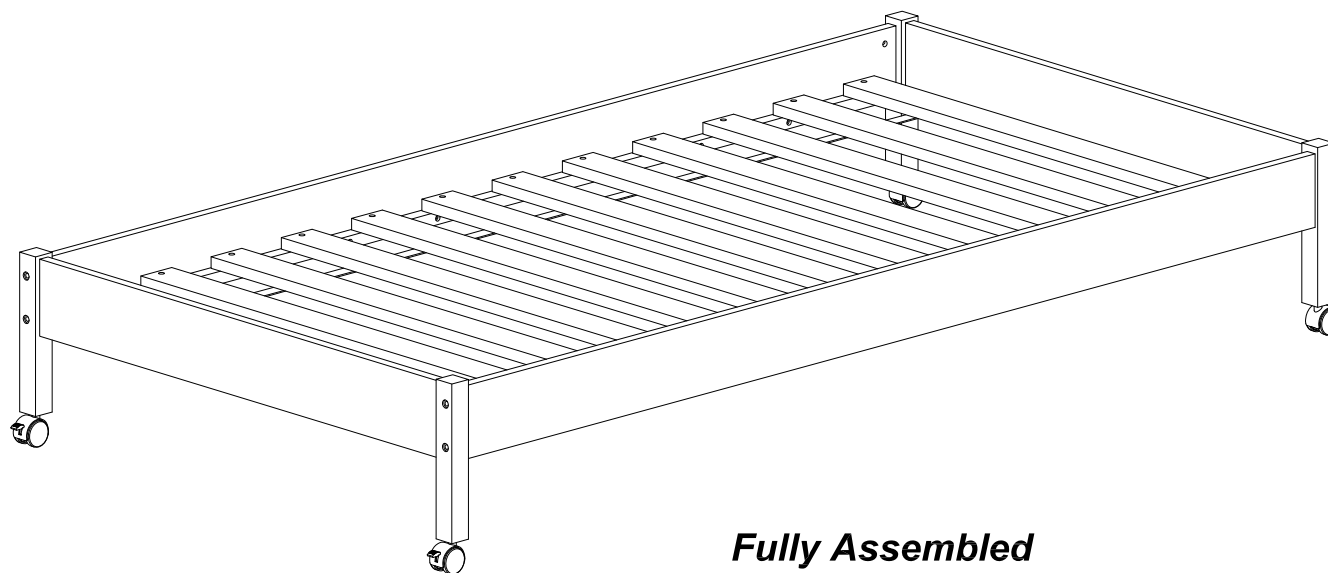
Enclosed please find simple step-by-step instructions to help you quickly assemble your product. Before you begin, we recommend that you follow the steps below.

1. Please read the instructions thoroughly
2. Identify all parts and hardware
3. Gather the tool(s) necessarily
4. 2 adults required for assembly

To protect your parts during assembly, please place them on a soft surface. To clean surface, use only water on a damp cloth. Do not use window cleaners or cleaning abrasives as it will scratch the surface and could damage the protective coating.

CUSTOMER SUPPORT









If you are missing parts or need assistance with your product, please contact the retailer from whom you purchased the product. When you call or email, please include the Product's Item Number and PO Number which is located on the Production Tracking Sticker. This sticker can be found on the bottom, inside or back of your product.



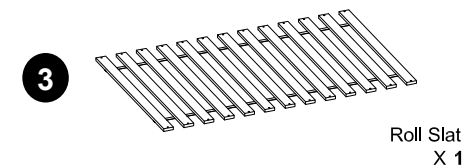
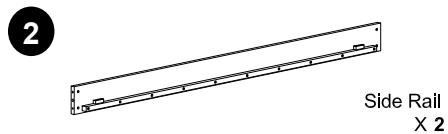
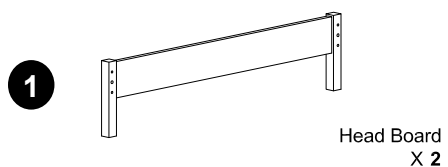
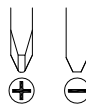
**Fully Assembled
Twin Lower Bed**

PARTS LIST

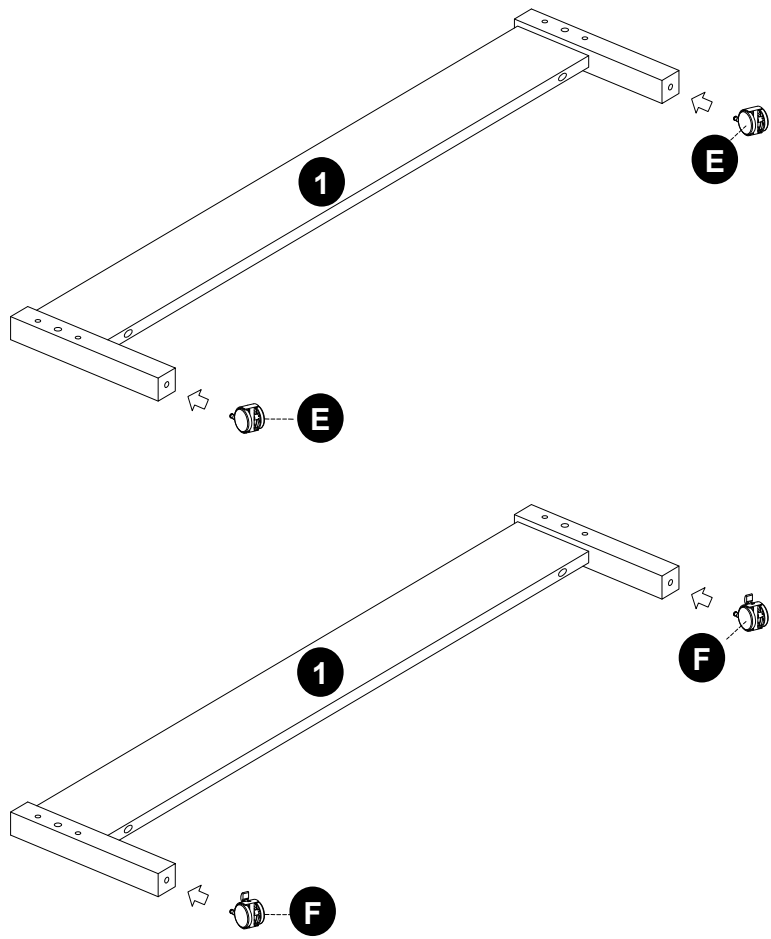
HARDWARE FOR TWIN LOWER BED

A		Ø6-48x75mm Bolts X 8
B		Barrel Nuts X 8
C		Ø4x30mm Wood Screws X 26
D		Ø10 x 40mm Wood Dowels X 4
E		Plastic Wheels X 2
F		Plastic Wheels Lock X 2
G		Allen Wrench X 1
H		Straight Allen Wrench X 1

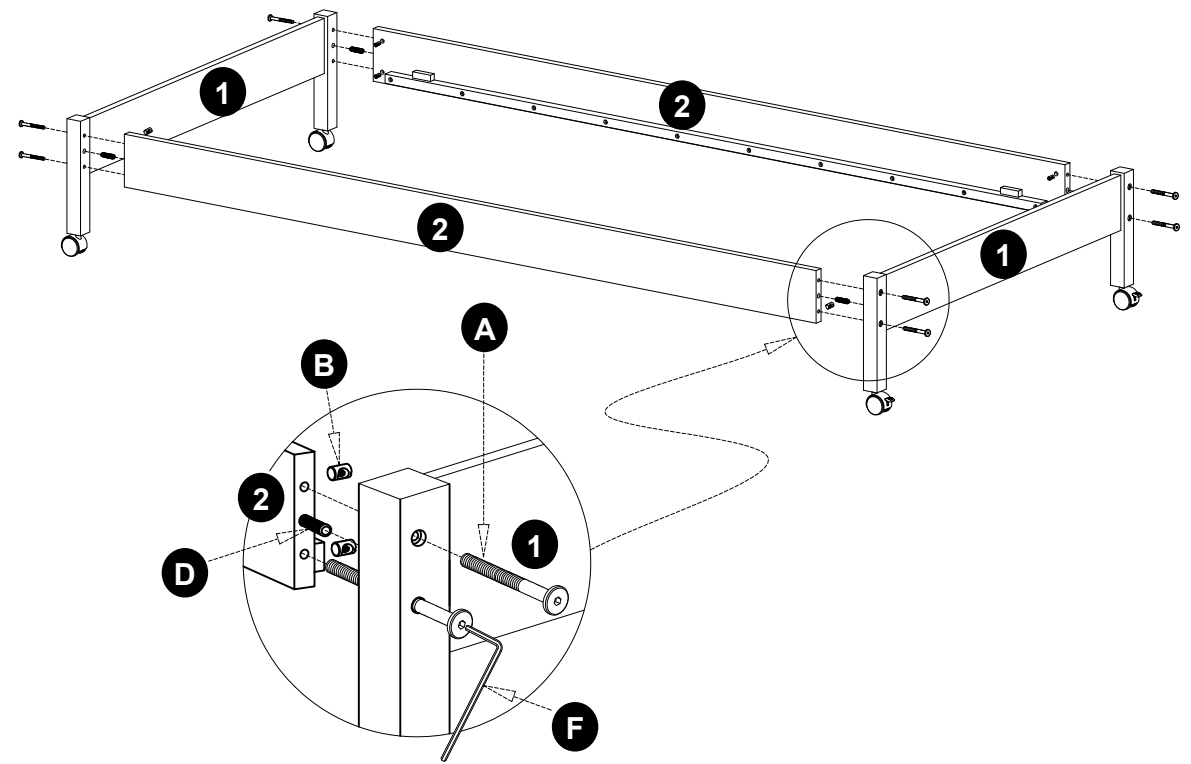
Other Tools Required
(Not Included)
.Phillips Screwdriver
.Flathead Screwdriver



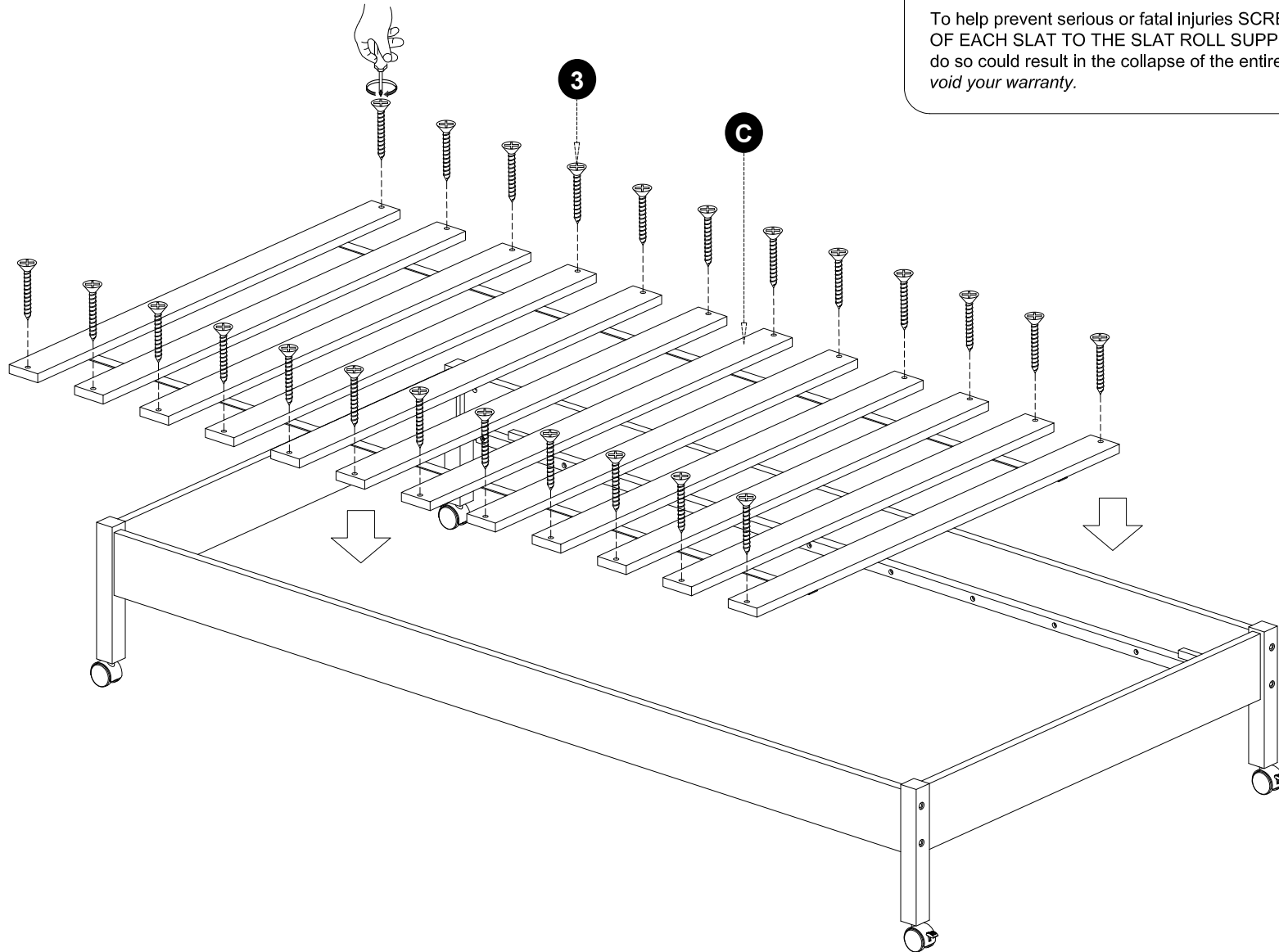
STEP 1



STEP 2



STEP 3



WARNING

To help prevent serious or fatal injuries SCREW BOTH SIDES OF EACH SLAT TO THE SLAT ROLL SUPPORT. Failure to do so could result in the collapse of the entire slat roll, and will void your warranty.



WARNING

Important Safety Notice

Dresser/chest can tip (fall over) when not used as intended. This could potentially result in serious injury or death. Keep your children and others safe by following these simple rules:

1. Do not allow climbing on any dresser/chest.
2. Do not leave drawers open when not in use.
3. Do not allow standing in drawers.
4. Do not allow standing on top of dresser/chest.
6. Do not place heavy objects in drawers.
7. Do not place heavy objects on top of the Dresser/chest which can be pulled down on top of your child.
8. To avoid head injury, do not allow your child to play underneath open drawers.
9. Hutches mirror, etc. Must be securely fastened to the dresser according to the instructions enclosed with those items.
10. Always monitor your child's activity when in the nursery.

CARE INSTRUCTIONS

Page 5 of 5



- A lacquer finish is used on this furniture to protect the wood. **It is not waterproof, clean spills immediately.** Dust using a slightly damp cloth, making sure no standing water is left on the furniture. **DO NOT** use any household cleaners, citrus-based polishes, wood soaps, or oils; they can break down the natural lacquer finish.



- **Do not place furniture in direct sunlight.** Natural solid wood furniture will naturally color as it ages, however, direct sunlight dramatically speeds up the process.



- In natural wood furniture, the variations in texture and grain **will affect the finish**, making it impossible to guarantee an exact match between two pieces of wood even though identical finishing processes are used. These differences in character **are not defects**, but variations that make each piece of furniture unique and beautiful.

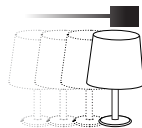


- **Solid wood naturally expands and contracts.** In high humidity you may find that drawers can stick slightly. This will correct itself, and is not reason for concern.

- **Do not place furniture over heating or cooling vents.** Dramatic changes in temperature can cause the wood to split.

•

If you place objects such as lamps or plants on your case pieces **make sure to move them from time to time.** There may be a slight discoloration where the object was. However by exposing it to the light the color will catch up the rest of the case.



- Plastic or foam footed items such as phones or clocks can damage this finish, **use trivets under such items.**

FLYNN FULL LOWER COMPLETE BED WITH CASTERS

INTRODUCTION

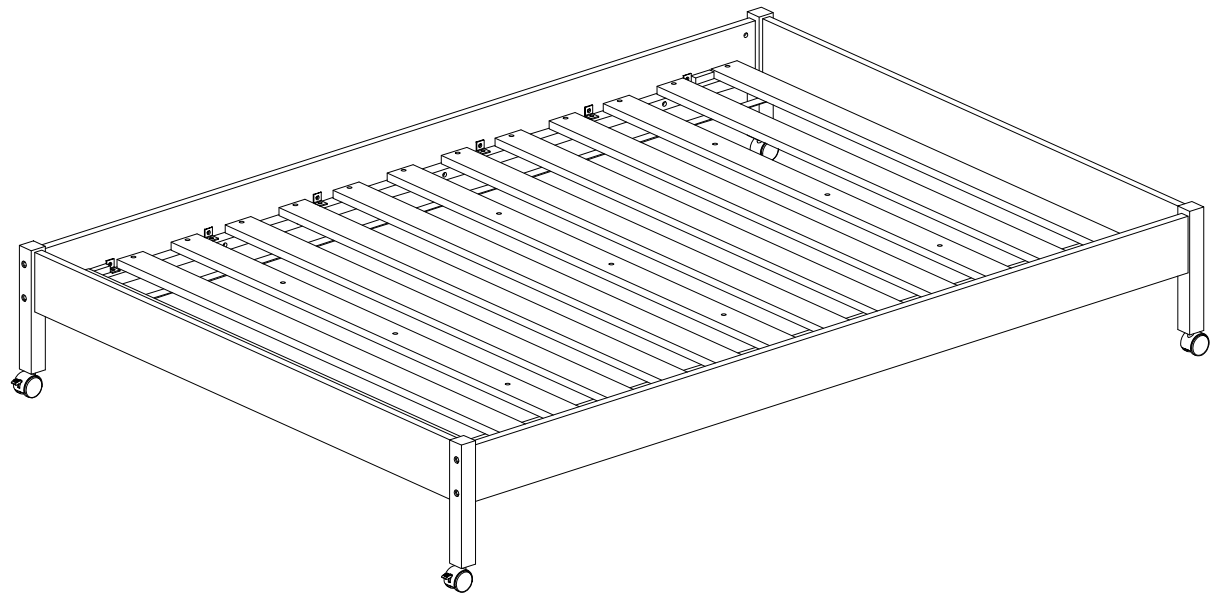
Enclosed please find simple step-by-step instructions to help you quickly assemble your product. Before you begin, we recommend that you follow the steps below.

1. Please read the instructions thoroughly
2. Identify all parts and hardware
3. Gather the tool(s) necessarily
4. 2 adults required for assembly

To protect your parts during assembly, please place them on a soft surface. To clean surface, use only water on a damp cloth. Do not use window cleaners or cleaning abrasives as it will scratch the surface and could damage the protective coating.

CUSTOMER SUPPORT



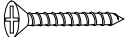





If you are missing parts or need assistance with your product, please contact the retailer from whom you purchased the product. When you call or email, please include the Product's Item Number and PO Number which is located on the Production Tracking Sticker. This sticker can be found on the bottom, inside or back of your product.



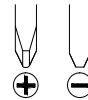
**Fully Assembled
Full Lower Bed**

PARTS LIST

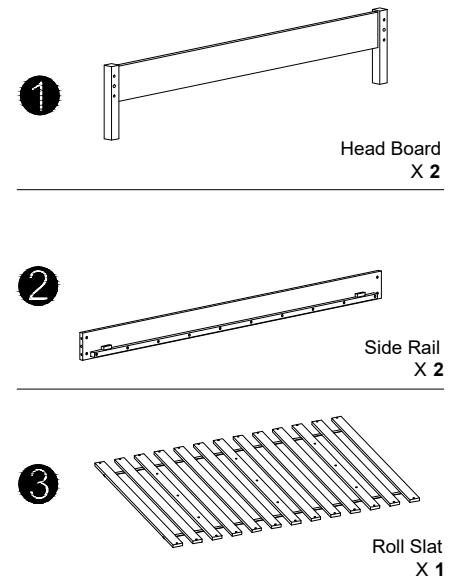
HARDWARE FOR FULL LOWER BED

A		Ø6-48x75mm Bolts X 8
B		Barrel Nuts X 8
C		Ø4x30mm Wood Screws X 26
D		Ø10 x 40mm Wood Dowels X 4
E		Plastic Wheels X 2
F		Plastic Wheels Lock X 2
G		Allen Wrench X 1
H		Straight Allen Wrench X 1

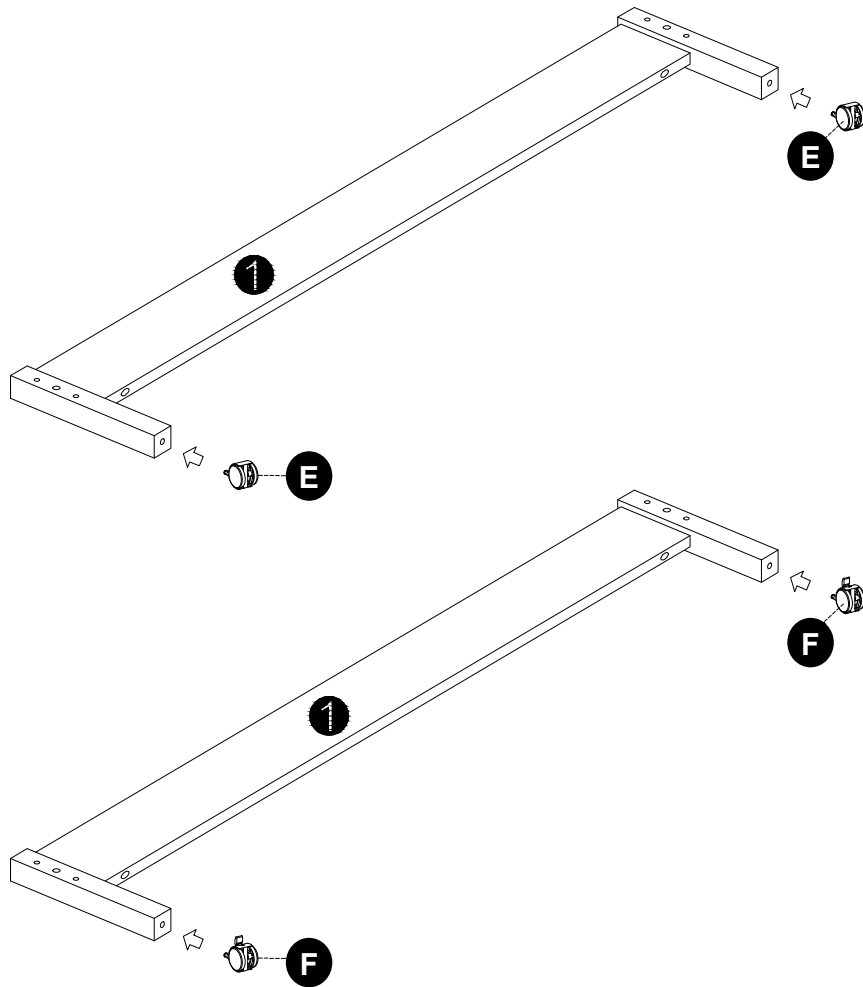
Other Tools Required
(Not Included)
.Phillips Screwdriver
.Flathead Screwdriver



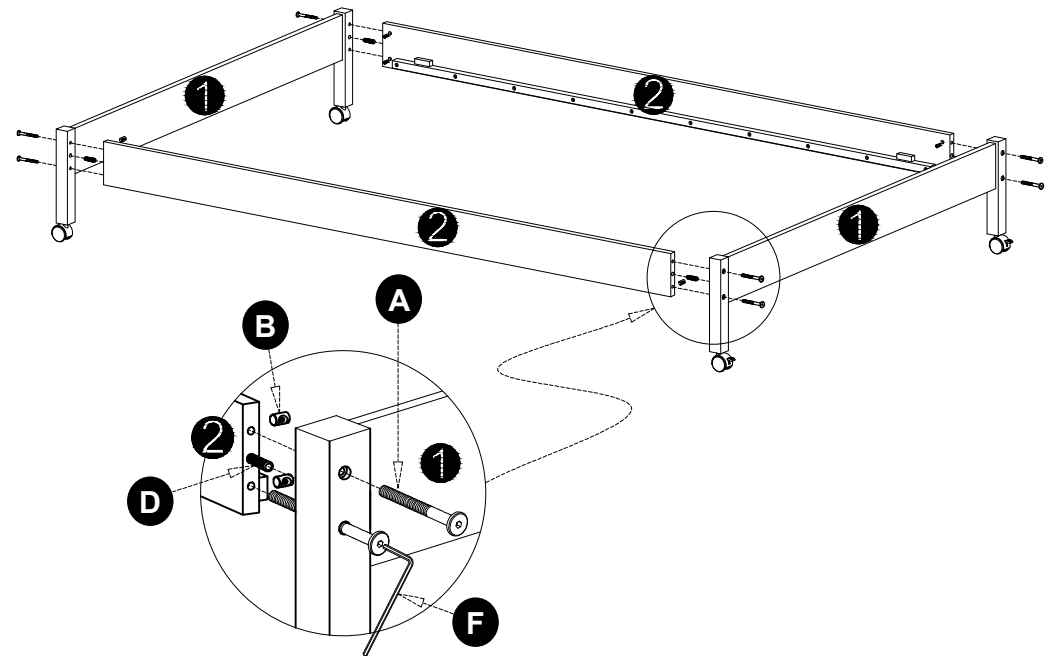
PARTS IDENTIFICATION



STEP 1



STEP 2

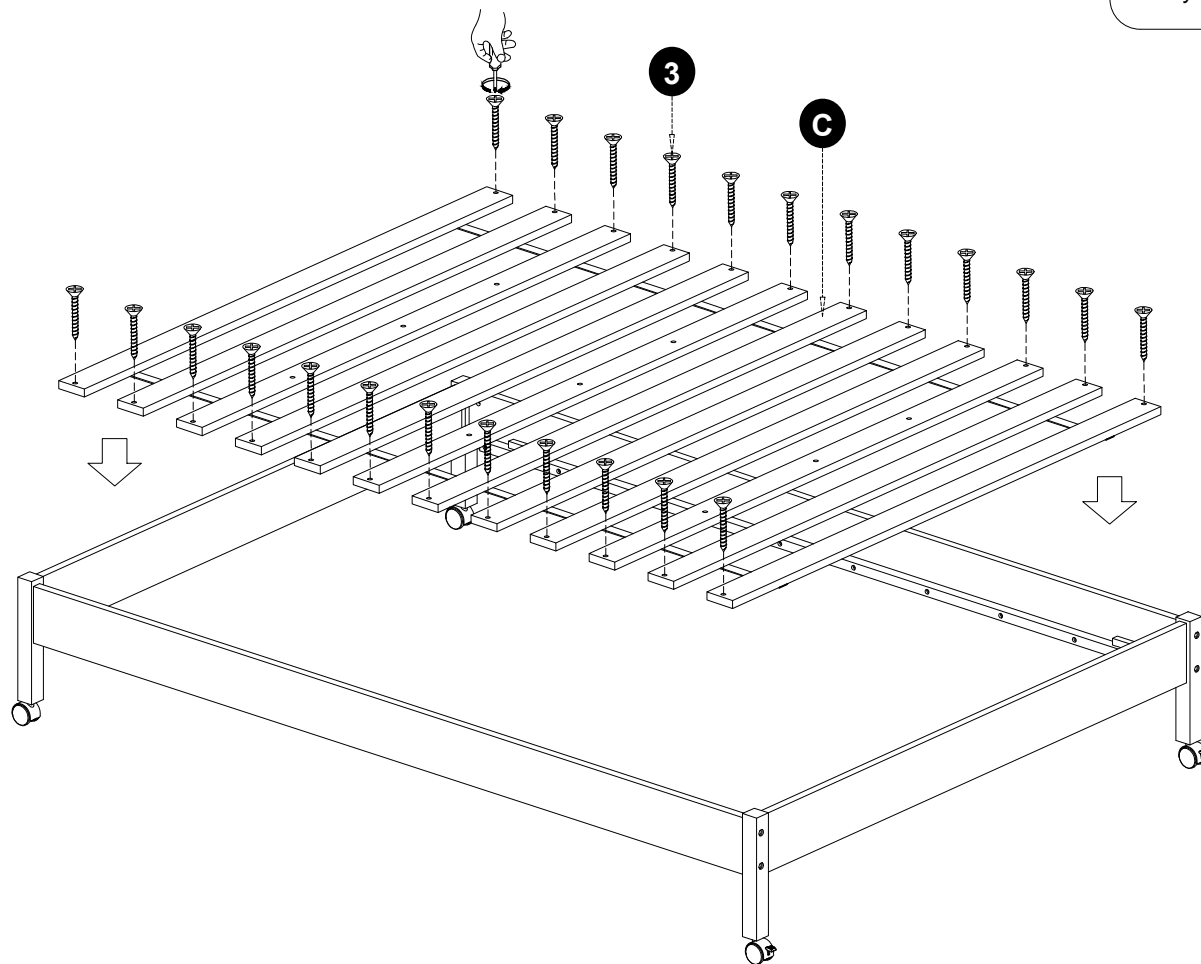


STEP 3



WARNING

To help prevent serious or fatal injuries **SCREW BOTH SIDES OF EACH SLAT TO THE SLAT ROLL SUPPORT**. Failure to do so could result in the collapse of the entire slat roll, *and will void your warranty.*



CARE INSTRUCTIONS



WARNING

Important Safety Notice

Dresser/chest can tip (fall over) when not used as intended. This could potentially result in serious injury or death. Keep your children and others safe by following these simple rules:

1. Do not allow climbing on any dresser/chest.
2. Do not leave drawers open when not in use.
3. Do not allow standing in drawers.
4. Do not allow standing on top of dresser/chest.
6. Do not place heavy objects in drawers.
7. Do not place heavy objects on top of the Dresser/chest which can be pulled down on top of your child.
8. To avoid head injury, do not allow your child to play underneath open drawers.
9. Hutches mirror, etc. Must be securely fastened to the dresser according to the instructions enclosed with those items.
10. Always monitor your child's activity when in the nursery.



- A lacquer finish is used on this furniture to protect the wood. **It is not waterproof, clean spills immediately.** Dust using a slightly damp cloth, making sure no standing water is left on the furniture. **DO NOT** use any household cleaners, citrus-based polishes, wood soaps, or oils; they can break down the natural lacquer finish.



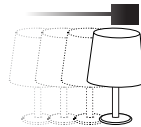
- **Do not place furniture in direct sunlight.** Natural solid wood furniture will naturally color as it ages, however, direct sunlight dramatically speeds up the process.



- In natural wood furniture, the variations in texture and grain **will affect the finish**, making it impossible to guarantee an exact match between two pieces of wood even though identical finishing processes are used. These differences in character **are not defects**, but variations that make each piece of furniture unique and beautiful.



- **Solid wood naturally expands and contracts.** In high humidity you may find that drawers can stick slightly. This will correct itself, and is not reason for concern.



- **Do not place furniture over heating or cooling vents.** Dramatic changes in temperature can cause the wood to split.

If you place objects such as lamps or plants on your case pieces **make sure to move them from time to time.** There may be a slight discoloration where the object was. However by exposing it to the light the color will catch up the rest of the case.



- Plastic or foam footed items such as phones or clocks can damage this finish, **use trivets under such items.**