



ASSEMBLY INSTRUCTIONS

ITEM NO: 195-S318-534 / 535 / 400

DESCRIPTION: 5/0 PANEL BED
FLORENCE

Thank you for purchasing this quality product. Be sure to check all packing material carefully for small parts that may have come loose inside the carton during shipment.

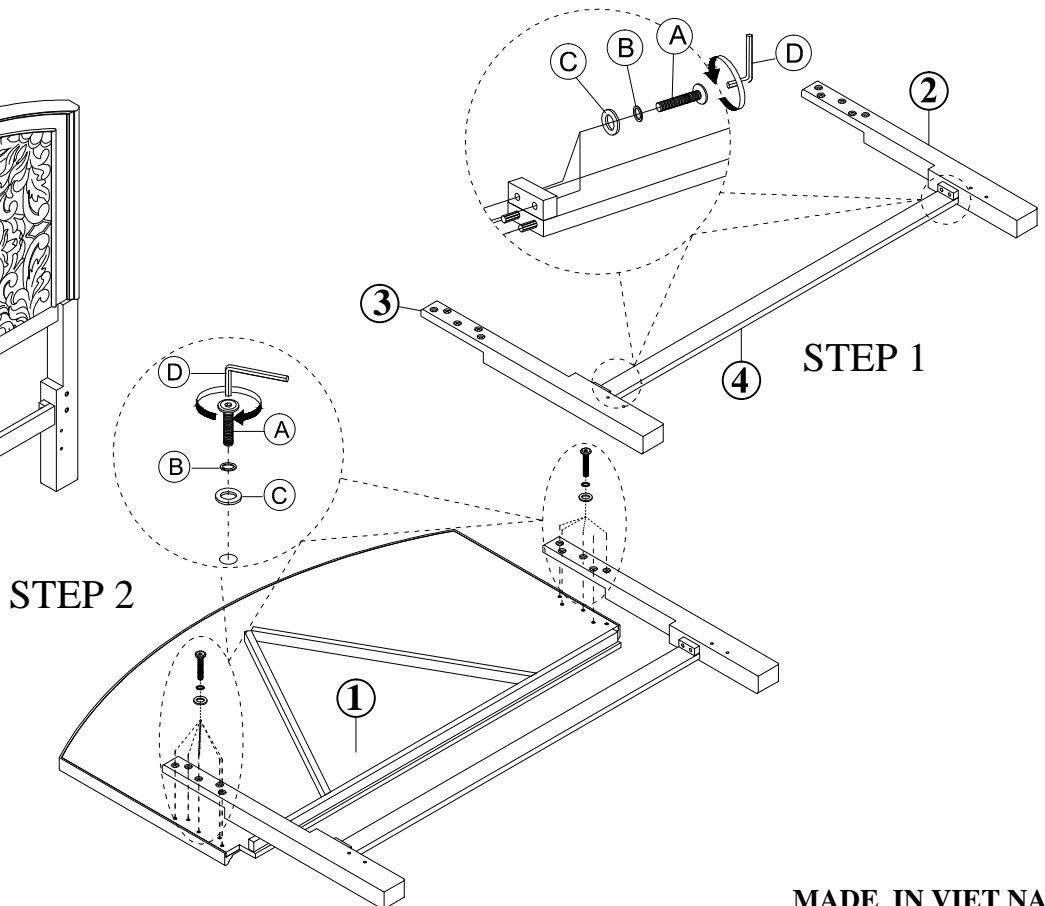
PARTS LIST HEADBOARD			
No.	Description	Sketch	Quantity
1	Headboard Panel		1 Pc
2	Left Leg Headboard		1 Pc
3	Right Leg Headboard		1 Pc
4	Bottom Rail		1 Pc
5	Footboard		1 Pc
6	Slat		5 Pcs
7	Slat Support		5 Pcs
8	Bed Rails		2 Pcs

HARDWARE LIST OF HEADBOARD:				
No.	Description	Sketch	Size	Q.ty
A	Bolt		Ø1/4 x 1*9/16"	14 Pcs
B	Spring Washer		Ø1/4	14 Pcs
C	Flat Washer		Ø1/4 x19mm	14 Pcs
D	Allen Wrench		M4	1 Pc
E	Straight Allen Key		M4 x 100mm	1 Pc

HARDWARE LIST OF FOOTBOARD				
F	Screw		M4 x 25mm	10 Pcs

HARDWARE LIST OF RAILS				
G	Bolt		Ø5/16 x 1"	8 Pcs
H	Spring Washer		Ø5/16 "	8 Pcs
K	Flat Washer		Ø5/16 " x19mm	8 Pcs
M	Wrench		12 mm	1 Pc

TOOLS REQUIRED (NOT PROVIDED)	
PHILLIPS SCREWDRIVER	





ASSEMBLY INSTRUCTIONS

ITEM NO: 195-S318-534 / 535 / 400

DESCRIPTION: 5/0 PANEL BED

FLORENCE

