



# ASSEMBLY INSTRUCTIONS

ITEM NO: 195-S318-532 / 533 / 401/ 641

DESCRIPTION: 4/6 PANEL BED & 4/6 CANOPY  
FLORENCE

Thank you for purchasing this quality product. Be sure to check all packing material carefully for small parts that may have come loose inside the carton during shipment.

## PARTS LIST HEADBOARD

No.	Description	Sketch	Quantity
1	Headboard Panel		1 Pc
2	Left Leg Headboard		1 Pc
3	Right Leg Headboard		1 Pc
4	Bottom Rail		1 Pc
5	Footboard		1 Pc
6	Slat		4 Pcs
7	Slat Support		4 Pcs
8	Bed Rails		2 Pcs
9	Right Post Canopy		1 Pc
10	Left Post Canopy		1 Pc
11	Short Stretcher		2 Pcs
12	Long Stretcher		2 Pcs
13	Top Frame Canopy		1 Pc

## HARDWARE LIST OF HEADBOARD:

No.	Description	Sketch	Size	Q.ty
A	Bolt		Ø1/4 x 1*9/16"	14 Pcs
B	Spring Washer		Ø1/4	14 Pcs
C	Flat Washer		Ø1/4 x 19mm	14 Pcs
D	Allen Wrench		M4	1 Pc
E	Straight Allen Key		M4 x 100mm	1 Pc

## HARDWARE LIST OF FOOTBOARD

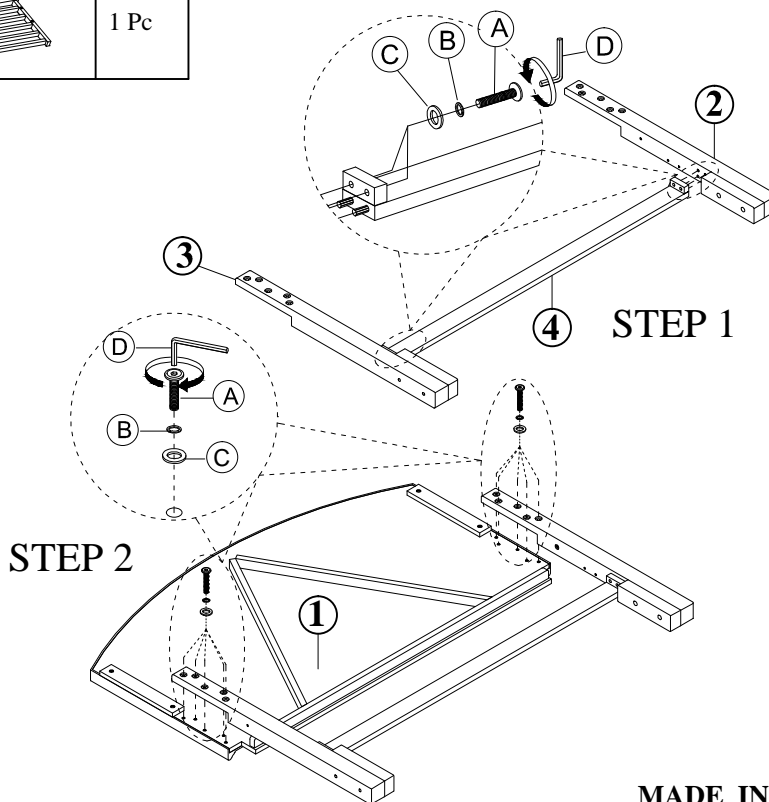
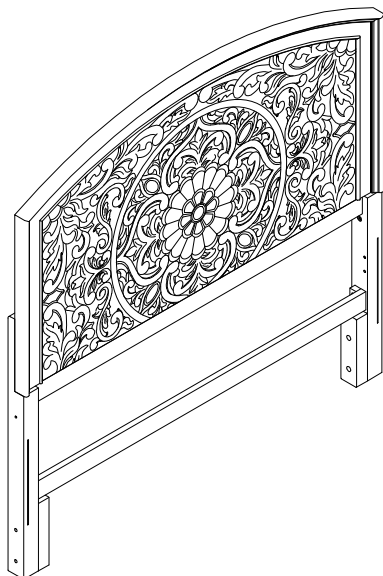
F	Screw		M4 x 25mm	8 Pcs
---	-------	--	-----------	-------

## HARDWARE LIST OF CANOPY

G	Bolt		Ø1/4 x 2*1/3"	10 Pcs
H	Bolt		Ø1/4 x 3"	6 Pcs
B	Spring Washer		Ø1/4	18 Pcs
C	Flat Washer		Ø1/4 x 19mm	18 Pcs
D	Allen Wrench		M4	1 Pc
E	Straight Allen Key		M4 x 100mm	1 Pc
K	Bolt		Ø1/4 x 3/4"	8 Pcs
M	Bracket		100 x 25 x 3mm	4 Pcs

## TOOLS REQUIRED (NOT PROVIDED)

PHILLIPS SCREWDRIVER

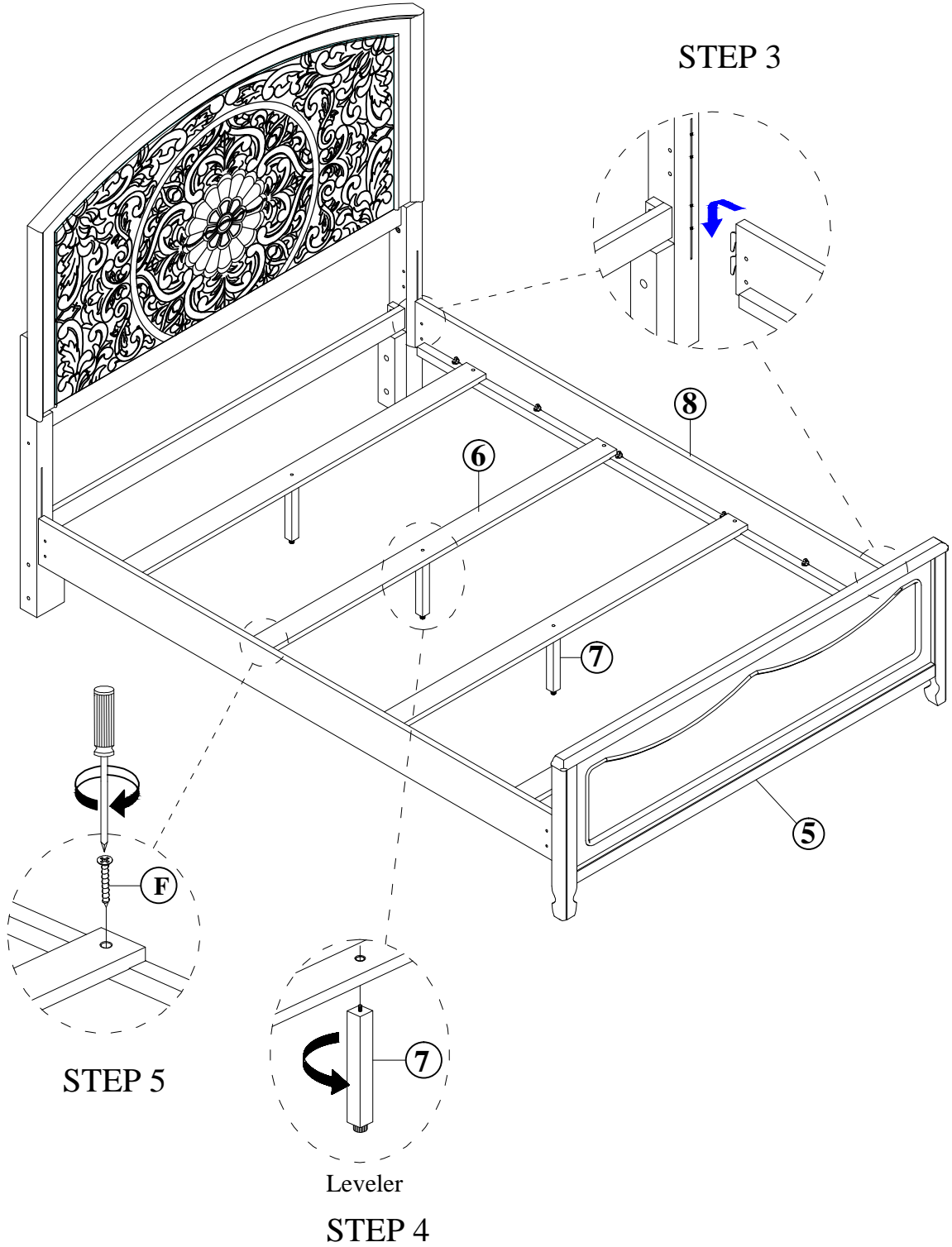




# ASSEMBLY INSTRUCTIONS

ITEM NO: 195-S318-532 / 533 / 401/ 641

DESCRIPTION: 4/6 PANEL BED & 4/6 CANOPY  
FLORENCE





# ASSEMBLY INSTRUCTIONS

ITEM NO: 195-S318-532 / 533 / 401/ 641

DESCRIPTION: 4/6 PANEL BED & 4/6 CANOPY  
FLORENCE

