



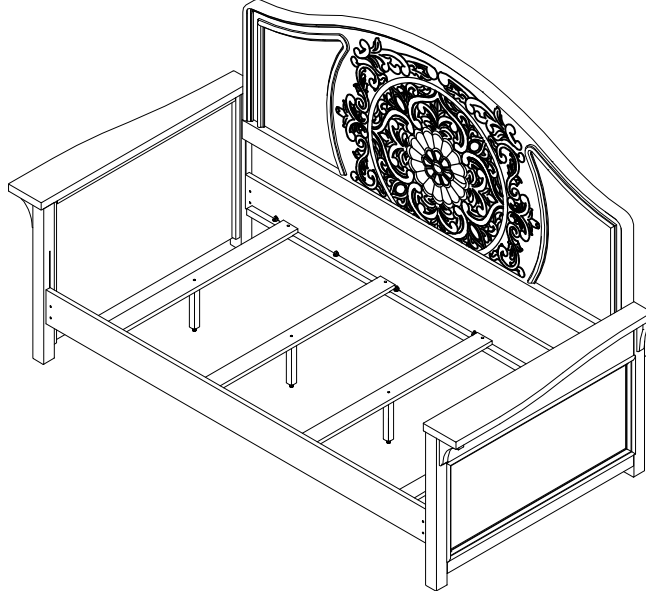
ASSEMBLY INSTRUCTIONS

ITEM NO: 195-S318-750 / 751

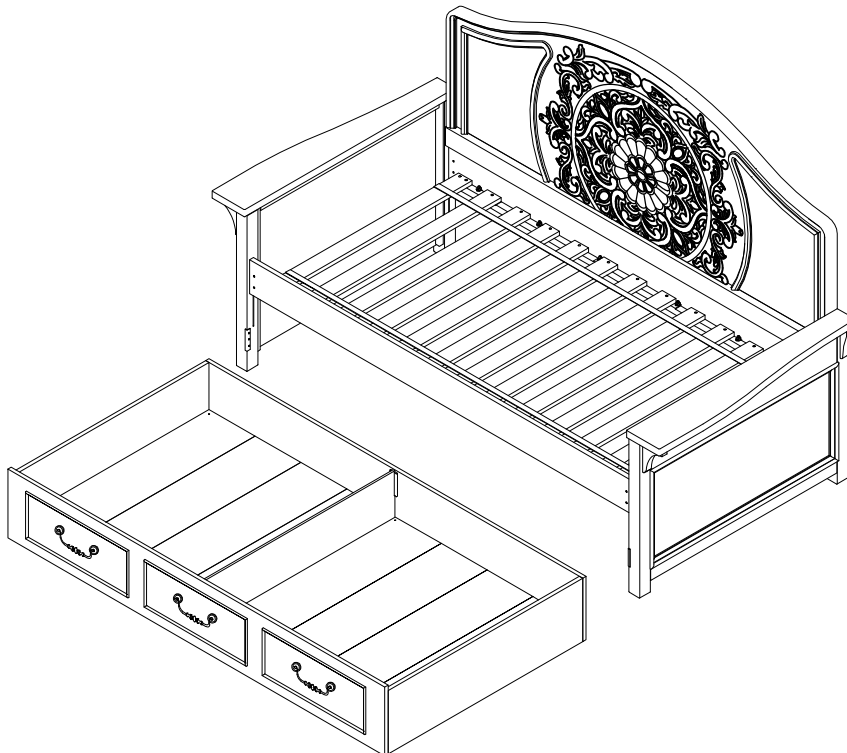
DESCRIPTION: 3/3 DAY BED

FLORENCE

Thank you for purchasing this quality product. Be sure to check all packing material carefully for small parts that may have come loose inside the carton during shipment.



3/3 DAY BED



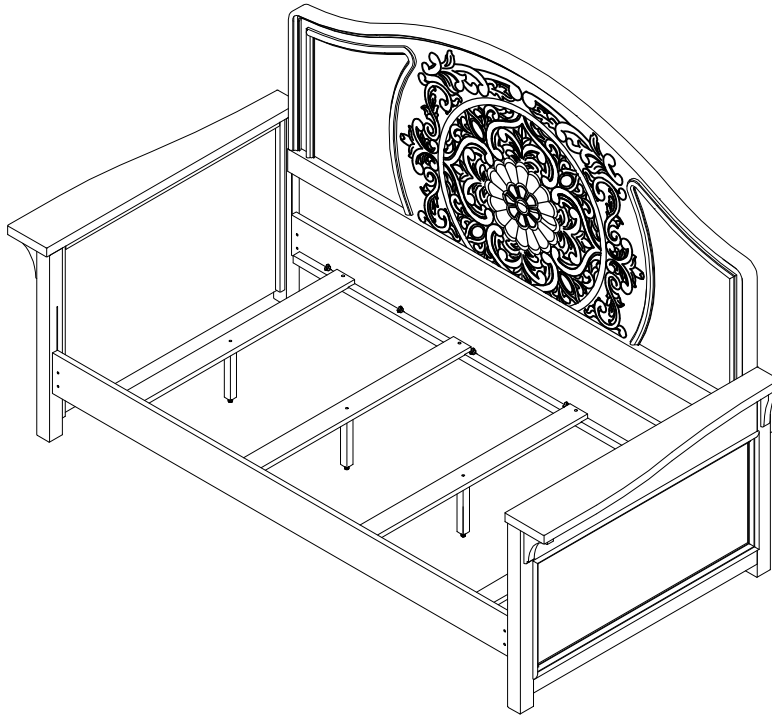
3/3 DAY BED - SALT - 33 & TRUNDLE



ASSEMBLY INSTRUCTIONS

ITEM NO: 195-S318-750 / 751

DESCRIPTION: 3/3 DAY BED
FLORENCE

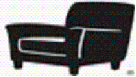


PART LIST			
No.	Drawing	Descriptions	Qty.
A		3/3 Day bed ends)	2 PCS
B		3/3 Day bed back	1 PC
C		Wood Block	2 PCS
D		Side Rails	2 PCS
E		Slats	4 PCS
F		Support legs	4 PCS
G		3/3 Slat Roll	1 SET

TOOLS REQUIRED (NOT PROVIDED)			
	PHILLIPS SCREWDRIVER		

HARDWARE LIST (For 195-S318-751 Day bed back)				
No.	Drawing	Descriptions	Size	Qty.
1		Bolt	5/16" x 1*3/8"	12 PCS
2		Lock washer	5/16"	12 PCS
3		Flat washer	5/16" x 19mm	12 PCS
4		Allen Key	M4	1 PC
5		Straight Allen Key	M4 x 100mm	1 PC
6		Screw	M4 x 25mm	8 PCS

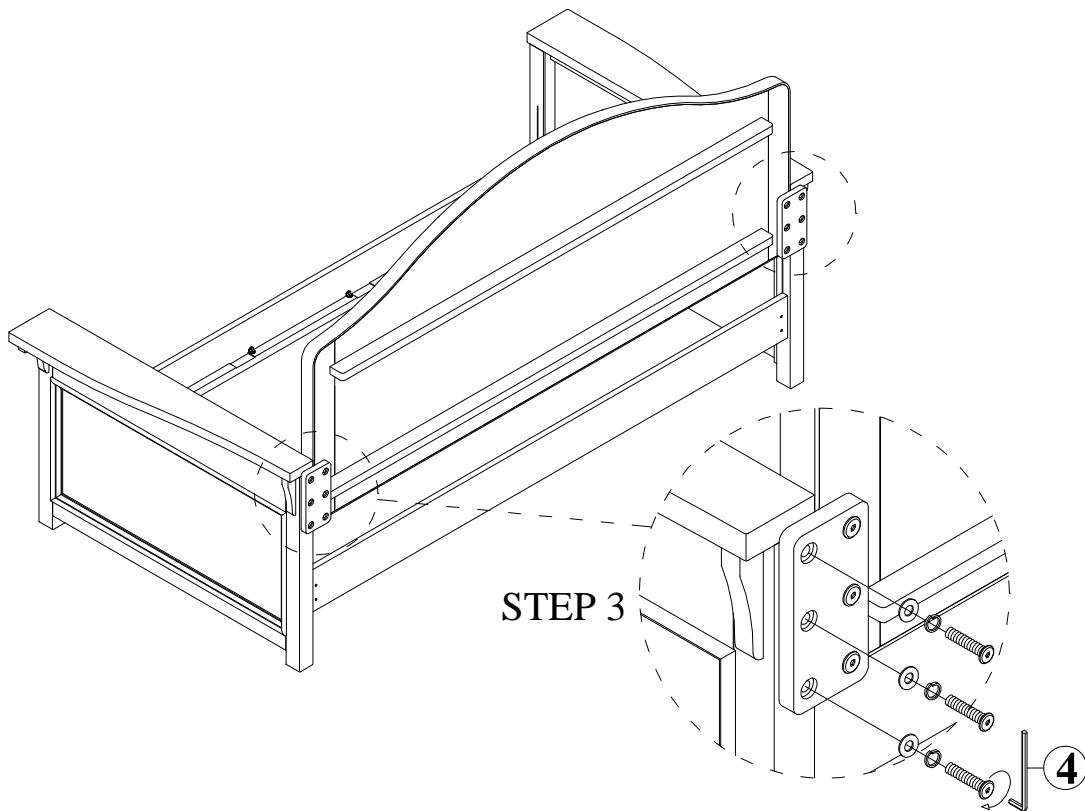
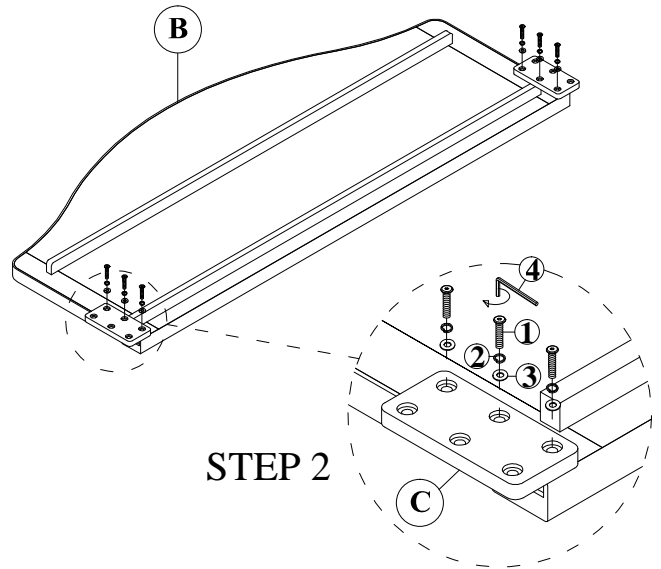
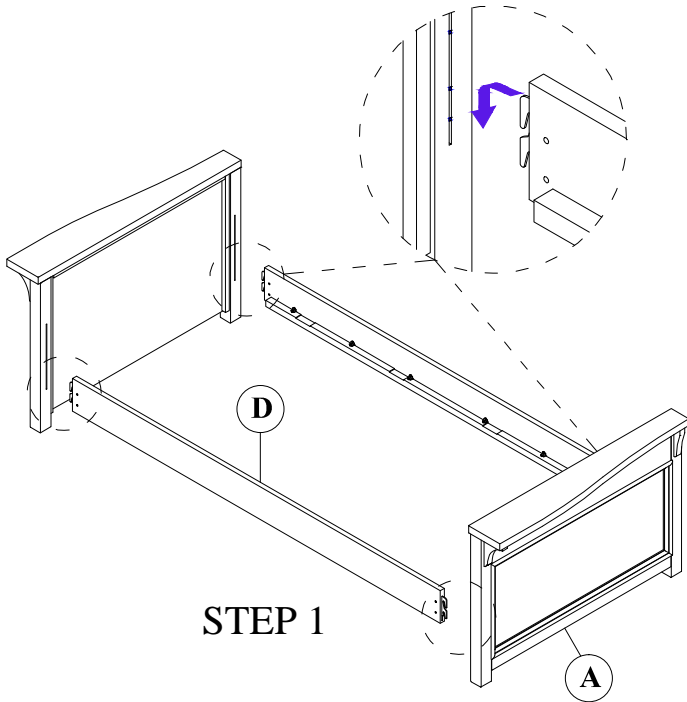
HARDWARE LIST (For SLATR-33)				
No.	Drawing	Descriptions	Size	Qty.
6		Screw	M4 x 25 mm	26 PCS



ASSEMBLY INSTRUCTIONS

ITEM NO: 195-S318-750 / 751

DESCRIPTION: 3/3 DAY BED
FLORENCE





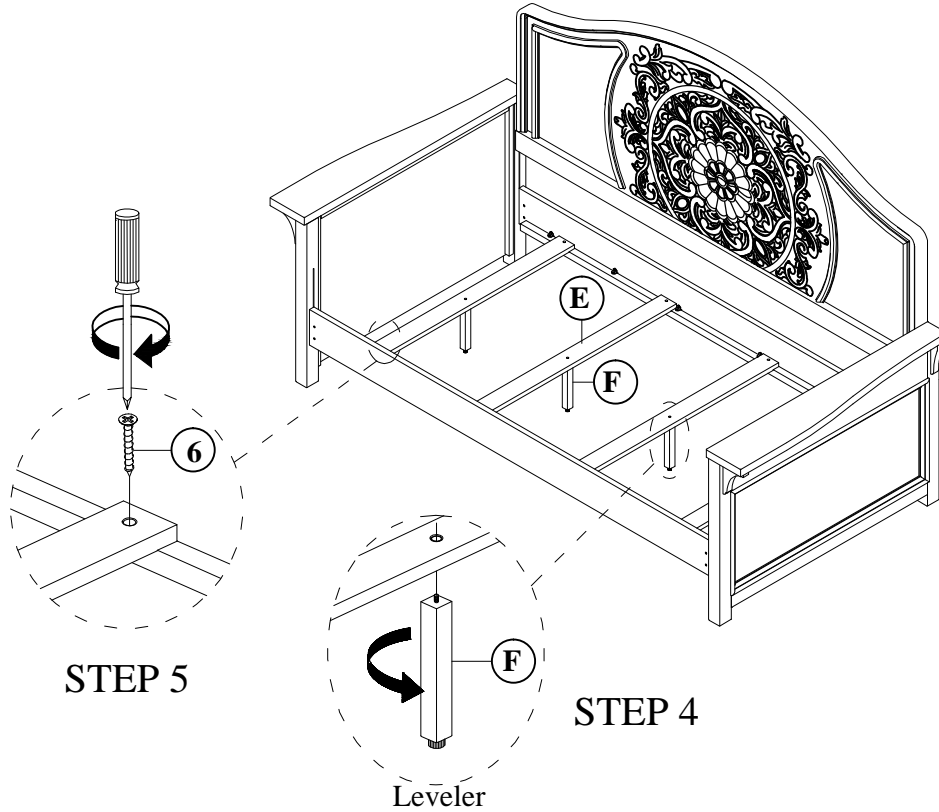
ASSEMBLY INSTRUCTIONS

ITEM NO: 195-S318-750 / 751

DESCRIPTION: 3/3 DAY BED

FLORENCE

3/3 DAY BED



3/3 DAY BED & TRUNDLE

