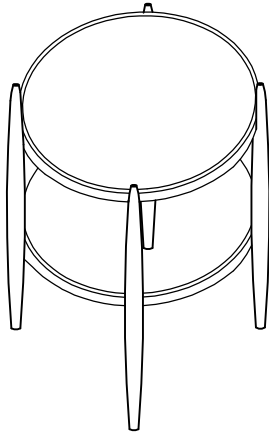




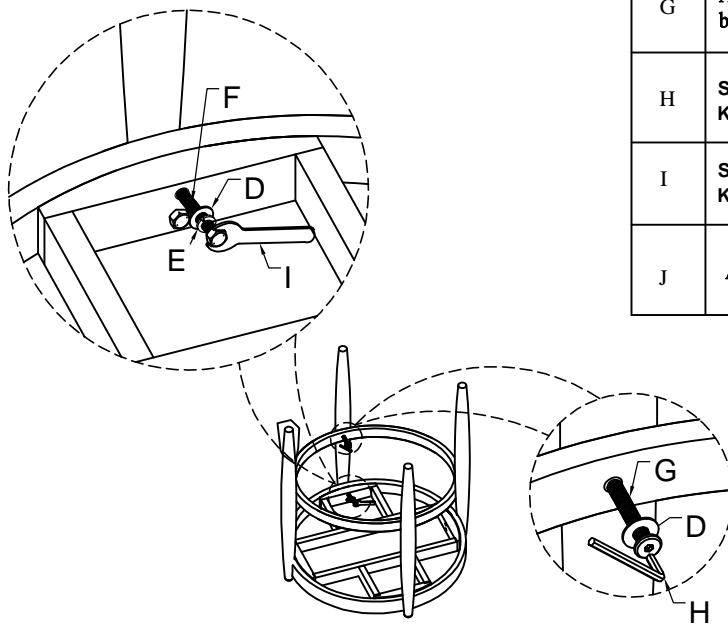
ASSEMBLY INSTRUCTIONS
ITEM NO: MD1192/ MD1192DBR
END TABLE-FARRAH PINE/ FARRAH
DARK BROWN

Thank you for purchasing this quality product. Be sure to check all packing material carefully for small parts that may have come loose inside the carton during shipment.



PARTS LIST:			
No.	Description	Sketch	Quantity
A	Top table		1
B	Round Stretcher		1
C	Legs		4

HARDWARE LIST:				
No.	Description	Sketch	Size	Quantity
D	Flat Washer		Ø8 * 19*1.5 mm	12
E	Lock Washer		Ø8	8
F	Hexagon bolt		M8 * 65 mm	8
G	Allen Key bolt		M8*30 MML	4
H	Shape Allen Key			1
I	Straight Allen Key			1
J	Allen Wrench			1



MADE IN VIETNAM