



AMERICAN SIGNATURE, INC.

ASSEMBLY INSTRUCTIONS

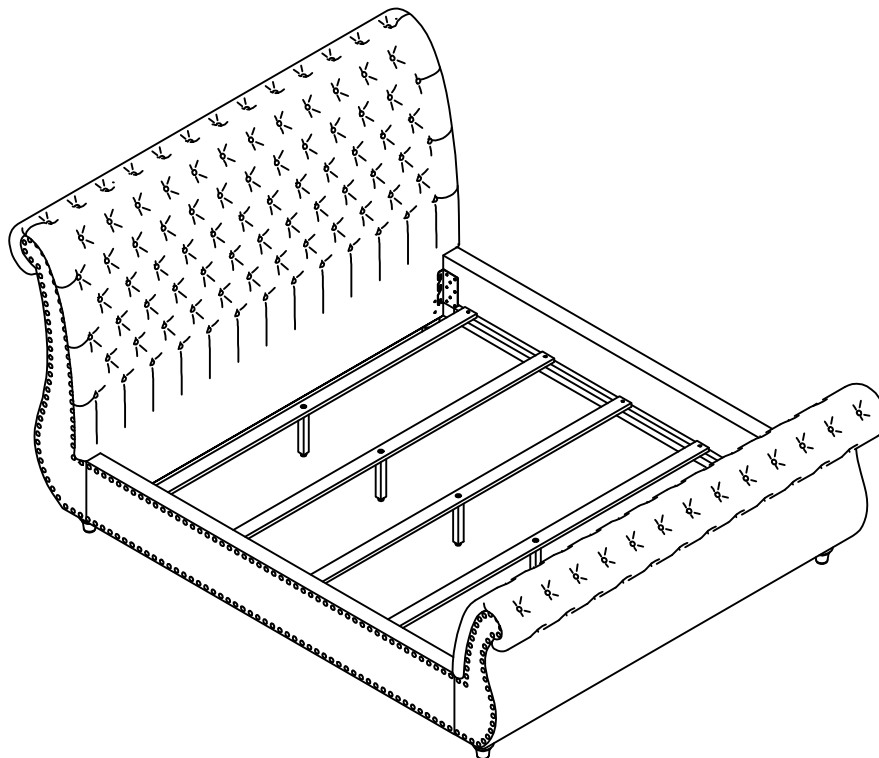
ITEM NO: 9405NQZ0AMACKXDUR - QUEEN UPH HB-ELLA CEMENT
 9405NQZ0AMAMDXDUR - QUEEN UPH HB-ELLA MIDNIGHT
 9405NQ6ZAMACKXDUR - QN UPH FB/SLATS-ELLA CEMENT
 9405NQ6ZAMAMDXDUR - QN UPH FB/SLATS-ELLA MIDNIGHT
 9405NBZAMACKXDUR - QN/KG UPH RAILS-ELLA CEMENT
 9405NBZAMAMDXDUR - QN/KG UPH RAILS-ELLA MIDNIGHT



Thank you for purchasing this quality product. Be sure to check all packing material carefully for small parts that may have come loose inside the carton during shipment

PART LISTS / HARDWARE LISTS

CARTON ONE				CARTON TWO				CARTON THREE			
NO.	DESCRIPTION	SKETCH	Q'TY	NO.	DESCRIPTION	SKETCH	Q'TY	NO.	DESCRIPTION	SKETCH	Q'TY
1	HEADBOARD PANEL		1 PC	3	FOOTBOARD		1 PC	6	SIDE RAIL		2 PCS
2	BUN FEET		4 PCS	4	SLAT (18*67*1540mm)		5 PCS				
				5	SUPPORT LEG (30*30*203mm)		5 PCS				
				A	BOLT Ø5/16 x 32mm		12 PCS				
				B	SPRING WASHER Ø5/16 x 13mm		12 PCS				
				C	FLAT WASHER Ø5/16 x 19mm		12 PCS				
				D	SCREW #4 x 30mm		10 PCS				
				E	ALLEN KEY 4mm		1 PC				
				F	STRAIGHT ALLEN KEY 4mm		1 PC				



PHILLIPS SCREWDRIVER
(NOT PROVIDED)





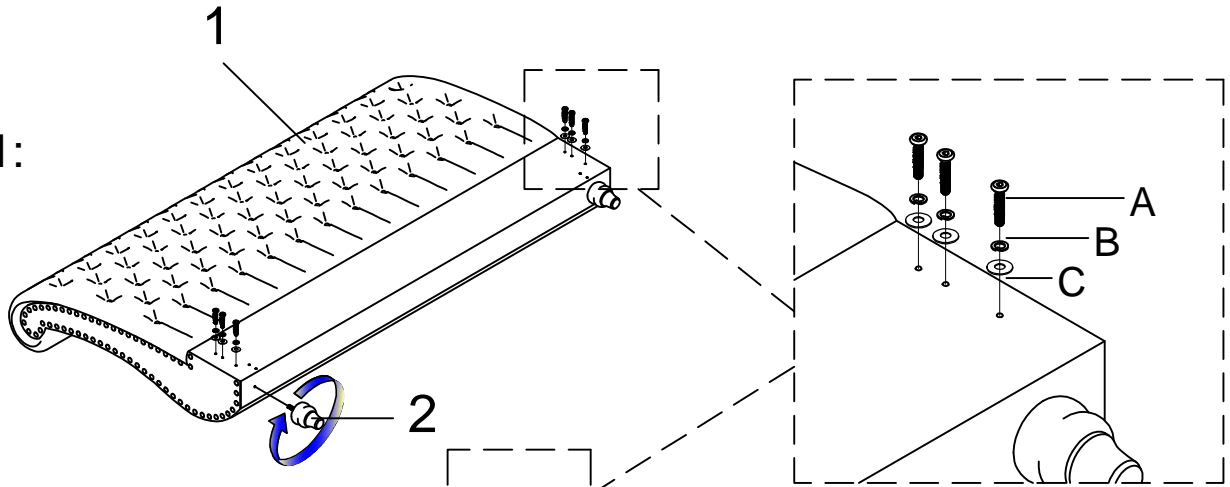
AMERICAN SIGNATURE, INC.

ASSEMBLY INSTRUCTIONS

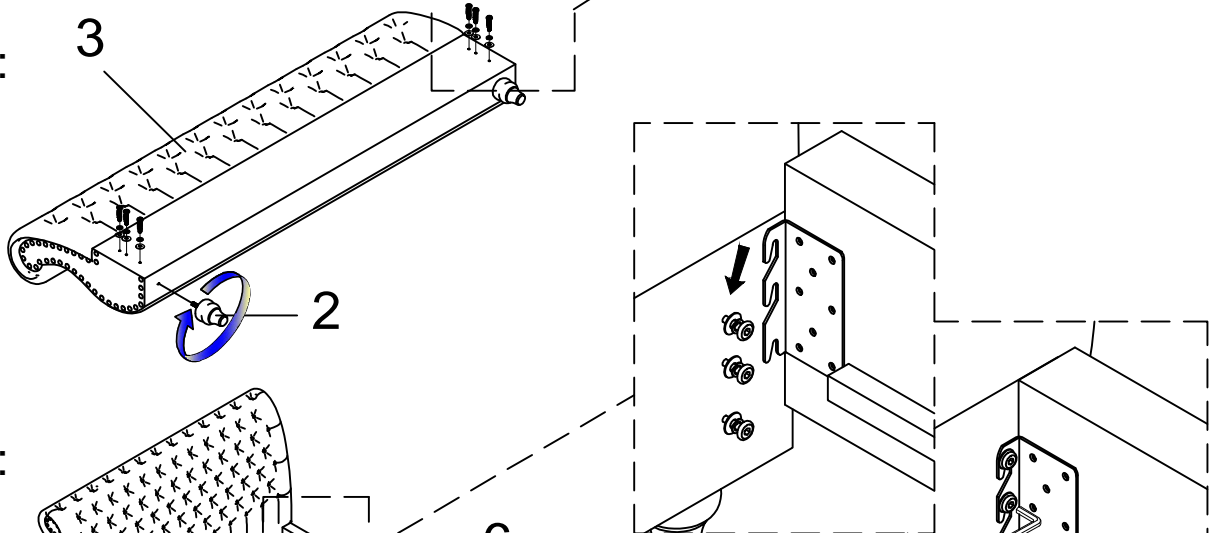
ITEM NO: 9405NQZ0AMACKXDUR - QUEEN UPH HB-ELLA CEMENT
 9405NQZ0AMAMDxDUR - QUEEN UPH HB-ELLA MIDNIGHT
 9405NQ6ZAMACKXDUR - QN UPH FB/SLATS-ELLA CEMENT
 9405NQ6ZAMAMDxDUR - QN UPH FB/SLATS-ELLA MIDNIGHT
 9405NBZAMACKXDUR - QN/KG UPH RAILS-ELLA CEMENT
 9405NBZAMAMDxDUR - QN/KG UPH RAILS-ELLA MIDNIGHT



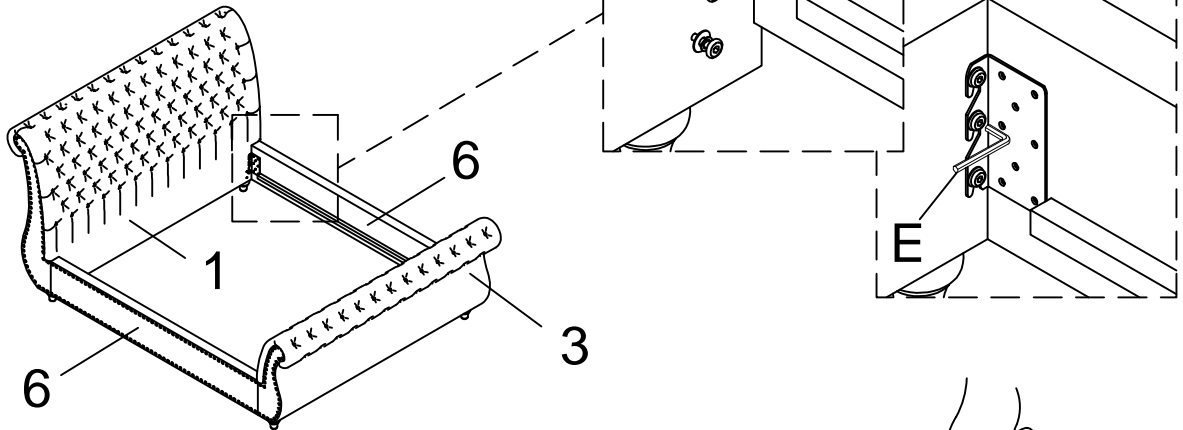
STEP 1:



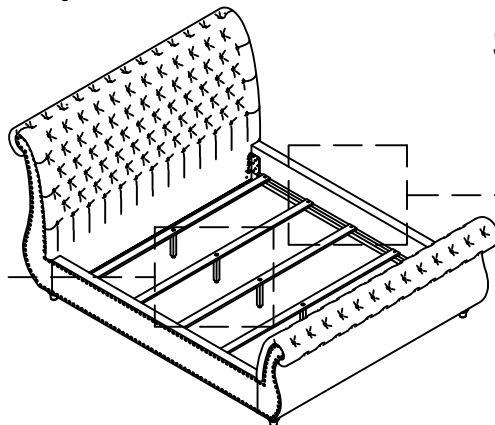
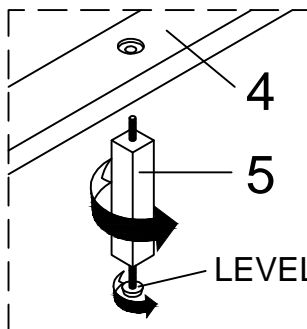
STEP 2:



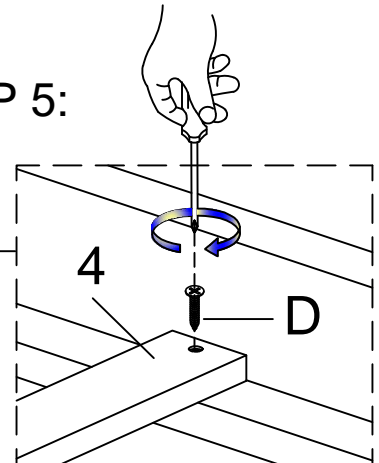
STEP 3:



STEP 4:



STEP 5:



ASSEMBLY IS COMPLETED