



AMERICAN SIGNATURE, INC.

# ASSEMBLY INSTRUCTIONS

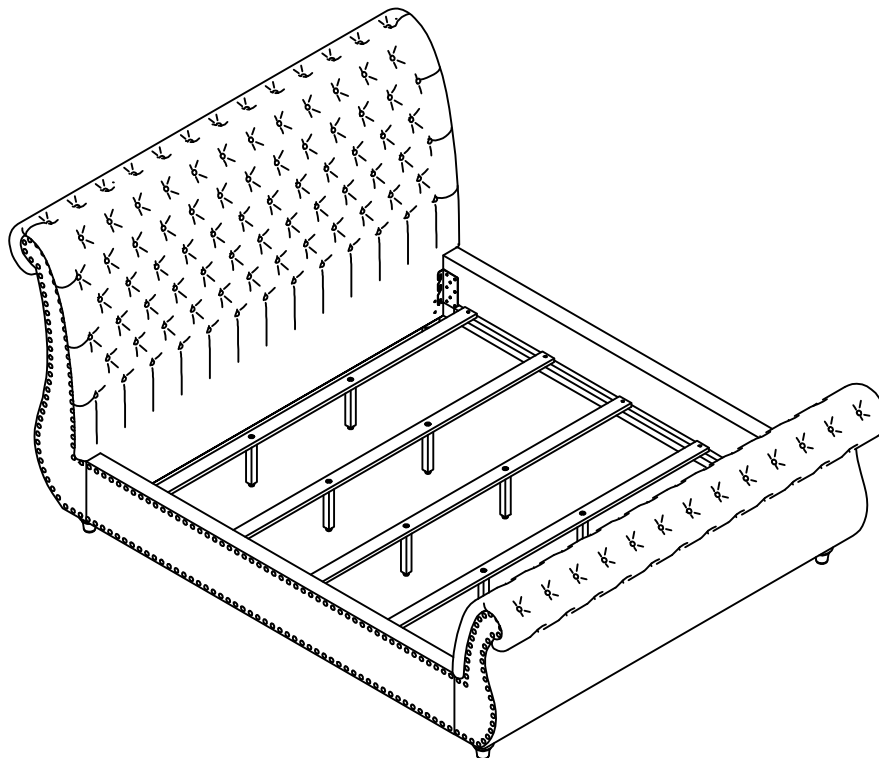
ITEM NO: 9405NKZ0AMACKXDUR - KING UPH HB-ELLA CEMENT  
 9405NKZ0AMAMDxDUR - KING UPH HB-ELLA MIDNIGHT  
 9405NK6ZAMACKXDUR - KG UPH FB/SLATS-ELLA CEMENT  
 9405NK6ZAMAMDxDUR - KG UPH FB/SLATS-ELLA MIDNIGHT  
 9405NBZAMACKXDUR - QN/KG UPH RAILS-ELLA CEMENT  
 9405NBZAMAMDxDUR - QN/KG UPH RAILS-ELLA MIDNIGHT



Thank you for purchasing this quality product. Be sure to check all packing material carefully for small parts that may have come loose inside the carton during shipment

## PART LISTS / HARDWARE LISTS

CARTON ONE				CARTON TWO				CARTON THREE			
NO.	DESCRIPTION	SKETCH	Q'TY	NO.	DESCRIPTION	SKETCH	Q'TY	NO.	DESCRIPTION	SKETCH	Q'TY
1	HEADBOARD PANEL		1 PC	3	FOOTBOARD		1 PC	6	SIDE RAIL		2 PCS
2	BUN FEET		4 PCS	4	SLAT (18*67*1940mm)		5 PCS				
				5	SUPPORT LEG (30*30*203mm)		10 PCS				
				A	BOLT Ø5/16 x 32mm		12 PCS				
				B	SPRING WASHER Ø5/16 x 13mm		12 PCS				
				C	FLAT WASHER Ø5/16 x 19mm		12 PCS				
				D	SCREW #4 x 30mm		10 PCS				
				E	ALLEN KEY 4mm		1 PC				
				F	STRAIGHT ALLEN KEY 4mm		1 PC				



PHILLIPS SCREWDRIVER  
(NOT PROVIDED)





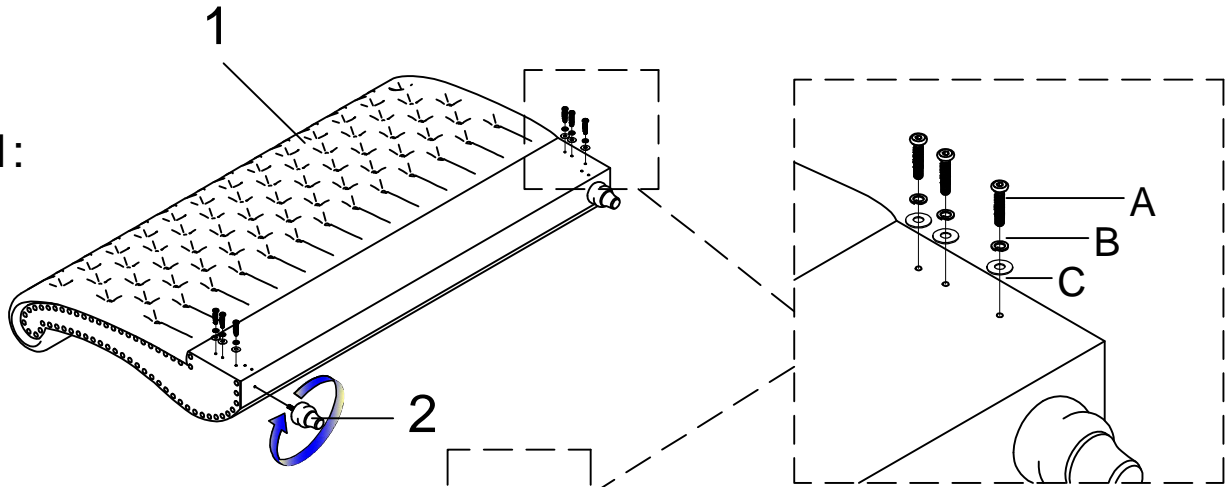
AMERICAN SIGNATURE, INC.

# ASSEMBLY INSTRUCTIONS

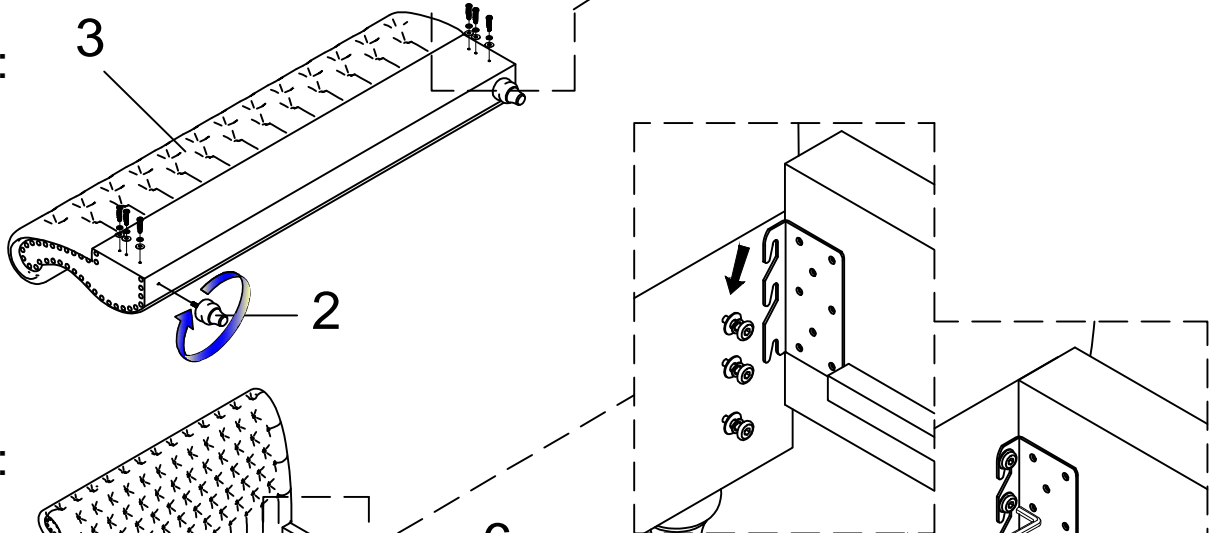
ITEM NO: 9405NKZ0AMACKXDUR - KING UPH HB-ELLA CEMENT  
 9405NKZ0AMAMDxDUR - KING UPH HB-ELLA MIDNIGHT  
 9405NK6ZAMACKXDUR - KG UPH FB/SLATS-ELLA CEMENT  
 9405NK6ZAMAMDxDUR - KG UPH FB/SLATS-ELLA MIDNIGHT  
 9405NBZnamackxDur - QN/KG UPH RAILS-ELLA CEMENT  
 9405NBZnamamdxDur - QN/KG UPH RAILS-ELLA MIDNIGHT



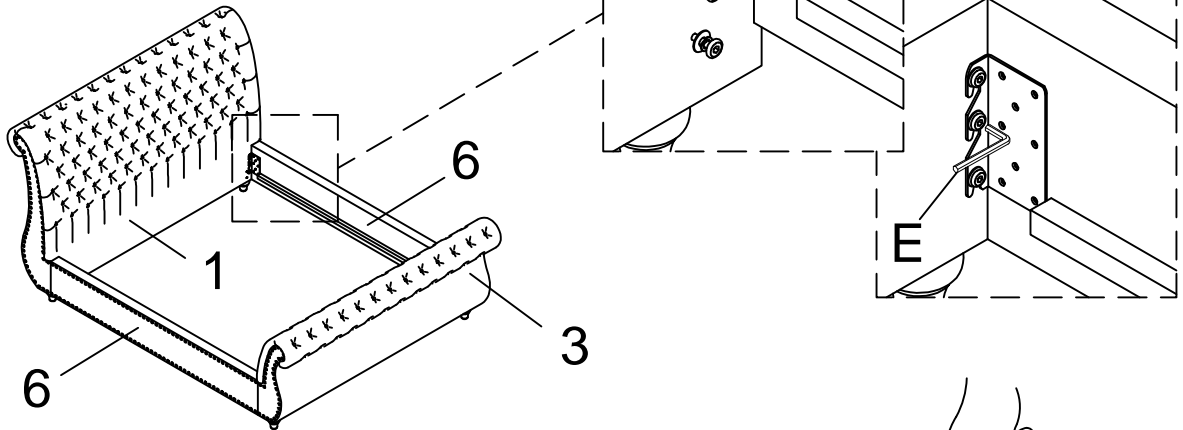
STEP 1:



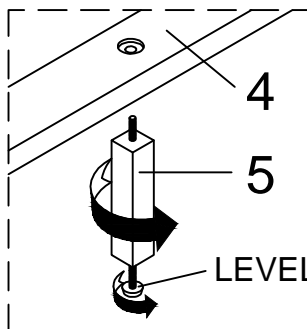
STEP 2:



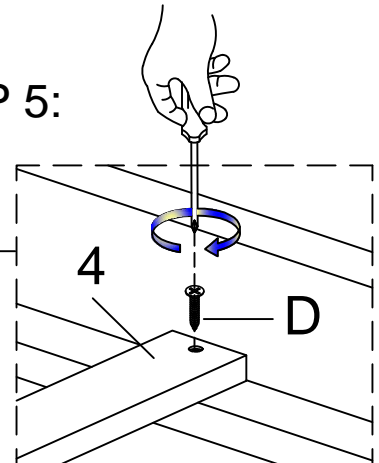
STEP 3:



STEP 4:



STEP 5:



ASSEMBLY IS COMPLETED