

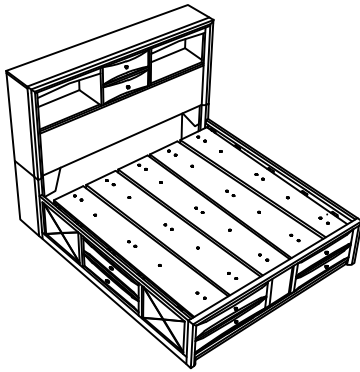
# ASSEMBLY INSTRUCTIONS

ITEM NO : EM770QHB/EM770QFB/EM770QR/EM770QDB

EM970QHB/EM970QFB/EM970QR/EM970QDB

DESCRIPTION:BRADEN QUEEN BOOKCASE STORAGE BED

Thank you for purchasing this quality product. Be sure to check all packing material carefully for small parts that may have come loose inside the carton during shipment.



## HARDWARE LIST - 1 (Enclose inside Headboard)

No	Description	Sketch	Size	Quantity
1	FLAT HEAD CHIPBOARD		M4 x 32mm RBW	8 PCS
2	PAN HEAD CHIPBOARD		M3.5 x 20mm	8 PCS
3	JCBC BOLT		M6 x 35MM BLK	4 PCS
4	JCBC BOLT		M6 x 50MM BLK	2 PCS
5	SPRING WASHER		1/4" Rbw	6 PCS
6	FLAT WASHER		1/4"ID x 13mmODBlk	6 PCS
7	ALLEN KEY		M4x110mm Blk	1 PC

## HARDWARE LIST - 2 (Enclose inside Side rail)

No	Description	Sketch	Size	Quantity
8	FLAT HEAD CHIPBOARD		M4 x 32mm RBW	16 PCS
9	PAN HEAD CHIPBOARD		M3.5 x 20mm	27 PCS
10	JCBC BOLT		M6 x 35MM	15 PCS
11	JCBC BOLT		M6 x 50MM	6 PCS
12	SPRING WASHER		1/4" Rbw	15 PC
13	FLAT WASHER		1/4"ID x 13mmODBlk	15 PCS
14	Z-BRACKET		-	1 PC
15	ALLEN KEY		M4x110mm Blk	1 PC

## HARDWARE LIST - 3 (Enclose inside storage drawer)

No	Description	Sketch	Size	Quantity
16	HANDLE		M4 x 32mm RBW	8 PCS
17	T/HEAD M. SCREW HANDLE		M4 x 48MM	4 PCS
18	T/HEAD M. SCREW HANDLE		M4 x 50MM	4 PCS

## TOOLS REQUIRED (NOT PROVIDED)

Philips screwdriver

Rubber Mallet

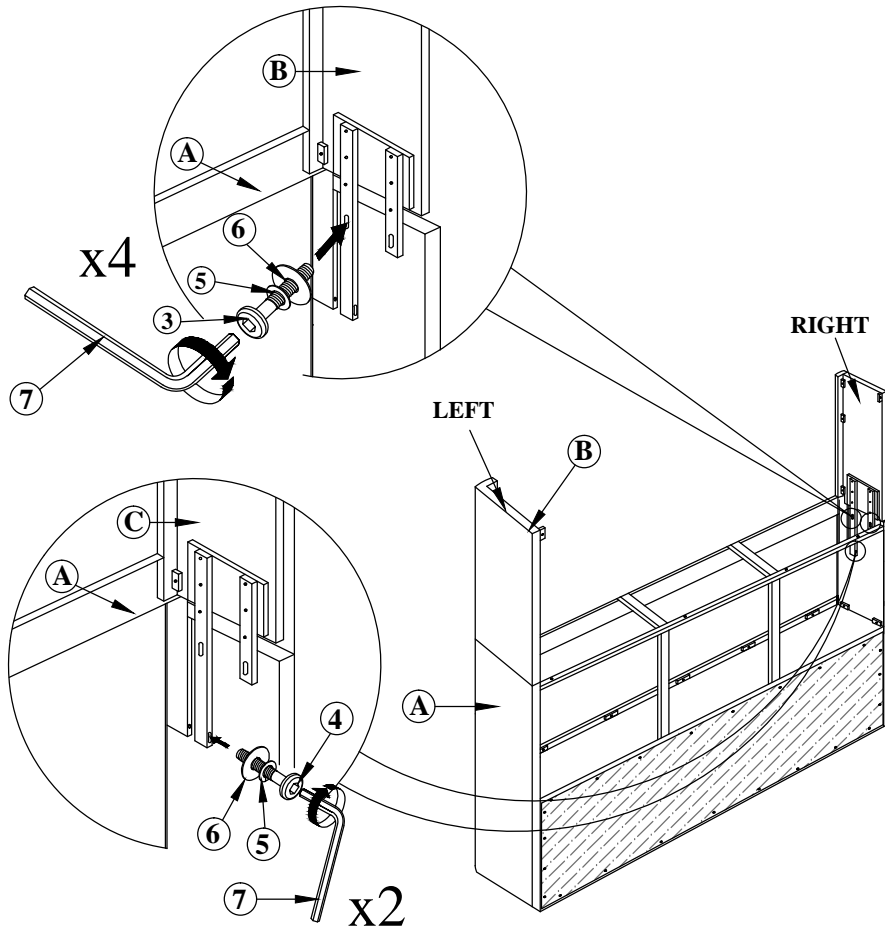
## PART LIST

NO	DESCRIPTION	SKETCH	QTY
A	Headboard		1 PC
B	Headboard Leg (L/R)		2 PCS
C	Triangle Support Panel -9 x 200 x 200		2 PCS
D	H/board Back Support - 20 x 30 x 1560mm		1 PC
E	H/board Back Support - 20 x 30 x 1560mm		1 PC
F	Footboard		1 PC
G	Drawer Suppt. Rail - 2		4 PCS
H	Side Rail		2 PCS
I	Bed Slat		2 PCS
J	F/Board Drawer Frame		1 PC
K	Concealed Panel		5 PCS
L	Drawer Suppt. Rail - 1		1 PC
M	Support Leg 1 - 30 x 30 x 518mm		5 PCS
N	Support Leg 2 - 30 x 30 x 95mm		1 PC
O	Support Leg 3 - 30 x 30 x 107mm		1 PC
P	Bed Slat with marking		2 PCS
Q	Drawer - 1		4 PCS
R	Drawer - 2		2 PCS

MADE IN MALAYSIA

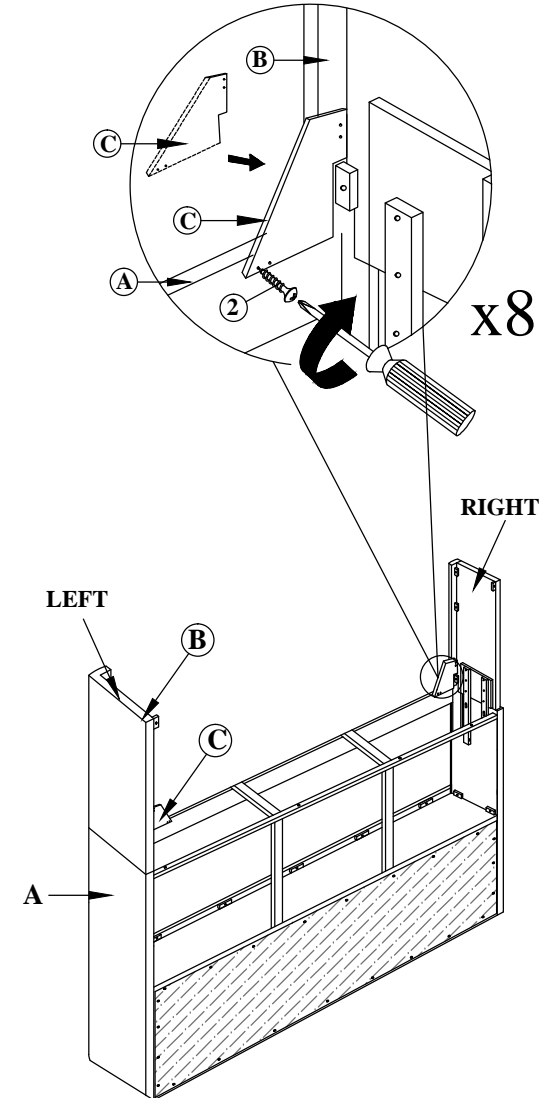
# ASSEMBLY INSTRUCTIONS

**STEP 1 :** Attached and tighten the Headboard Leg L/R ( B ) to the Headboard ( A ).Insert Spring Washer ( 5 ) Flat Washer ( 6 ),use JCBC Bolt ( 3 ) to fix with Allen Key ( 7 ).



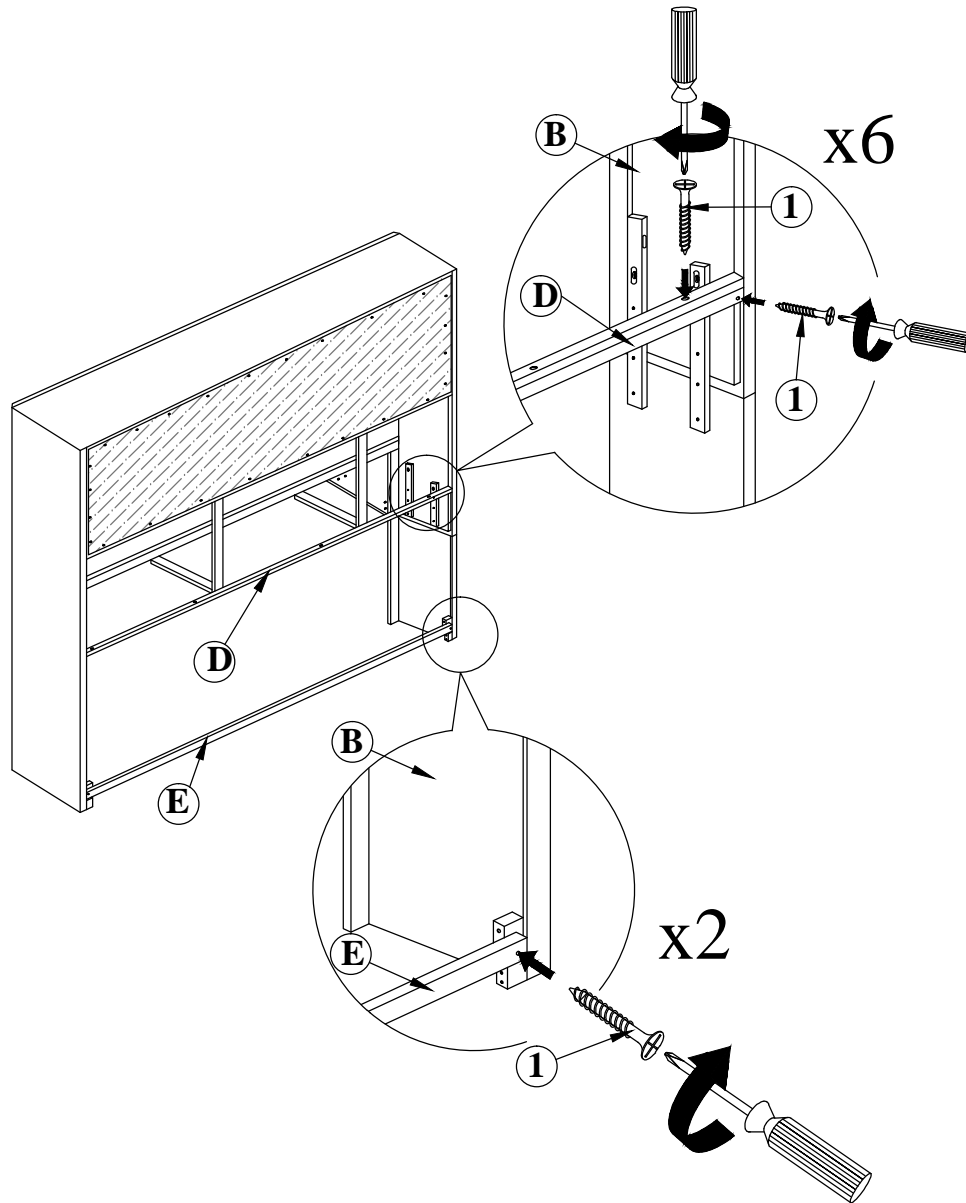
**STEP 2 :** Attached and tighten the Headboard Leg L/R ( B ) to the Headboard ( A ).Insert Spring Washer ( 5 ) Flat Washer ( 6 ),use JCBC Bolt ( 4 ) to fix with Allen Key ( 7 ).

**STEP 3 :** Attached and tighten the Triangle Support Panel ( C ) to the Headboard and fix the Panhead Screw ( 2 ) using Screw Driver.( Not Included )

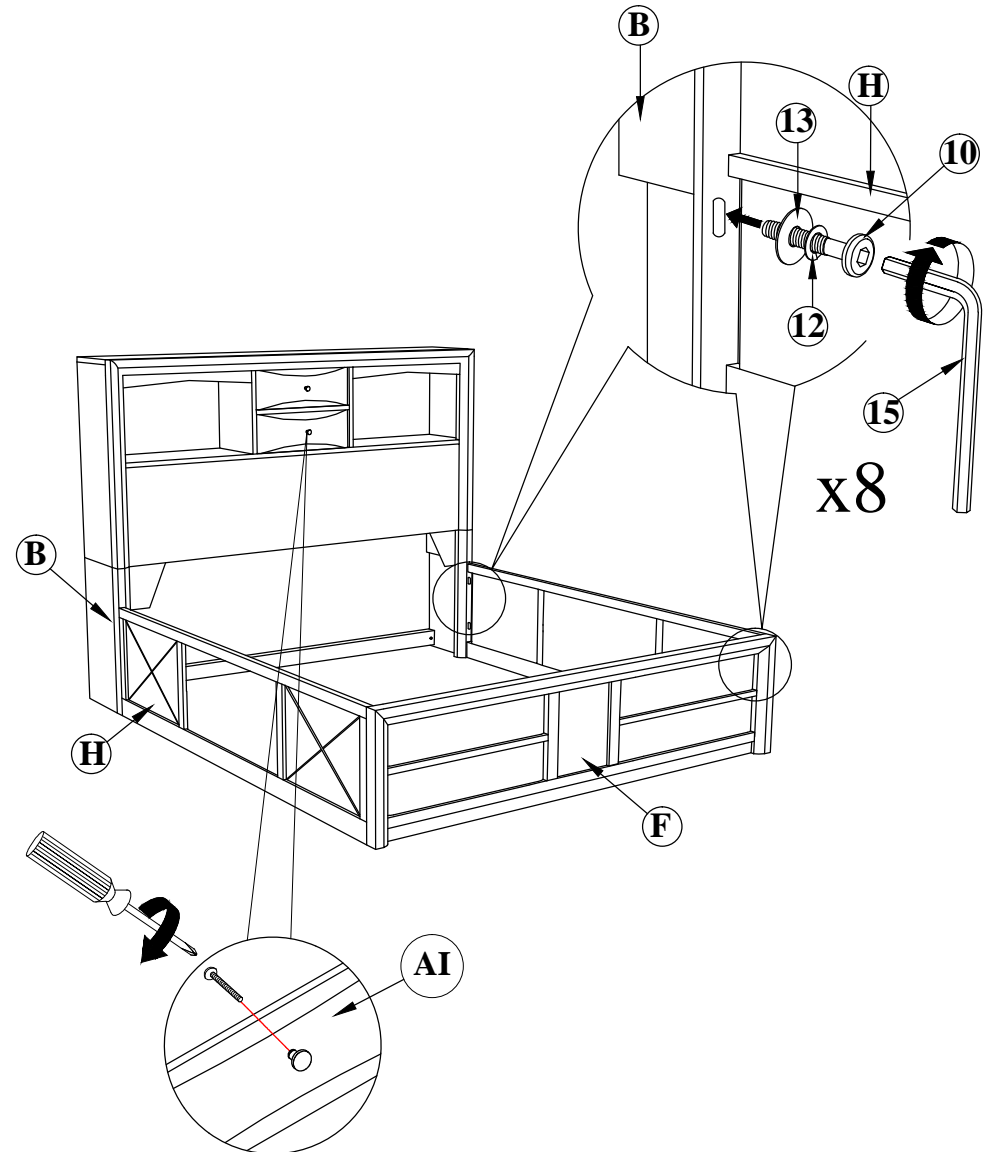


# ASSEMBLY INSTRUCTIONS

**STEP 4 :** Attach Headboard Back Support ( D ) and ( E ) follow the picture. Fix the CSK Screw ( 1 ) using a Screw Driver. ( Not Included )



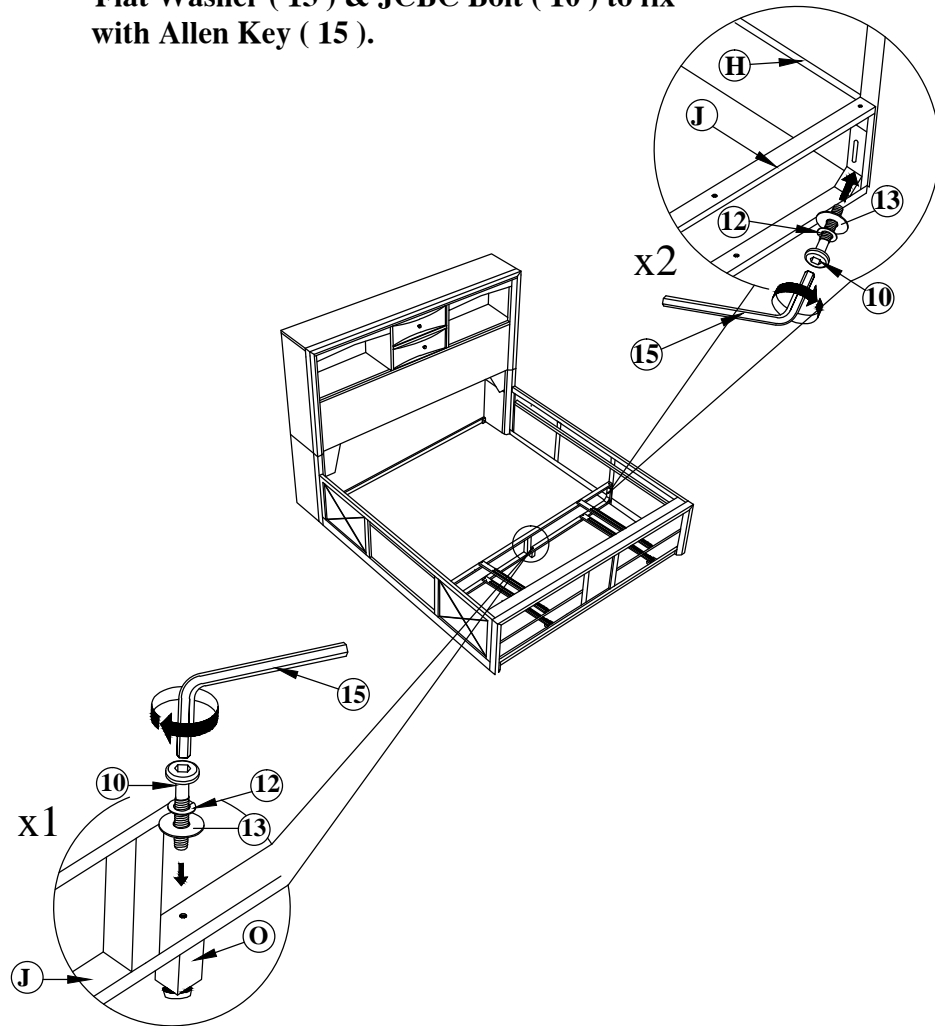
**STEP 5 :** Attach the Side Rail ( H ) to the Headboard Leg ( B ) and Footboard ( F ). Insert Spring Washer ( 12 ), Flat Washer ( 13 ), use JCBC Bolt ( 10 ) to fix with Allen Key ( 15 ).



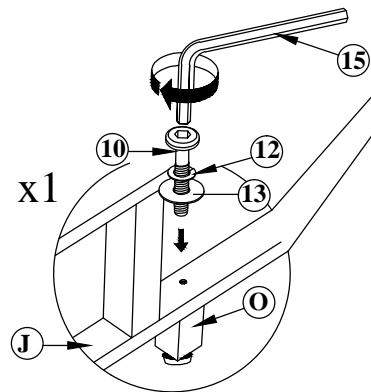
**Fix handle from inside to outside drawer**

# ASSEMBLY INSTRUCTIONS

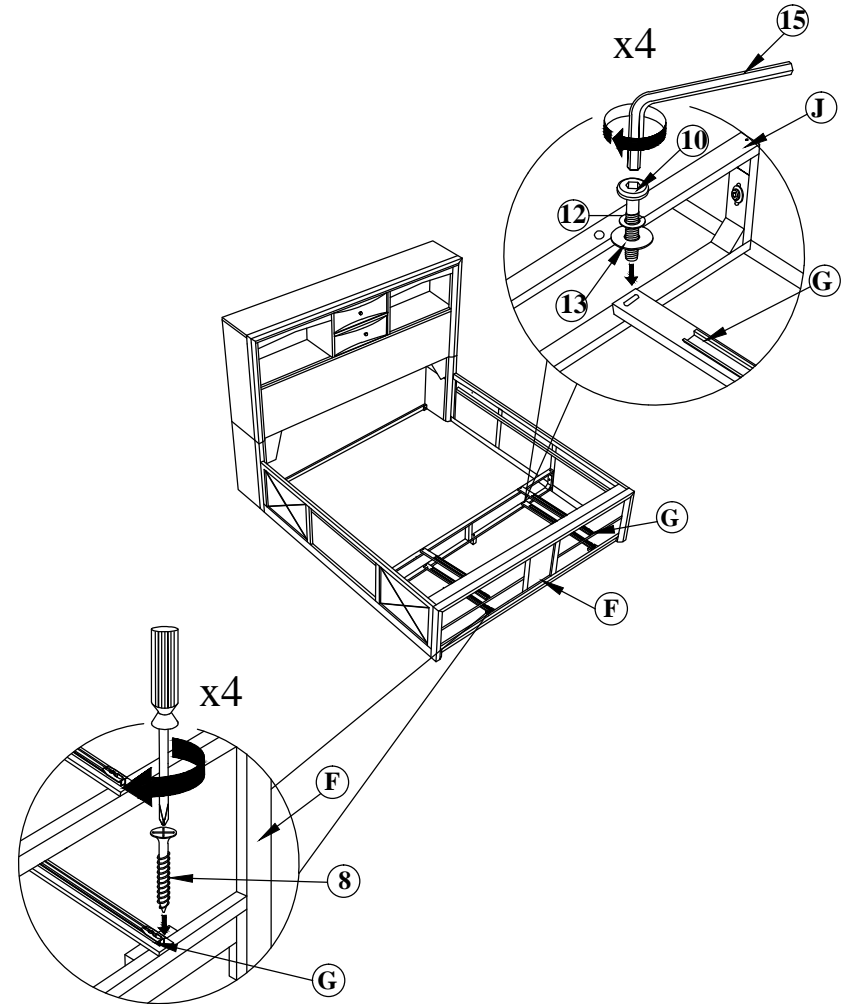
**STEP 6 :** Attach the Footboard Drawer Frame ( J ) to the Side Rail ( H ). Insert Spring Washer ( 12 ), Flat Washer ( 13 ) & JCBC Bolt ( 10 ) to fix with Allen Key ( 15 ).



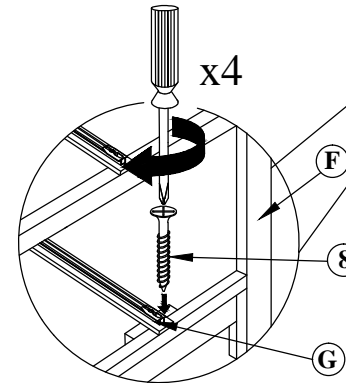
**STEP 7 :** Attach Support Leg 3 ( O ) to the Footboard Drawer Frame ( J ). Insert Spring Washer ( 12 ), Flat Washer ( 13 ) & JCBC Bolt ( 10 ) to fix with Allen Key ( 15 ).



**STEP 8 :** Attach the Drawer Support Rail-2 ( G ) to the Footboard Drawer Frame ( J ). Insert Spring Washer ( 12 ), Flat Washer ( 13 ) & JCBC Bolt ( 10 ) to fix with Allen Key ( 15 ).

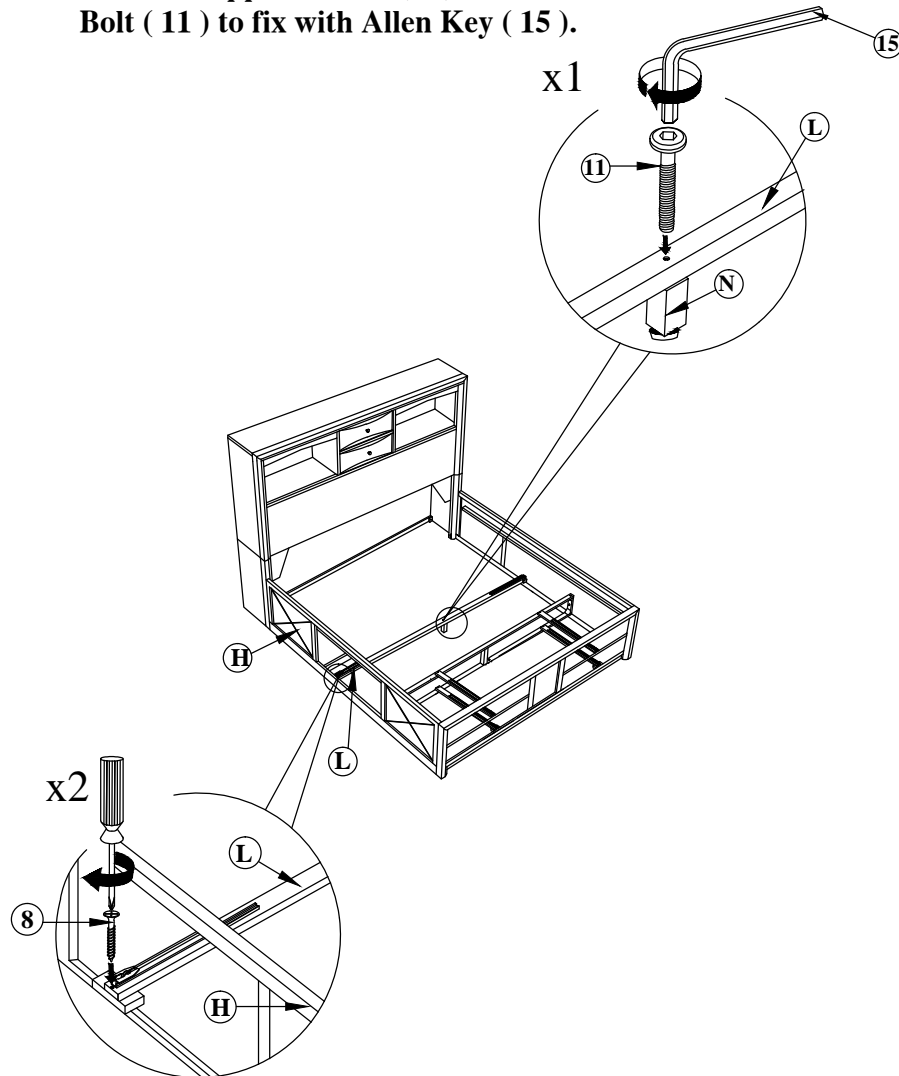


**STEP 9 :** Attach the Drawer Support Rail ( G ) to the Footboard ( F ) using CSK Screw ( 8 ) and tighten with Screw Driver. ( Not Included )



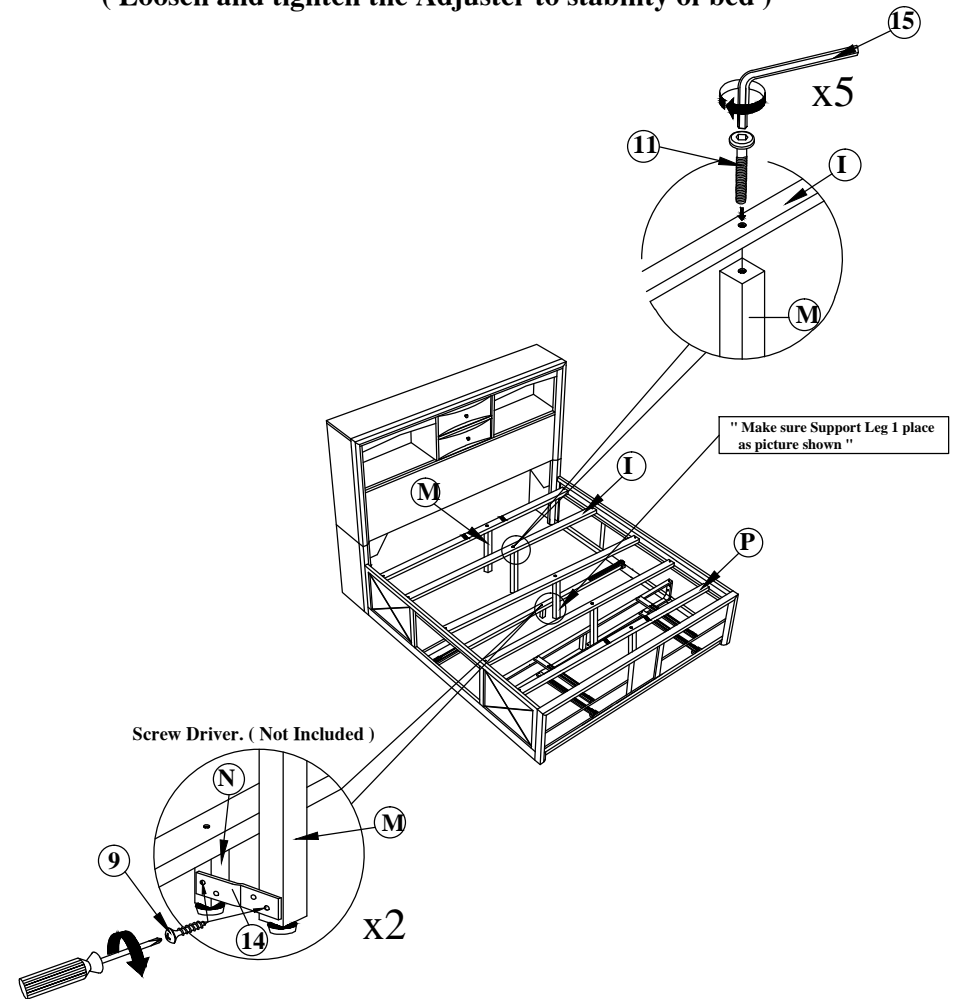
# ASSEMBLY INSTRUCTIONS

**STEP 10 : Attach Support Leg 2 ( N ) to the Drawer Support Rail-1 ( L ). Use JCBC Bolt ( 11 ) to fix with Allen Key ( 15 ).**



**STEP 11 : Attach Drawer Support Rail-1 ( L ) to the Side Rail ( H ) using Csk Screw ( 8 ) and tighten with Screw Driver.( Not Included )**

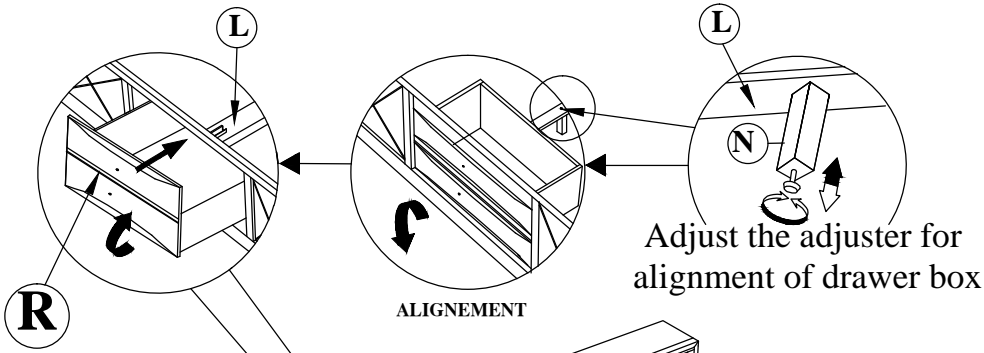
**Step 12 : Attach Bed Slat ( I ) & ( P ) to the Bed Slat Support ( M ). Use JCBC Bolt ( 11 ) to fix with Allen Key ( 15 ). ( Loosen and tighten the Adjuster to stability of bed )**



**STEP 13 : Attach Z-Bracket ( 14 ) to the Bed Slat Support ( M ) and Support Leg 2 ( N ). Use Panhead Screw ( 9 ) and tighten with screw driver ( not included)**

# ASSEMBLY INSTRUCTIONS

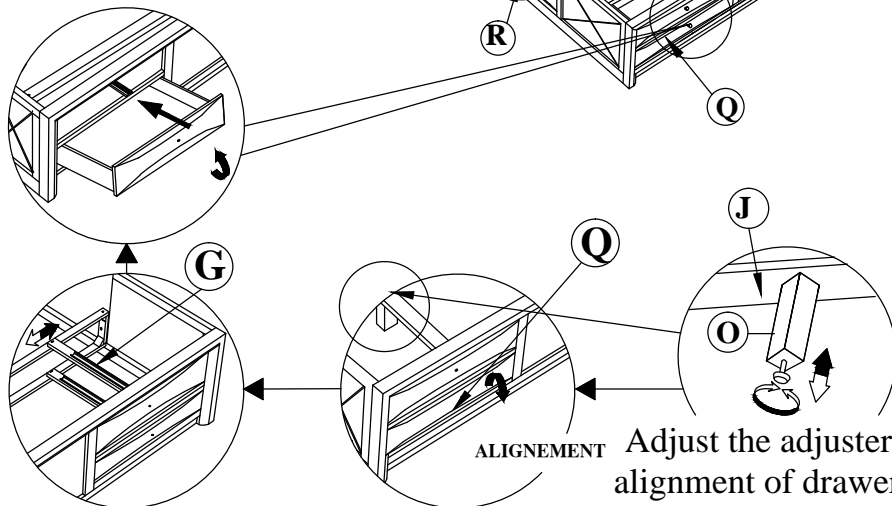
**STEP 14 : Attach Drawer-2 ( R ) on Drawer Support Rail -1 ( L ).**



Adjust the adjuster for alignment of drawer box

ALIGNEMENT

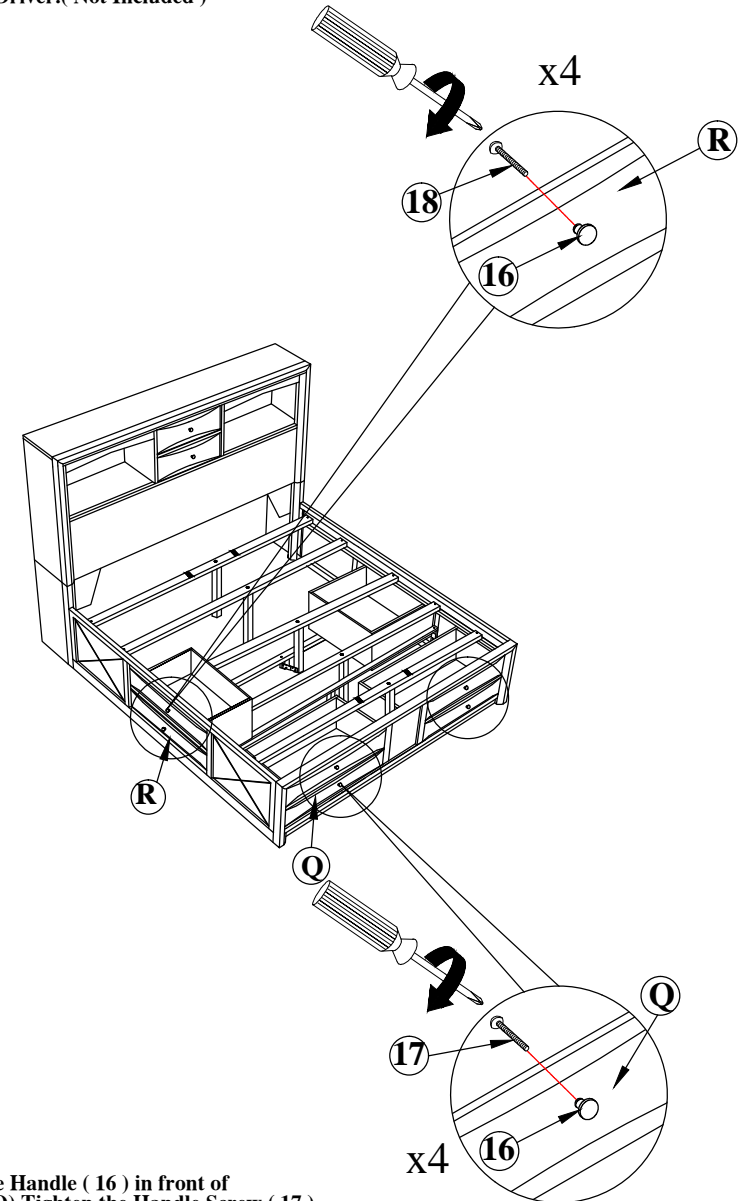
**STEP 15 : Attach Drawer-1 ( Q ) on Drawer Support Rail -2 ( G ).**



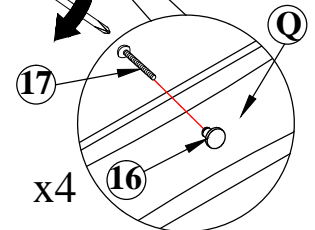
Adjust the adjuster for alignment of drawer box

ALIGNEMENT

**STEP 16 : Install the Handle ( 16 ) in front of drawer (R). Tighten the Handle Screw ( 18 ) using Screw Driver.( Not Included )**



**STEP 17 : Install the Handle ( 16 ) in front of drawer (Q). Tighten the Handle Screw ( 17 ) using Screw Driver.( Not Included )**

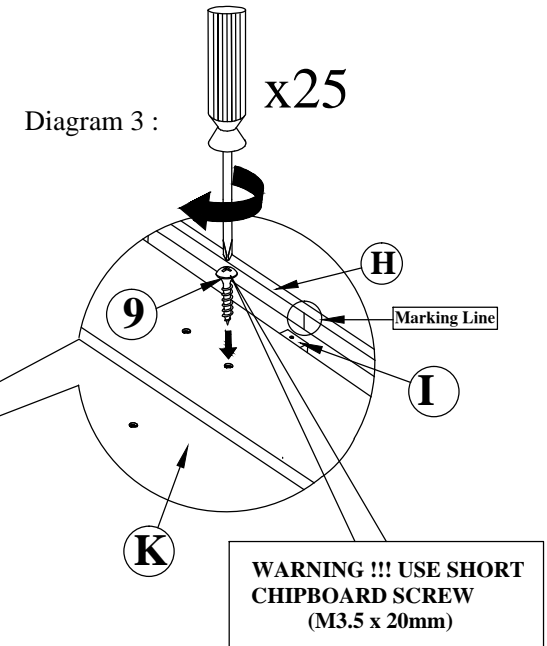
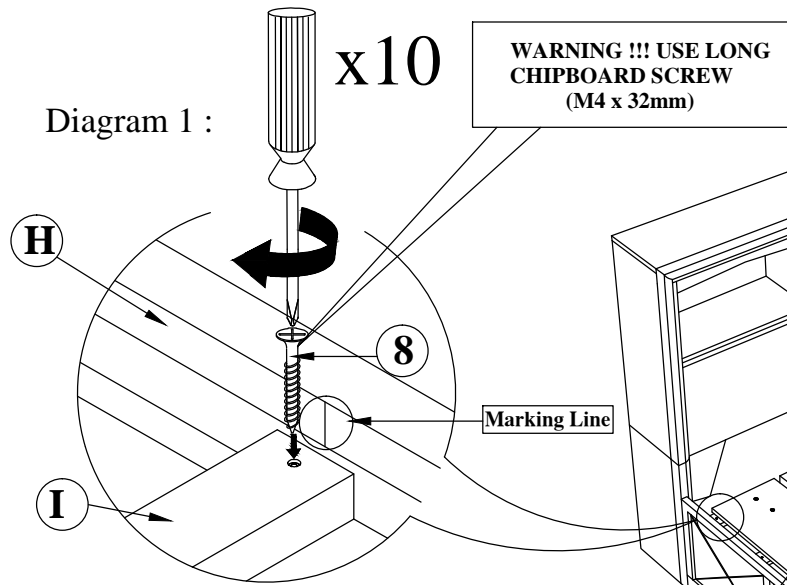


NOTE : MUST TIGHTEN SCREWS PERIODCALLY WITH USE SCREW WILL BECOME LOOSE CHECK TIGHTNESS OF ALL SCREW EVERY 6-8 WEEKS.

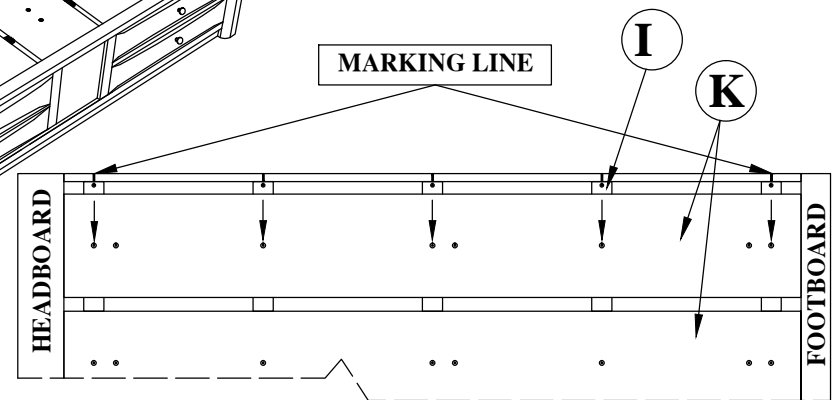
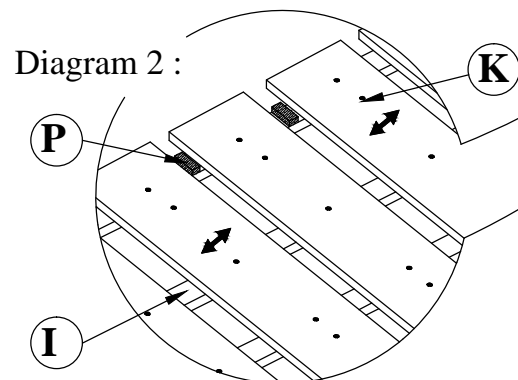
# ASSEMBLY INSTRUCTIONS

**STEP 18 : Push the Side Rail ( H ) with Bed Slat ( I ) and tighten with CSK Screw ( 8 ) by using Screw Driver.( Not Included ) ( Make sure follow the center Marking Line as shown )**

**STEP 20 : Attach Concealed Panel Slat ( K ) at the Upper Bed Slat ( I ) using Panhead Screw ( 9 ) and tighten with Screw Driver. ( Not Included )**



**STEP 19 : Realign the Concealed Panel Slat ( K ) to the diagram as shown.**



**TIGHTEN THE PANHEAD SCREW (9) BY FOLLOW THE ARROW AS SHOWN**

NOTE : MUST TIGHTEN SCREWS PERIODCALLY WITH USE SCREW WILL BECOME LOOSE CHECK TIGHTNESS OF ALL SCREW EVERY 6-8 WEEKS.

PAGE 7 OF 7