

ASSEMBLY INSTRUCTIONS

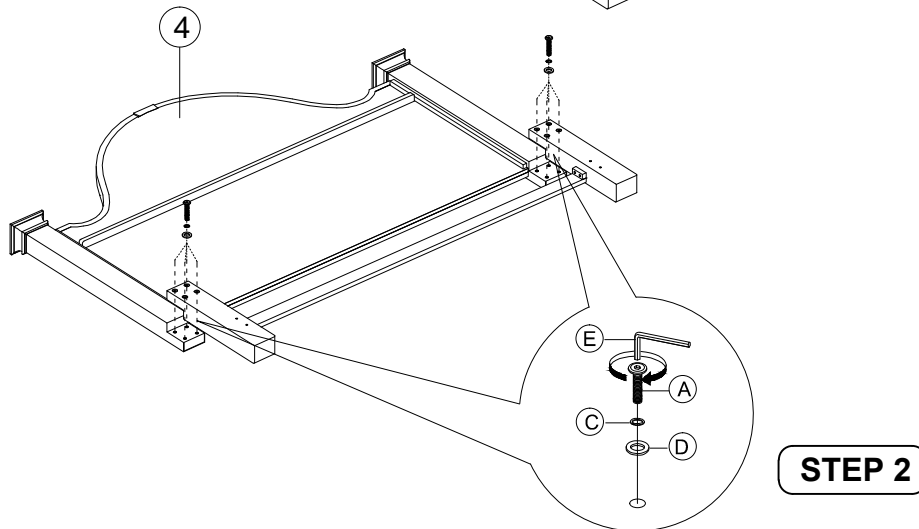
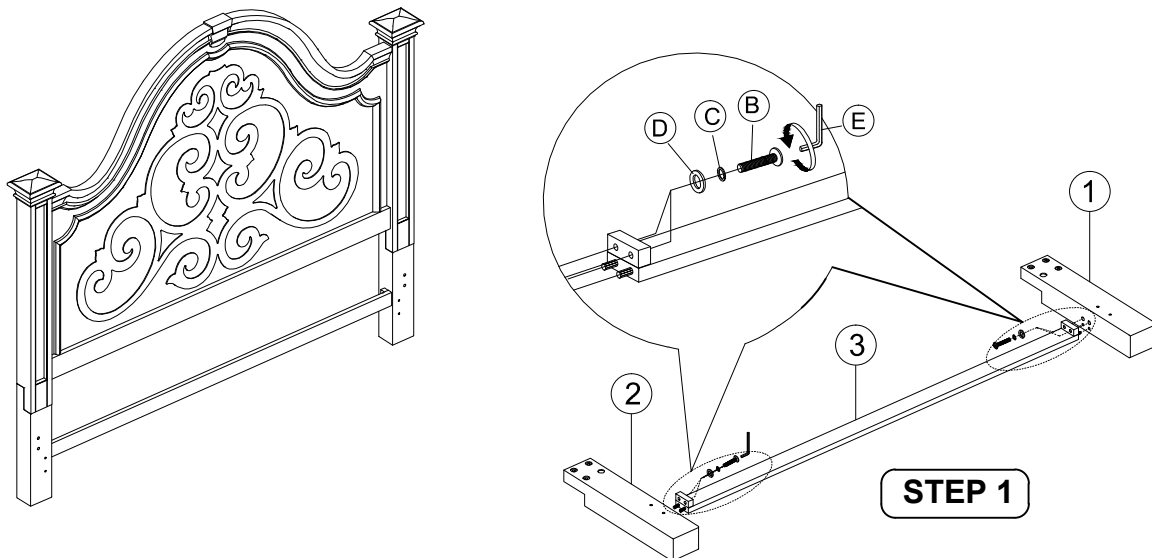
ITEM NO: **A634-BR03**

DESCRIPTION: **QUEEN POSTER HEADBOARD (KD)
CHATELET ANTIQUE TAUPE**

Thank you for purchasing this quality product. Be sure to check all packing material carefully for small parts that may have come loose inside the carton during shipment.

PARTS LIST FOOTBOARD			
No.	Description	Sketch	Quantity
1	Left Leg (Pack with HB)		1 Pc
2	Right Leg (Pack with HB)		1 Pc
3	Bottom Rail (Pack with HB)		1 Pc
4	Headboard Panel (Pack with HB)		1 Pc

5				
HARDWARE LIST:				
No.	Description	Sketch	Size	Quantity
A	Bolt		Ø1/4 x 2-3/8"	8 Pcs
B	Bolt		Ø1/4 x 1-1/2"	4 Pcs
C	Spring Washer		Ø1/4	12 Pcs
D	Flat Washer		Ø1/4 19mm	12 Pcs
E	Allen Wrench		M4	1 Pc
F	Straight Allen Key		M4 x 100mm	1 Pc


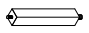
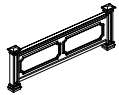


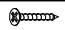



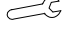
ASSEMBLY INSTRUCTIONS

ITEM NO: **A634-BR03/BR04/BR90**

**DESCRIPTION: QUEEN POSTER HEADBOARD
QUEEN POSTER FOOTBOARD
POSTER BED RAILS
CHATELET ANTIQUE TAUPE**

Thank you for purchasing this quality product. Be sure to check all packing material carefully for small parts that may have come loose inside the carton during shipment.

PARTS LIST:			
No.	Description	Sketch	Quantity
6	Queen Slats (Pack with FB)		4 Pcs
7	Slat Support (Pack with FB)		4 Pcs
8	Footboard Panel (Pack With FB)		1 Pc

9				
HARDWARE LIST OF FOOTBOARD				
No.	Description	Sketch	Size	Quantity
A	Screw		M4 x 32 mm	8 Pcs
10				
HARDWARE LIST OF RAILS				
B	Bolt		Ø5/16 x 1"	8 Pcs
C	Spring Washer		Ø5/16 "	8 Pcs
D	Flat Washer		Ø5/16 " x19mm	8 Pcs
E	Wrench		12 mm	1 Pc
TOOLS REQUIRED (NOT PROVIDED)				
PHILLIPS SCREWDRIVER		