

**HEADBOARD CARTON    SIDE RAIL CARTON**

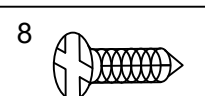
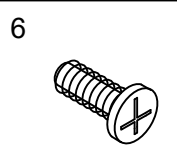
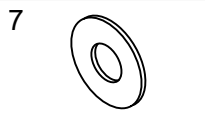
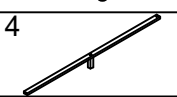
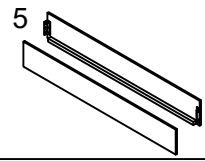
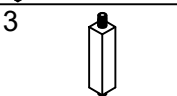
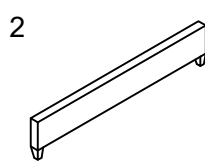
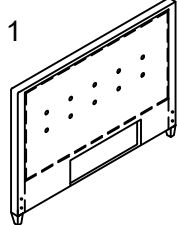
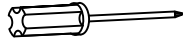
- (1) HEADBOARD PANEL -1
- (2) FOOTBOARD PANEL -1
- (3) WOODSLATS -4 (QUEEN/ KING)
- (4) SUPPORT LEGS -4
- (5) SIDE RAILS -2

**PART #    HARDWARE BAG**

- (6)  $\frac{1}{8}$ " X  $1\frac{1}{2}$ " LONG PHILIPS HEAD SCREW -8
- (7)  $\frac{1}{8}$ " X  $1\frac{1}{2}$ " METAL WASHER -8
- (8)  $1\frac{1}{2}$ " X  $\frac{1}{8}$ " LONG PHILIPS HEAD WOOD SCREW -8

**REQUIRED TOOLS**

PHILIPS SCREWER DRIVER

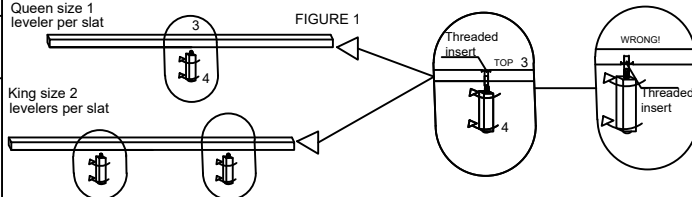


**INSTRUCTION SHEET**

SAVE ALL THE PACKAGING MATERIALS UNTIL PRODUCT IS FULLY ASSEMBLED, HARDWARE AND SMALL PIECES MAY NOT BE SEEN AND COULD BE ACCIDENTALLY DISCARDED WITH PACKAGING MATERIALS

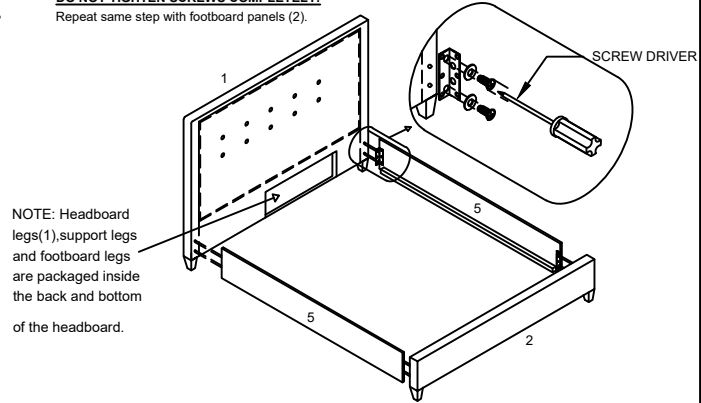
**STEP 1.- ASSEMBLY SUPPORT LEG**

- Align support leg (4) threaded rod with threaded insert on wood slat(3). SEE FIGURE 1.
- Secure support leg (4) into wood slat (3). Make sure threaded insert is on top side of wood slat (3), and all support legs (4) are fully tightened.



**STEP 2.- ASSEMBLY OF SIDE RAILS**

- Align holes on side rail (5) metal bracket with threaded inserts of headboard panels (1). SEE FIGURE 2
- Secure side rails (5) with screw (6) and flat metal washer (7), use philips screwdriver.
- **DO NOT TIGHTEN SCREWS COMPLETELY.**
- Repeat same step with footboard panels (2).



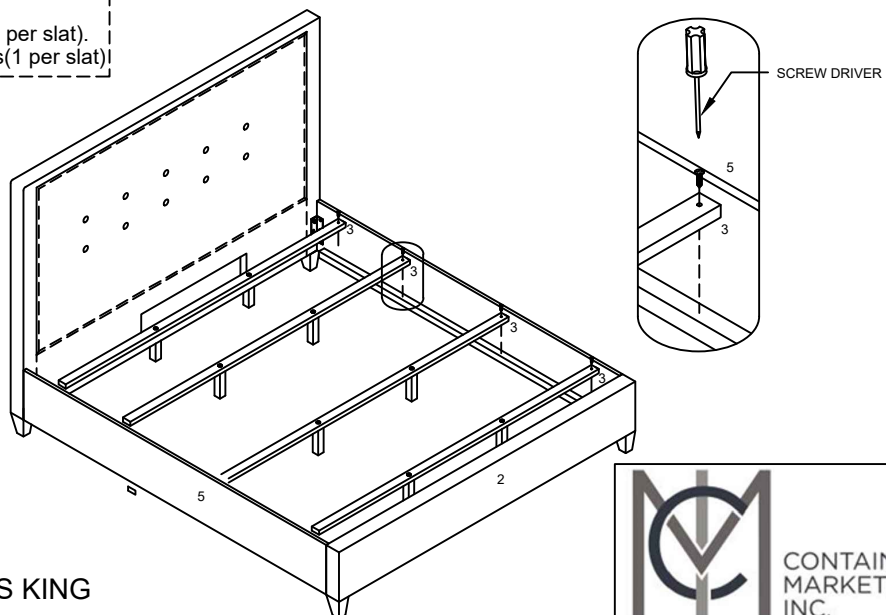
NOTE: Headboard legs(1), support legs and footboard legs are packaged inside the back and bottom of the headboard.

**STEP 3.- ASSEMBLY OF WOOD SLATS**

- Carefully place wood slats (3) between side rails (5). SEE FIGURE 3
- NOTE: PLACE WOOD SLATS AT EQUAL SPACE.
- Secure wood slats (3) in to cleat with philips head wood screw (8) using screwdriver, now thigten completely all screws (6) on headboard and footboard panel. SEE FIGURE 2. NOTE: REPOSITION ADJUSTABLE GLIDE ON SUPPORT LEGS AS NEEDED.

**NOTE:**  
King size- 8 levelers(2 per slat).  
Queen size- 4 levelers(1 per slat)

**FIGURE 3**



PICTURE SHOWS KING SIZE VERSION

