



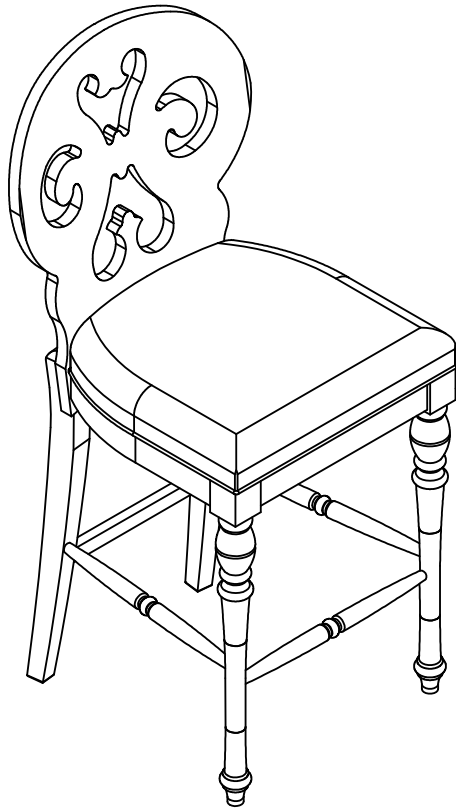
AMERICAN SIGNATURE, INC.

ASSEMBLY INSTRUCTIONS

ITEM NO: DVC100 SGC-3PACK/DVC100 SGC CHARLESTON WHITE
DVC200 SGC-3PACK/DVC200 SGC CHARLESTON GRAY
DVC300 SGC-3PACK/DVC300 SGC CHARLESTON TOBCC
SCROLL BACK CNTR STOOL



Thank you for purchasing this quality product. Be sure to check all packing material carefully for small parts that may have come loose inside the carton during shipment.

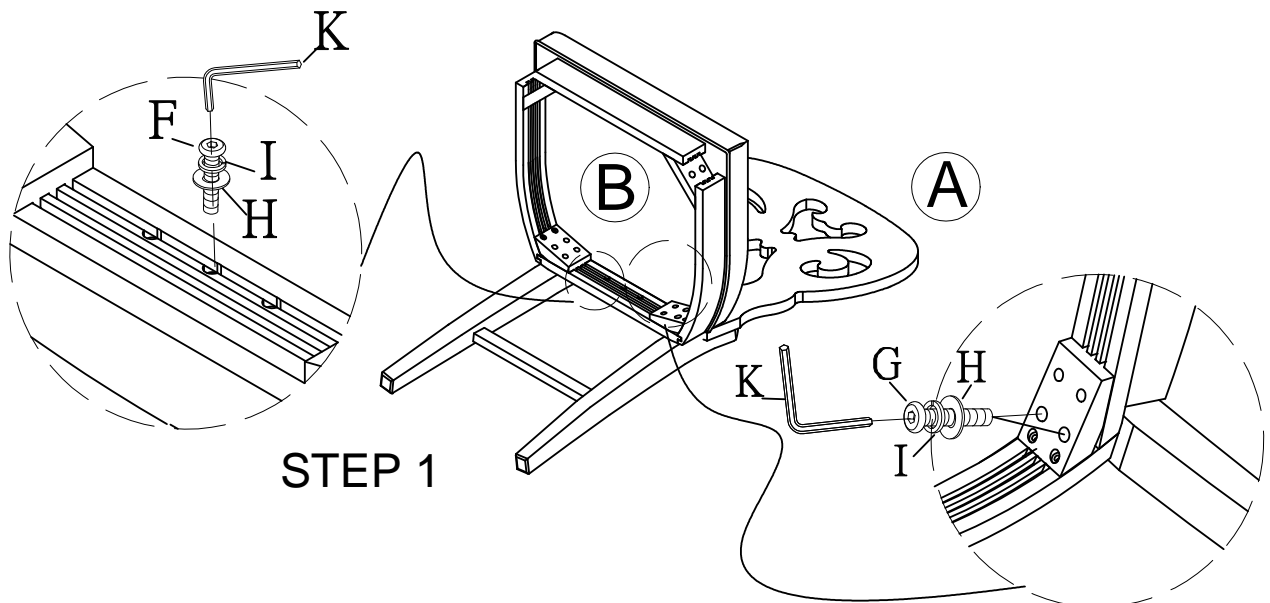


PARTS LIST:

No.	Description	Sketch	Quantity
A	Chair Back		1 pc
B	Seat		1 pc
C	Front Leg		2 pcs
D	LSF/RSF Stretcher		2 pcs
E	Front Stretcher		1 pc

HARDWARE LIST:

No.	Description	Sketch	Size	Quantity
F	Bolt		Ø5/16" L 44mm	7 pcs
G	Bolt		Ø5/16" L 76mm	4 pcs
H	Flat washer		Ø5/16" X 19mm X 2mm	11 pcs
I	Spring washer		Ø5/16" X 12mm X 2mm	11 pcs
J	Wood Crew		8X38mm	6 pcs
K	Allen wrench		4mm	1 pc
L	Allen wrench		4mm	1 pc



STEP 1

MADE IN VIETNAM

EXCLUSIVE AMERICAN SIGNATURE DESIGN-DO NOT REPRODUCE WITHOUT WRITTEN PERMISSION



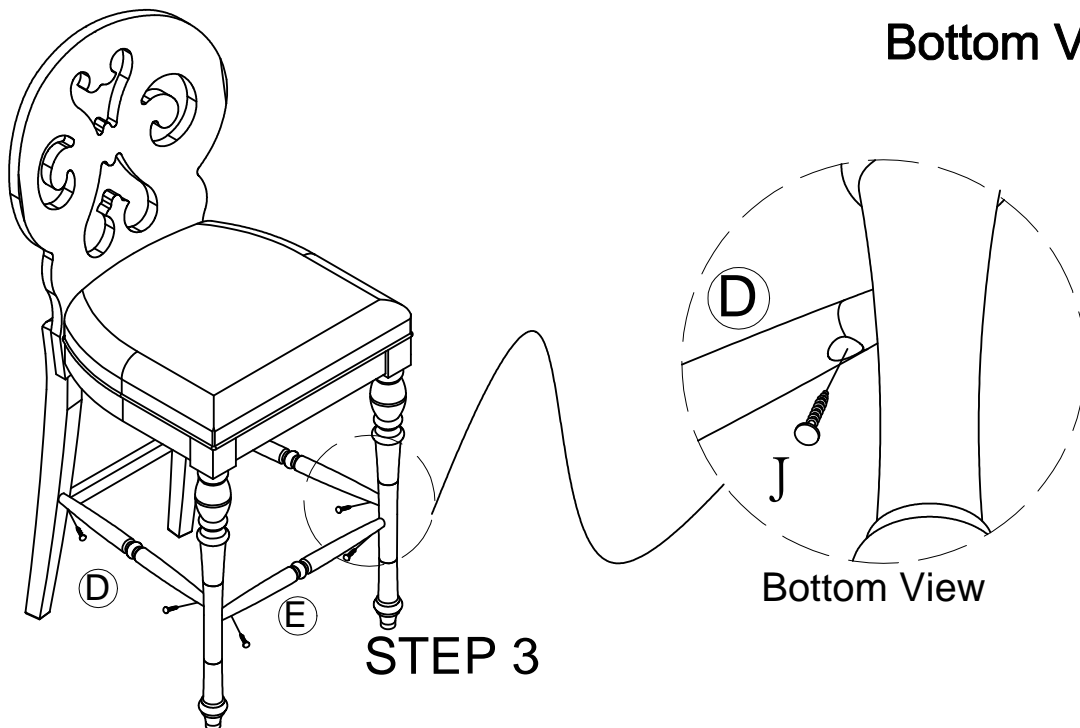
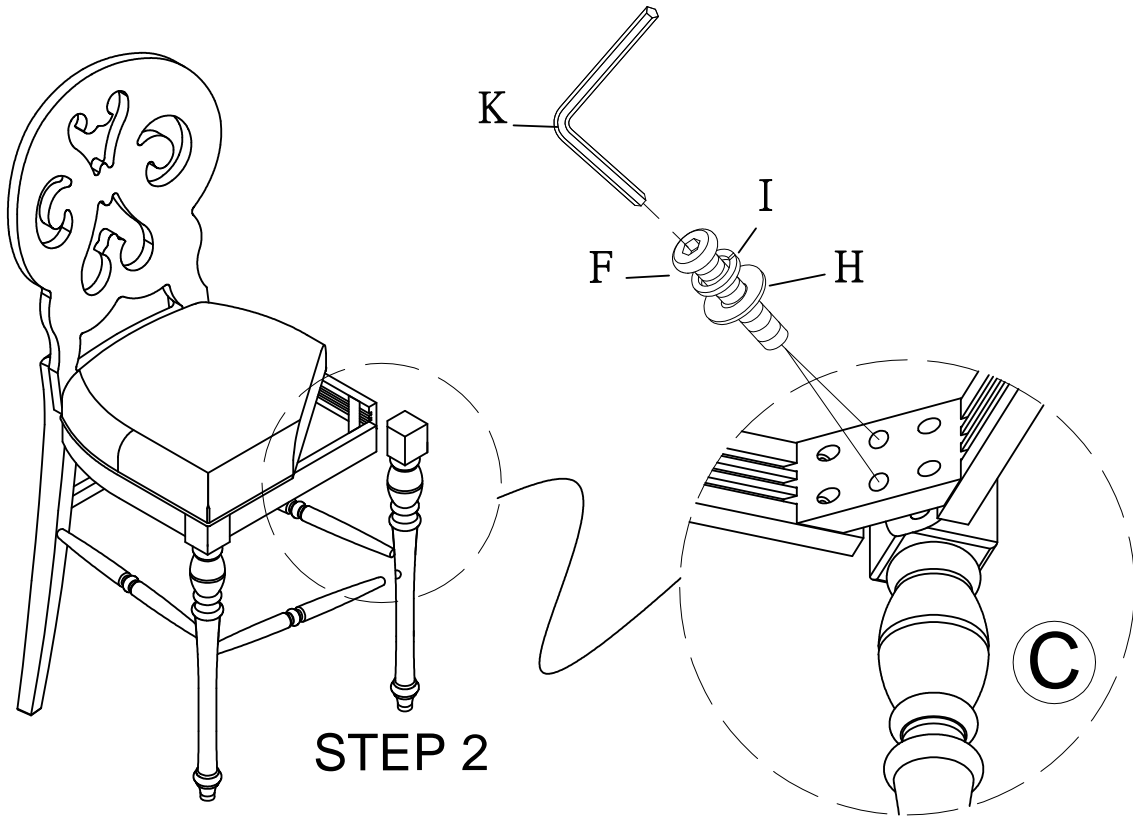
AMERICAN SIGNATURE, INC.

ASSEMBLY INSTRUCTIONS

EM NO: DVC100 SGC-3PACK/DVC100 SGC CHARLESTON WHITE
DVC200 SGC-3PACK/DVC200 SGC CHARLESTON GRAY
DVC300 SGC-3PACK/DVC300 SGC CHARLESTON TOBCC
SCROLL BACK CNTR STOOL



Thank you for purchasing this quality product. Be sure to check all packing material carefully for small parts that may have come loose inside the carton during shipment.



MADE IN VIETNAM

EXCLUSIVE AMERICAN SIGNATURE DESIGN-DO NOT REPRODUCE WITHOUT WRITTEN PERMISSION