



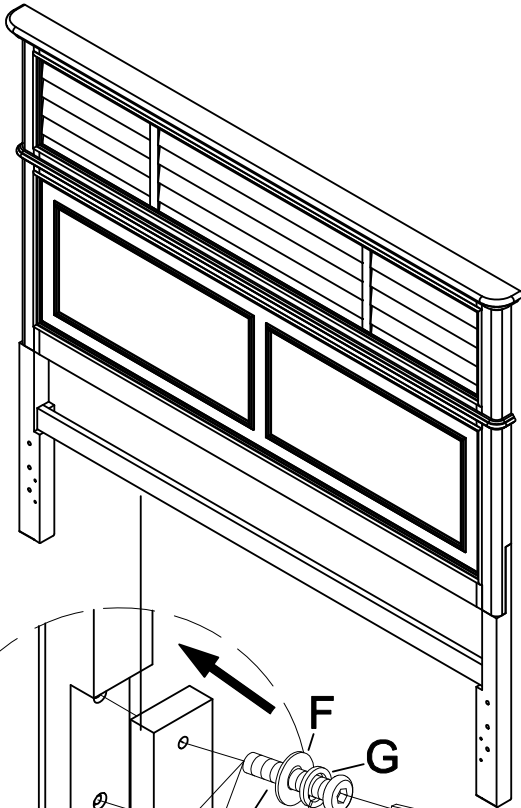
AMERICAN SIGNATURE, INC.



ASSEMBLY INSTRUCTIONS

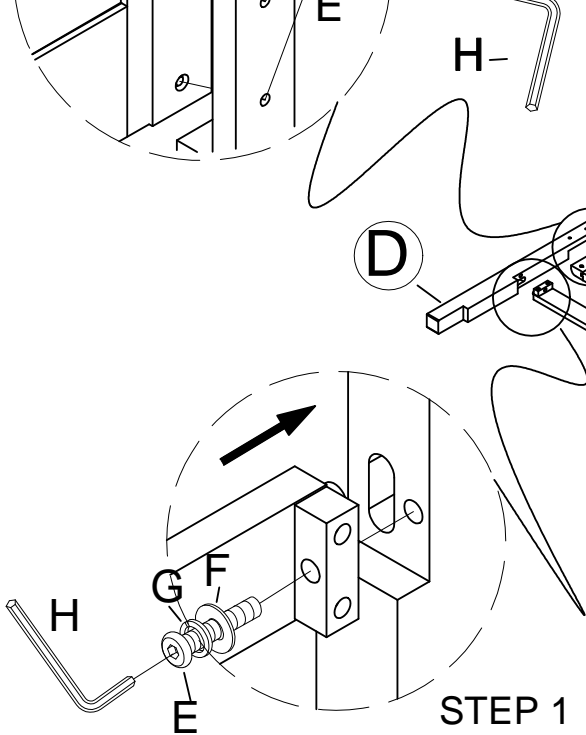
ITEM NO: BVC100 5PBH/BVC100 6PBH CHARLESTON WHITE
BVC200 5PBH/BVC200 6PBH CHARLESTON GRAY
BVC300 5PBH/BVC300 6PBH CHARLESTON TOBCC
QUEEN PANEL HB / KING PANEL HB

Thank you for purchasing this quality product. Be sure to check all packing material carefully for small parts that may have come loose inside the carton during shipment.

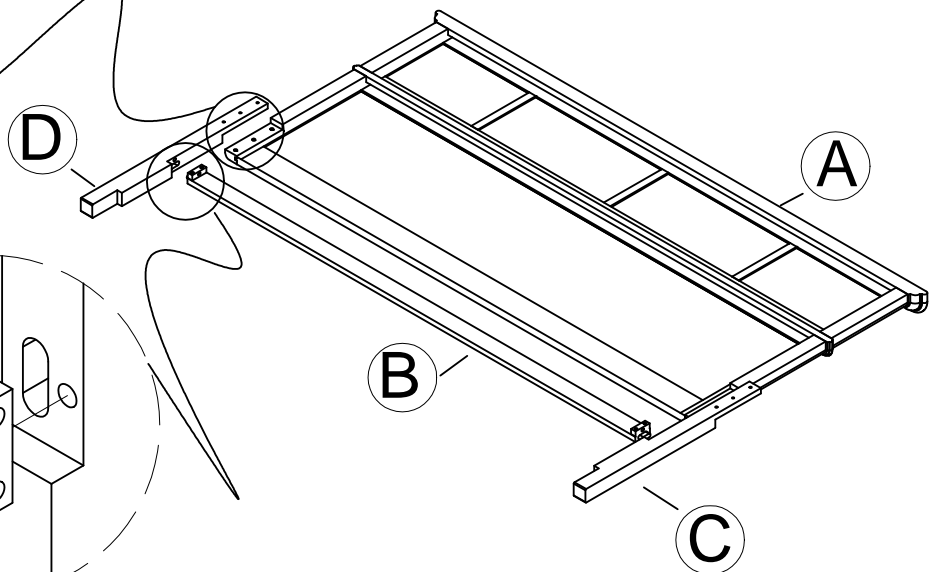


PARTS LIST:			
No.	Description	Sketch	Quantity
A	Headboard Panel		1pc
B	Middle Rail		1pc
C	RSF Leg		1pc
D	LFS Leg		1pc

HARDWARE LIST:				
No.	Description	Sketch	Size	Quantity
E	Bolt		Ø5/16"X18X1-3/4"	8 pcs
F	Flat washer		Ø5/16"X16mmX2mm	8 pcs
G	Spring washer		Ø5/16"X12mmX2mm	8 pcs
H	Allen wrench		4mm	1 pc
I	Allen wrench		4mm	1 pc



STEP 1



MADE IN VIETNAM



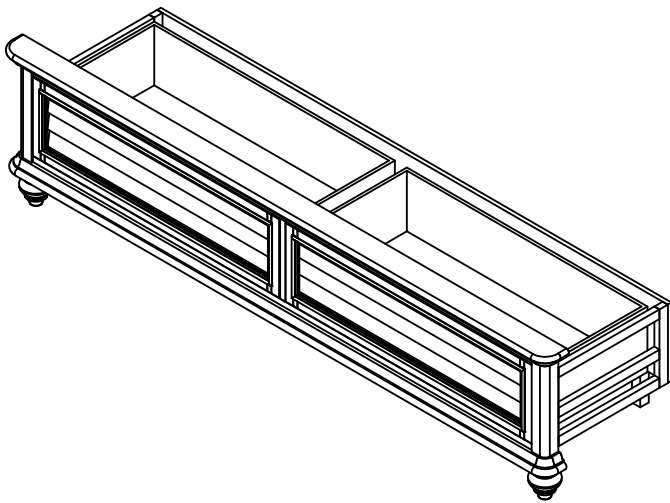
AMERICAN SIGNATURE, INC.



ASSEMBLY INSTRUCTIONS

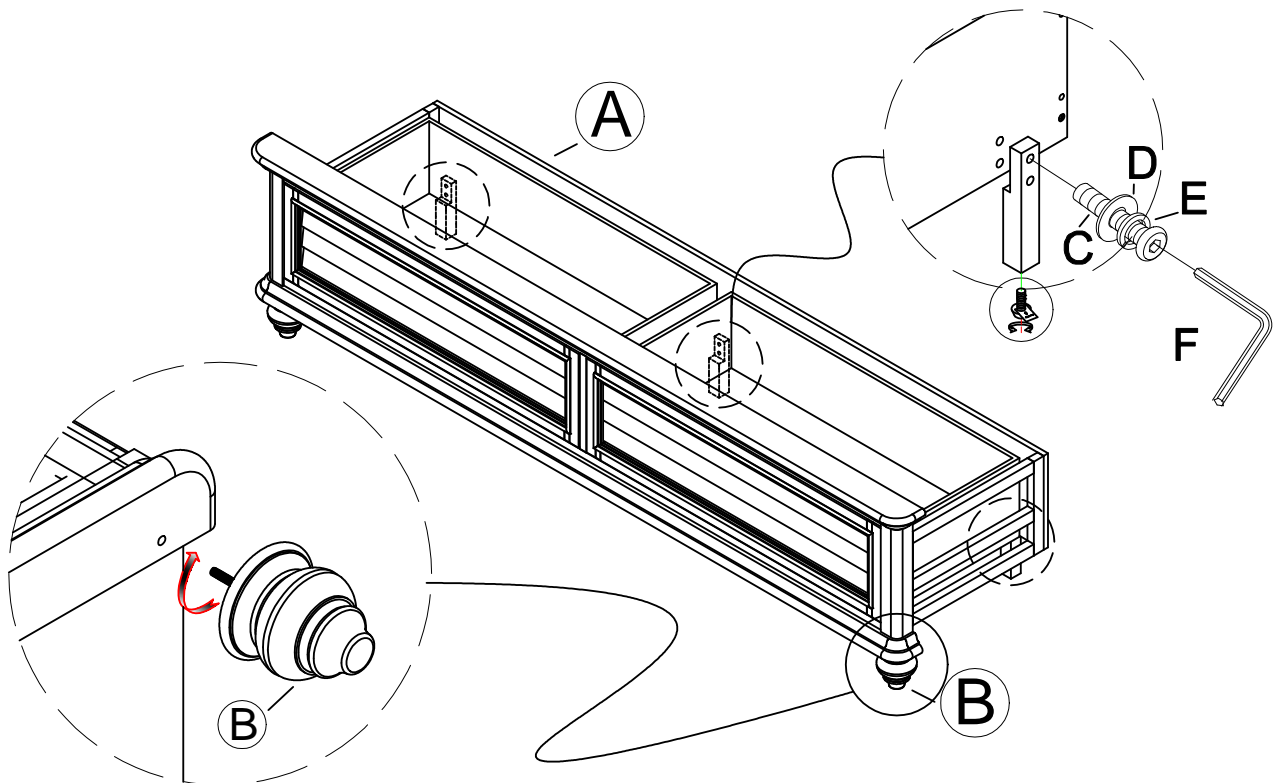
ITEM NO: BVC100 5SF CHARLESTON WHITE
BVC200 5SF CHARLESTON GRAY
BVC300 5SF CHARLESTON TOBCC
QUEEN STORAGE FB W/SLT

Thank you for purchasing this quality product. Be sure to check all packing material carefully for small parts that may have come loose inside the carton during shipment.



PARTS LIST:			
No.	Description	Sketch	Quantity
A	Storage Footboard		1pc
B	Finial		2 pcs
C	Support Leg		3 pcs

HARDWARE LIST:				
No.	Description	Sketch	Size	Quantity
C	Bolt		Ø5/16"L35	6 pcs
D	Flat washer		Ø5/16"X16mmX2mm	6 pcs
E	Spring washer		Ø5/16"X12mmX2mm	6 pcs
F	Allen wrench		4mm	1 pc
G	Allen wrench		4mm	1 pc



MADE IN VIETNAM

EXCLUSIVE AMERICAN SIGNATURE DESIGN-DO NOT REPRODUCE WITHOUT WRITTEN PERMISSION

ASSEMBLY INSTRUCTIONS

ITEM NO: BVC100 5PBH/BVC100 5SF/BVC100 56PR CHARLESTON WHITE
 BVC200 5PBH/BVC200 5SF/BVC200 56PR CHARLESTON GRAY
 BVC300 5PBH/BVC300 5SF/BVC300 56PR CHARLESTON TOBCC
 QUEEN PANEL HB
 QUEEN STORAGE FB W/SLT
 Q/K 14" STRG BED RAIL

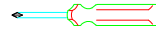
AMERICAN SIGNATURE, INC.

VCF



Thank you for purchasing this quality product. Be sure to check all packing material carefully for small parts that may have come loose inside the carton during shipment.

TOOLS REQUIRED (NOT PROVIDED)



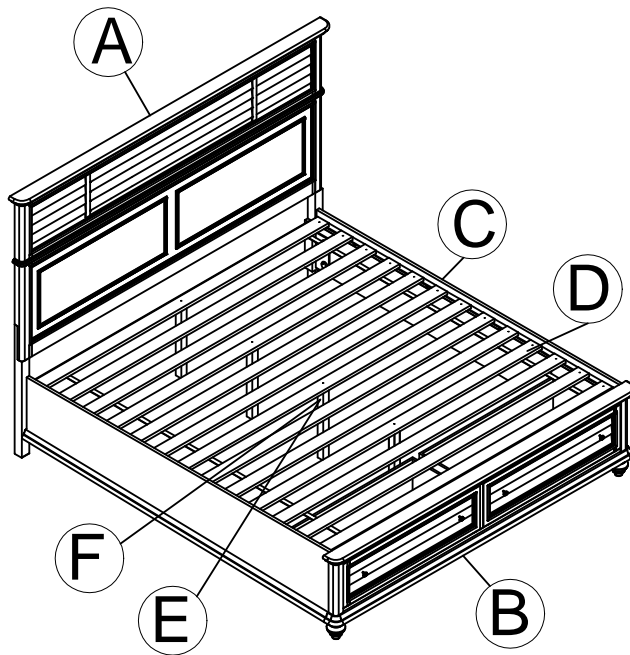
Screw Driver

PARTS LIST:

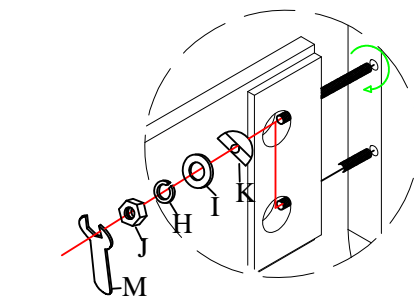
No.	Description	Sketch	Quantity
A	Headboard		1 pc
B	Footboard		1 pc
C	Side rail		2 pcs
D	Roll Slats (13 slats)		1 set
E	Upper Support Leg		4 pcs
F	Lower Support Leg		4 pcs

HARDWARE LIST:

No.	Description	Sketch	Size	Quantity
G	Threaded rod		Ø5/16"X89mm	8 pcs
H	Spring Washer		Ø5/16"X12mm X2mm	8 pcs
I	Flat Washer		Ø5/16"X16mm X2mm	8 pcs
J	Hex Nut		Ø5/16"X12mm	8 pcs
K	Half moon washers		29X15X7.5mm	8 pcs
L	Wood Screw		8X25mm	26 pcs
M	Open-head Wrench			1 pcs

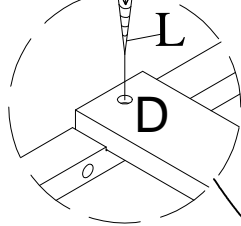


STEP 1

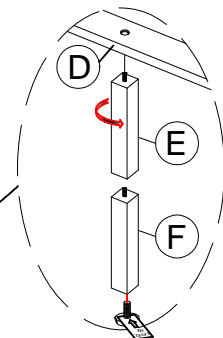


Not included

STEP 3



STEP 2



MADE IN VIETNAM

EXCLUSIVE AMERICAN SIGNATURE DESIGN-DO NOT REPRODUCE WITHOUT WRITTEN PERMISSION