



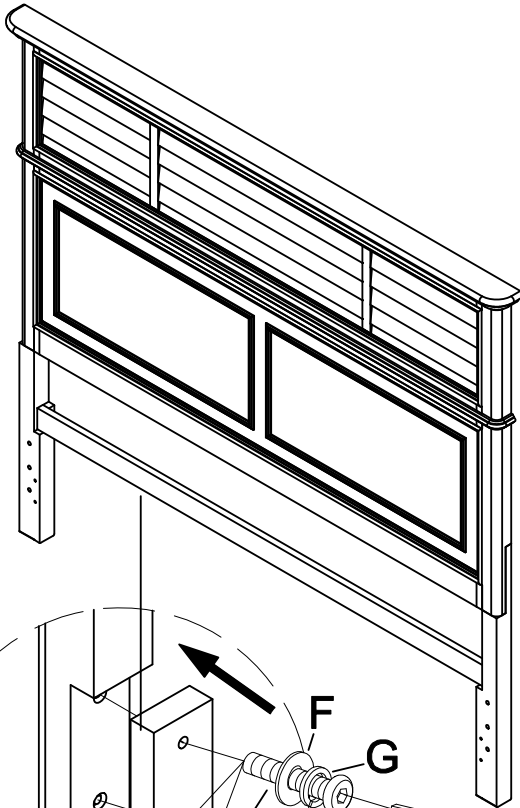
AMERICAN SIGNATURE, INC.



### ASSEMBLY INSTRUCTIONS

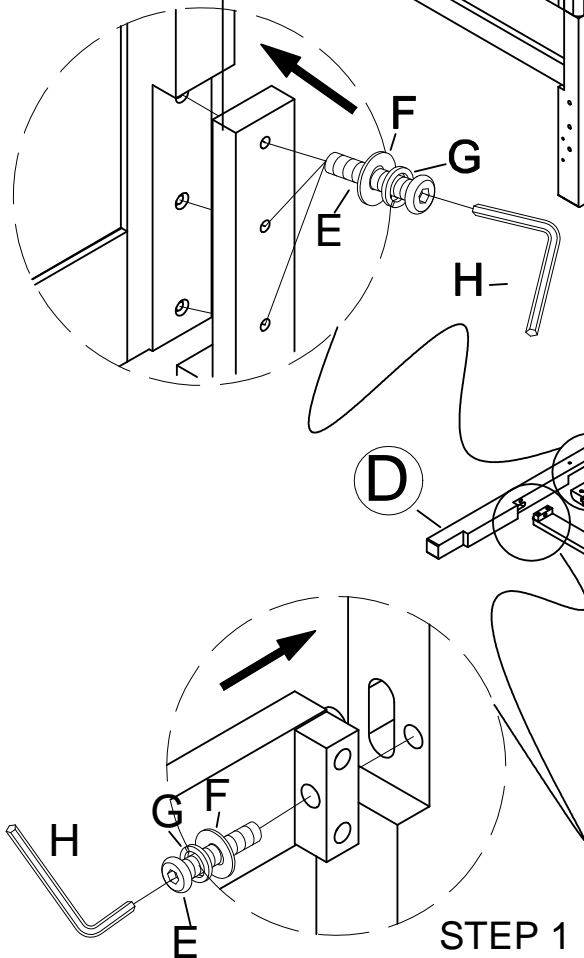
ITEM NO: BVC100 5PBH/BVC100 6PBH CHARLESTON WHITE  
BVC200 5PBH/BVC200 6PBH CHARLESTON GRAY  
BVC300 5PBH/BVC300 6PBH CHARLESTON TOBCC  
QUEEN PANEL HB / KING PANEL HB

Thank you for purchasing this quality product. Be sure to check all packing material carefully for small parts that may have come loose inside the carton during shipment.

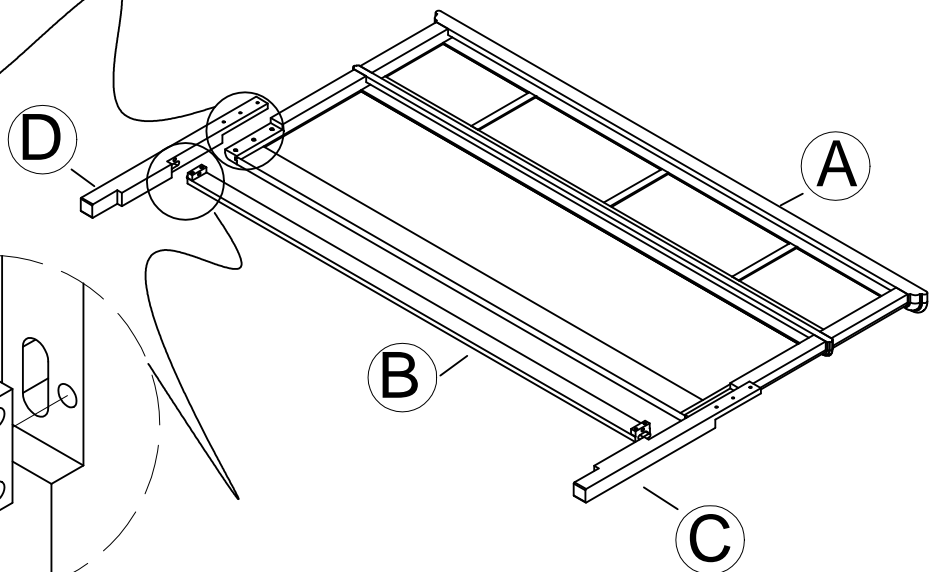


PARTS LIST:			
No.	Description	Sketch	Quantity
A	Headboard Panel		1pc
B	Middle Rail		1pc
C	RSF Leg		1pc
D	LFS Leg		1pc

HARDWARE LIST:				
No.	Description	Sketch	Size	Quantity
E	Bolt		Ø5/16"X18X1-3/4"	8 pcs
F	Flat washer		Ø5/16"X16mmX2mm	8 pcs
G	Spring washer		Ø5/16"X12mmX2mm	8 pcs
H	Allen wrench		4mm	1 pc
I	Allen wrench		4mm	1 pc



STEP 1



MADE IN VIETNAM

# ASSEMBLY INSTRUCTIONS

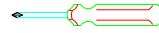
AMERICAN SIGNATURE, INC.



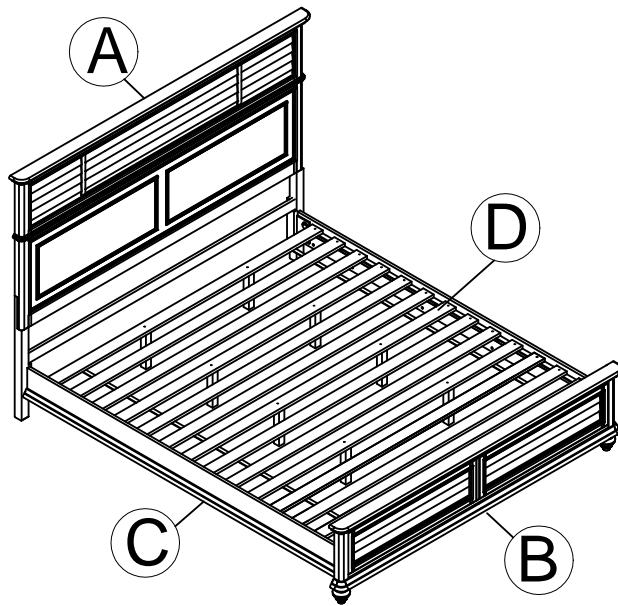
**ITEM NO:** BVC100 6PBH/BVC100 6PBF/BVC100 56PBR CHARLESTON WHITE  
 BVC200 6PBH/BVC200 6PBF/BVC200 56PBR CHARLESTON GRAY  
 BVC300 6PBH/BVC300 6PBF/BVC300 56PBR CHARLESTON TOBCC  
 KING PANEL HB  
 KING PANEL FB W/SLT  
 Q/K 8" PANEL RAIL

Thank you for purchasing this quality product. Be sure to check all packing material carefully for small parts that may have come loose inside the carton during shipment.

### TOOLS REQUIRED (NOT PROVIDED)



Screw Driver

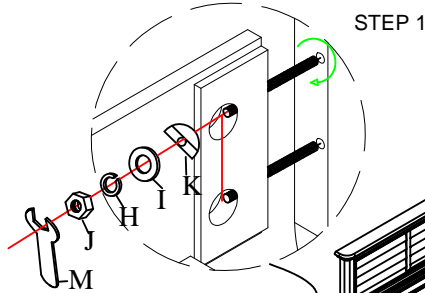


### PARTS LIST:

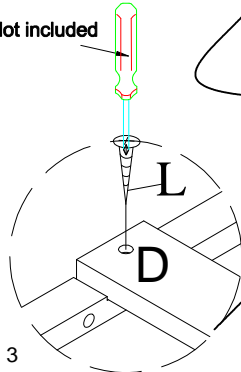
No.	Description	Sketch	Quantity
A	Headboard		1 pc
B	Footboard		1 pc
C	Side rail		2 pcs
D	Roll Slats (13 slats)		1 set
E	Upper Support Leg		10 pcs
F	Lower Support Leg		10 pcs

### HARDWARE LIST:

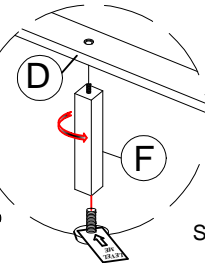
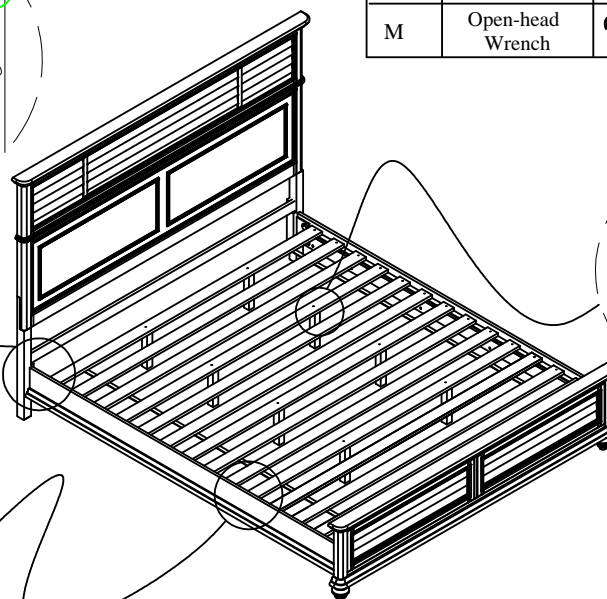
No.	Description	Sketch	Size	Quantity
G	Threaded rod		Ø5/16"X89mm	8 pcs
H	Spring Washer		Ø5/16"X12mm X2mm	8 pcs
I	Flat Washer		Ø5/16"X16mm X2mm	8 pcs
J	Hex Nut		Ø5/16"X12mm	8 pcs
K	Half moon washers		29X15X7.5mm	8 pcs
L	Wood Screw		8X25mm	26 pcs
M	Open-head Wrench			1 pcs



Not included



STEP 3



STEP 2

MADE IN VIETNAM

EXCLUSIVE AMERICAN SIGNATURE DESIGN-DO NOT REPRODUCE WITHOUT WRITTEN PERMISSION