



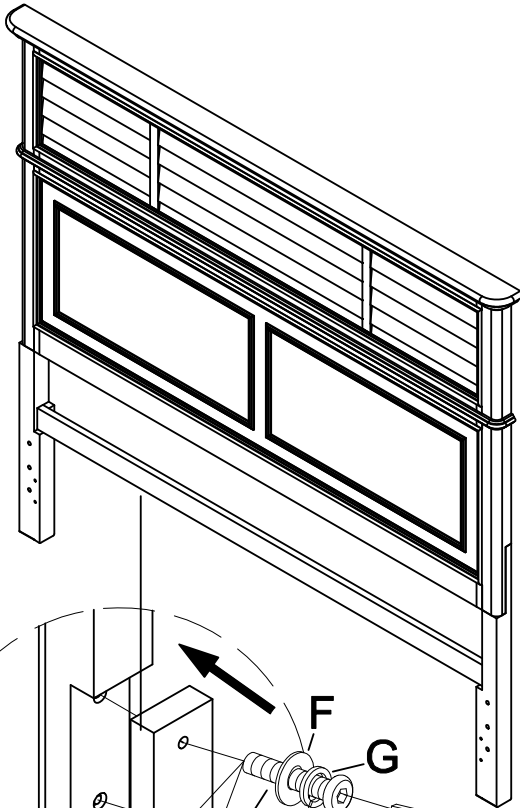
AMERICAN SIGNATURE, INC.



### ASSEMBLY INSTRUCTIONS

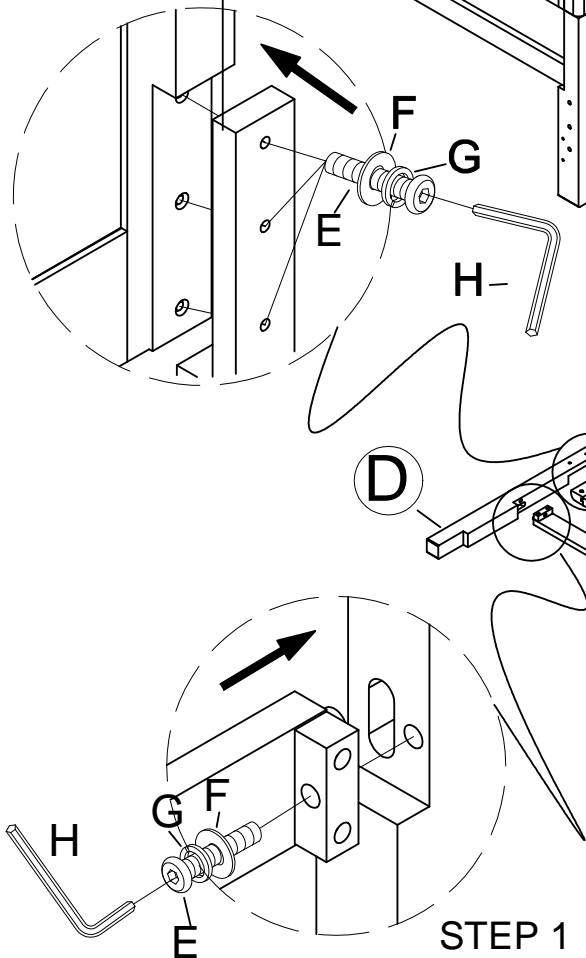
ITEM NO: BVC100 5PBH/BVC100 6PBH CHARLESTON WHITE  
BVC200 5PBH/BVC200 6PBH CHARLESTON GRAY  
BVC300 5PBH/BVC300 6PBH CHARLESTON TOBCC  
QUEEN PANEL HB / KING PANEL HB

Thank you for purchasing this quality product. Be sure to check all packing material carefully for small parts that may have come loose inside the carton during shipment.

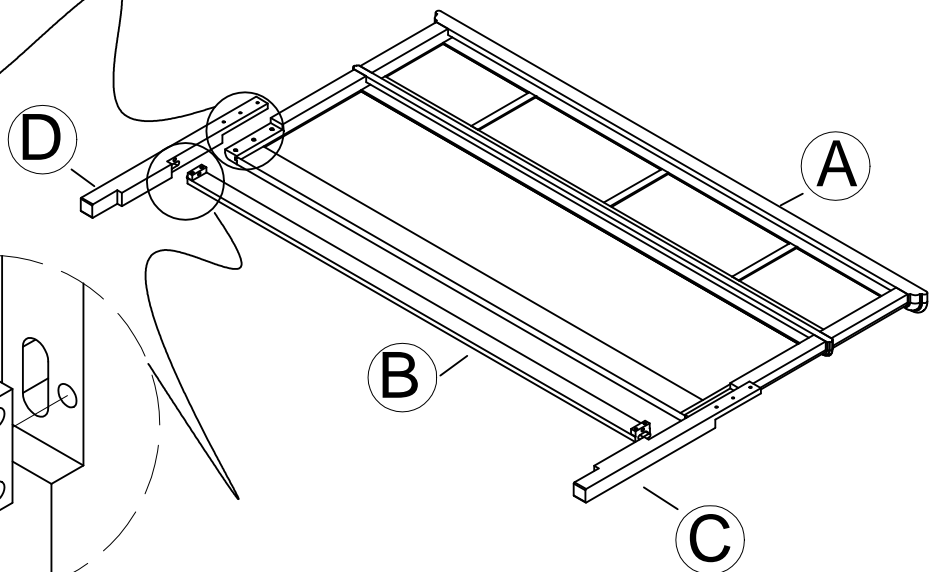


| PARTS LIST: |                 |        |          |
|-------------|-----------------|--------|----------|
| No.         | Description     | Sketch | Quantity |
| A           | Headboard Panel |        | 1pc      |
| B           | Middle Rail     |        | 1pc      |
| C           | RSF Leg         |        | 1pc      |
| D           | LFS Leg         |        | 1pc      |

| HARDWARE LIST: |               |        |                  |          |
|----------------|---------------|--------|------------------|----------|
| No.            | Description   | Sketch | Size             | Quantity |
| E              | Bolt          |        | Ø5/16"X18X1-3/4" | 8 pcs    |
| F              | Flat washer   |        | Ø5/16"X16mmX2mm  | 8 pcs    |
| G              | Spring washer |        | Ø5/16"X12mmX2mm  | 8 pcs    |
| H              | Allen wrench  |        | 4mm              | 1 pc     |
| I              | Allen wrench  |        | 4mm              | 1 pc     |



STEP 1



MADE IN VIETNAM



AMERICAN SIGNATURE, INC.

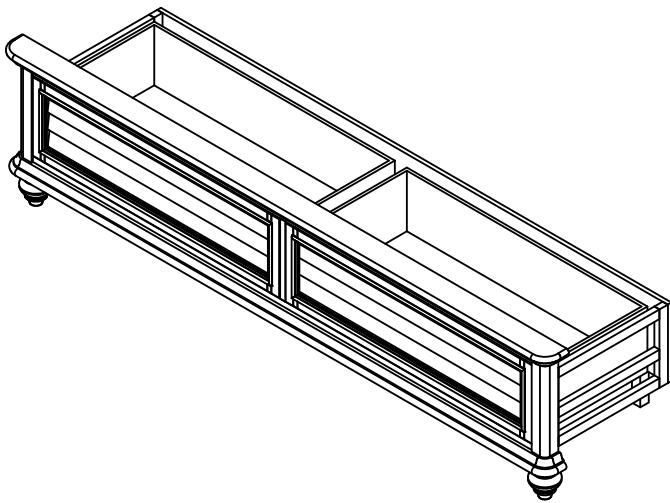
VCF



### ASSEMBLY INSTRUCTIONS

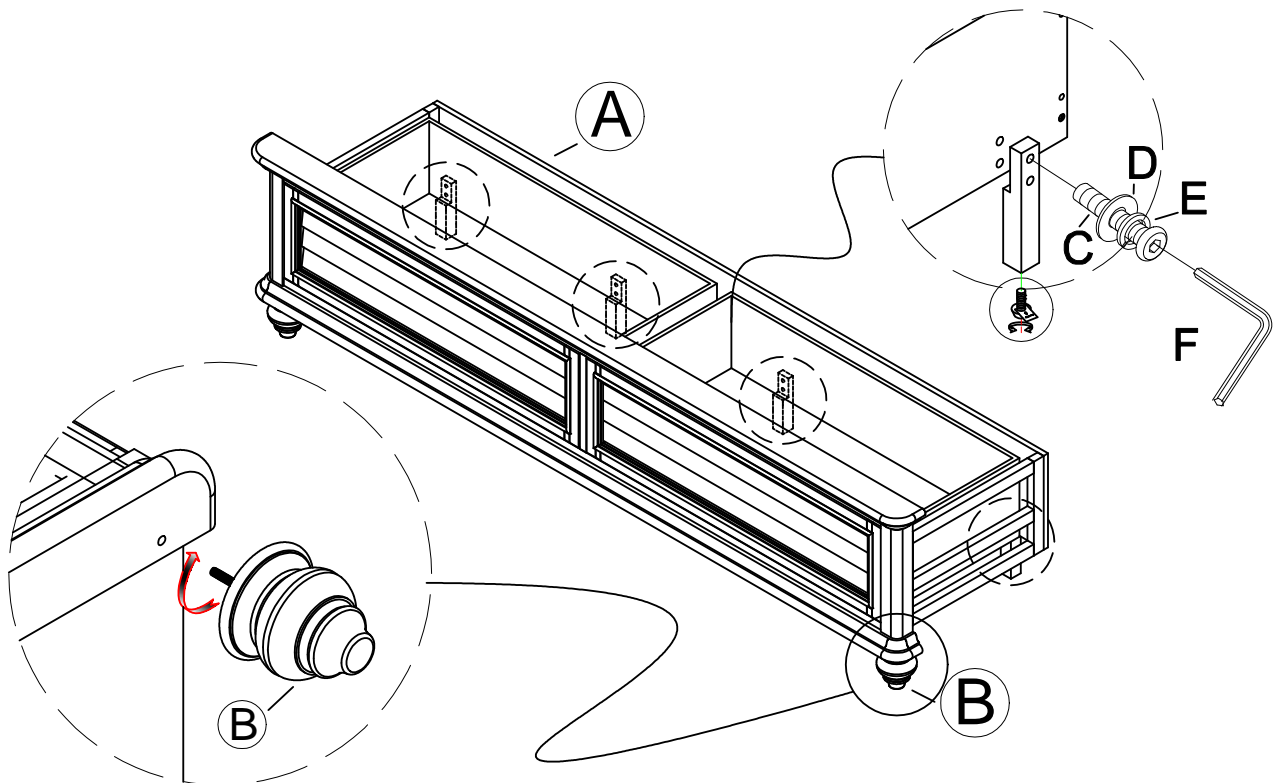
ITEM NO: BVC100 6SF CHARLESTON WHITE  
BVC200 6SF CHARLESTON GRAY  
BVC300 6SF CHARLESTON TOBCC  
KING STORAGE FB W/SLT

Thank you for purchasing this quality product. Be sure to check all packing material carefully for small parts that may have come loose inside the carton during shipment.



| PARTS LIST: |                   |        |          |
|-------------|-------------------|--------|----------|
| No.         | Description       | Sketch | Quantity |
| A           | Storage Footboard |        | 1pc      |
| B           | Finial            |        | 2 pcs    |
| C           | Support Leg       |        | 4 pcs    |

| HARDWARE LIST: |               |        |                 |          |
|----------------|---------------|--------|-----------------|----------|
| No.            | Description   | Sketch | Size            | Quantity |
| C              | Bolt          |        | Ø5/16"L35       | 8 pcs    |
| D              | Flat washer   |        | Ø5/16"X16mmX2mm | 8 pcs    |
| E              | Spring washer |        | Ø5/16"X12mmX2mm | 8 pcs    |
| F              | Allen wrench  |        | 4mm             | 1 pc     |
| G              | Allen wrench  |        | 4mm             | 1 pc     |



MADE IN VIETNAM

EXCLUSIVE AMERICAN SIGNATURE DESIGN-DO NOT REPRODUCE WITHOUT WRITTEN PERMISSION

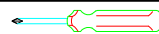
# ASSEMBLY INSTRUCTIONS

**ITEM NO:** BVC100 6PBH/BVC100 6SF/BVC100 56PR CHARLESTON WHITE  
 BVC200 6PBH/BVC200 6SF/BVC200 56PR CHARLESTON GRAY  
 BVC300 6PBH/BVC300 6SF/BVC300 56PR CHARLESTON TOBCC  
 KING PANEL HB  
 KING STORAGE FB W/SLT  
 Q/K 14" STRG BED RAIL



Thank you for purchasing this quality product. Be sure to check all packing material carefully for small parts that may have come loose inside the carton during shipment.

### TOOLS REQUIRED (NOT PROVIDED)



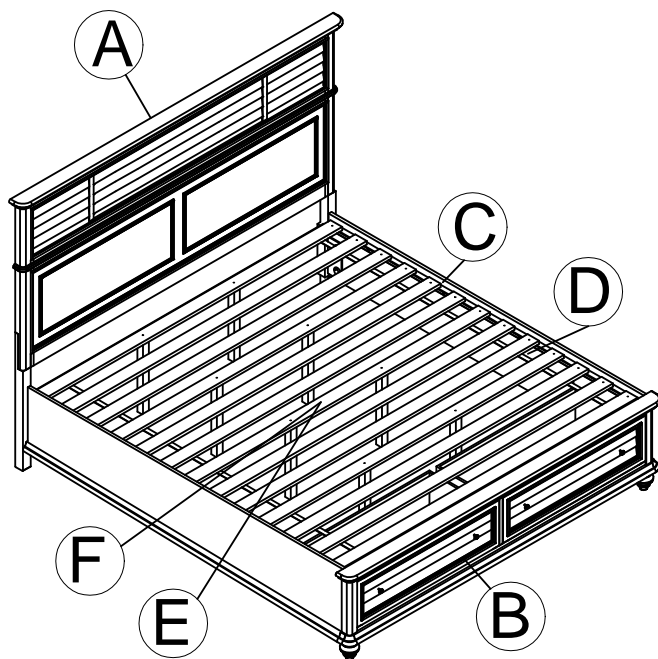
Screw Driver

### PARTS LIST:

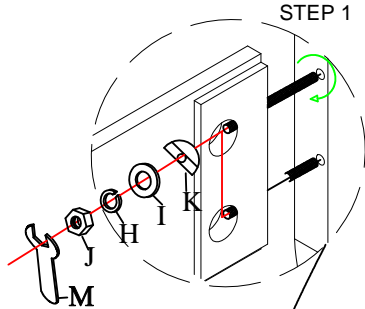
| No. | Description           | Sketch | Quantity |
|-----|-----------------------|--------|----------|
| A   | Headboard             |        | 1 pc     |
| B   | Footboard             |        | 1 pc     |
| C   | Side rail             |        | 2 pcs    |
| D   | Roll Slats (13 slats) |        | 1 set    |
| E   | Upper Support Leg     |        | 8 pcs    |
| F   | Lower Support Leg     |        | 8 pcs    |

### HARDWARE LIST:

| No. | Description       | Sketch | Size                | Quantity |
|-----|-------------------|--------|---------------------|----------|
| G   | Threaded rod      |        | Ø5/16"X89mm         | 8 pcs    |
| H   | Spring Washer     |        | Ø5/16"X12mm<br>X2mm | 8 pcs    |
| I   | Flat Washer       |        | Ø5/16"X16mm<br>X2mm | 8 pcs    |
| J   | Hex Nut           |        | Ø5/16"X12mm         | 8 pcs    |
| K   | Half moon washers |        | 29X15X7.5mm         | 8 pcs    |
| L   | Wood Screw        |        | 8X25mm              | 26 pcs   |
| M   | Open-head Wrench  |        |                     | 1 pcs    |

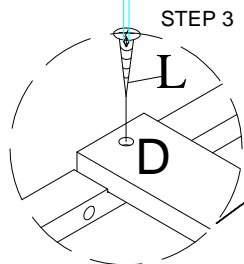


STEP 1

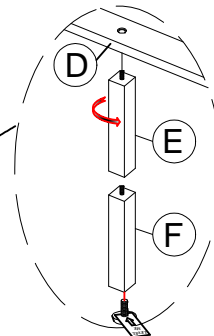


Not included

STEP 3



STEP 2



MADE IN VIETNAM

EXCLUSIVE AMERICAN SIGNATURE DESIGN-DO NOT REPRODUCE WITHOUT WRITTEN PERMISSION