



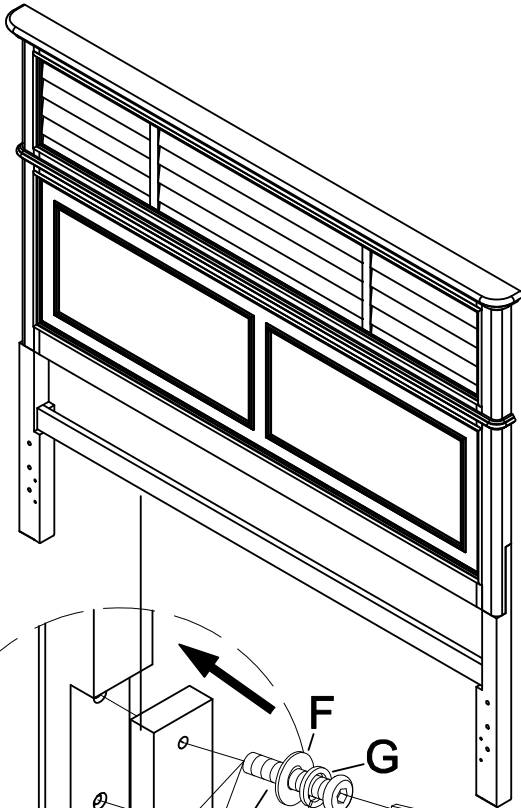
AMERICAN SIGNATURE, INC.



### ASSEMBLY INSTRUCTIONS

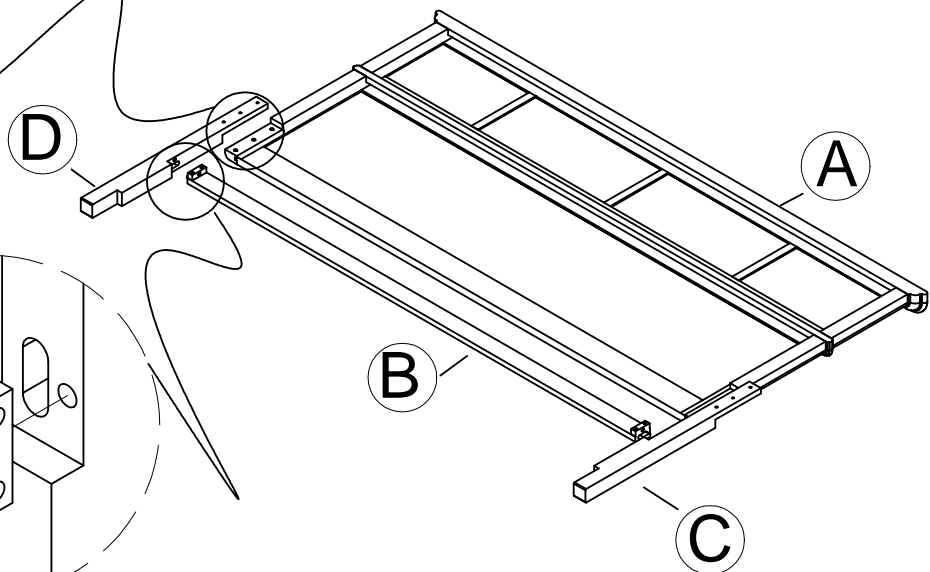
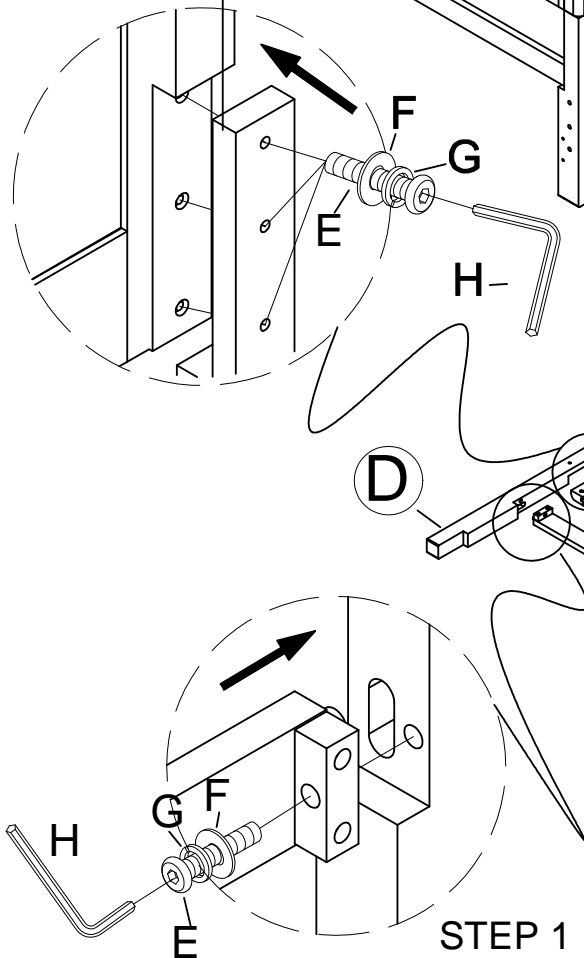
ITEM NO: BVC100 5PBH/BVC100 6PBH CHARLESTON WHITE  
BVC200 5PBH/BVC200 6PBH CHARLESTON GRAY  
BVC300 5PBH/BVC300 6PBH CHARLESTON TOBCC  
QUEEN PANEL HB / KING PANEL HB

Thank you for purchasing this quality product. Be sure to check all packing material carefully for small parts that may have come loose inside the carton during shipment.



PARTS LIST:			
No.	Description	Sketch	Quantity
A	Headboard Panel		1pc
B	Middle Rail		1pc
C	RSF Leg		1pc
D	LFS Leg		1pc

HARDWARE LIST:				
No.	Description	Sketch	Size	Quantity
E	Bolt		Ø5/16"X18X1-3/4"	8 pcs
F	Flat washer		Ø5/16"X16mmX2mm	8 pcs
G	Spring washer		Ø5/16"X12mmX2mm	8 pcs
H	Allen wrench		4mm	1 pc
I	Allen wrench		4mm	1 pc



MADE IN VIETNAM



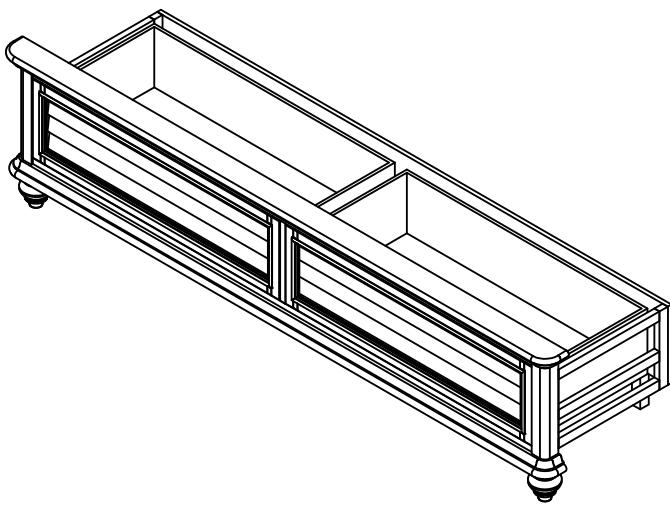
AMERICAN SIGNATURE, INC.



### ASSEMBLY INSTRUCTIONS

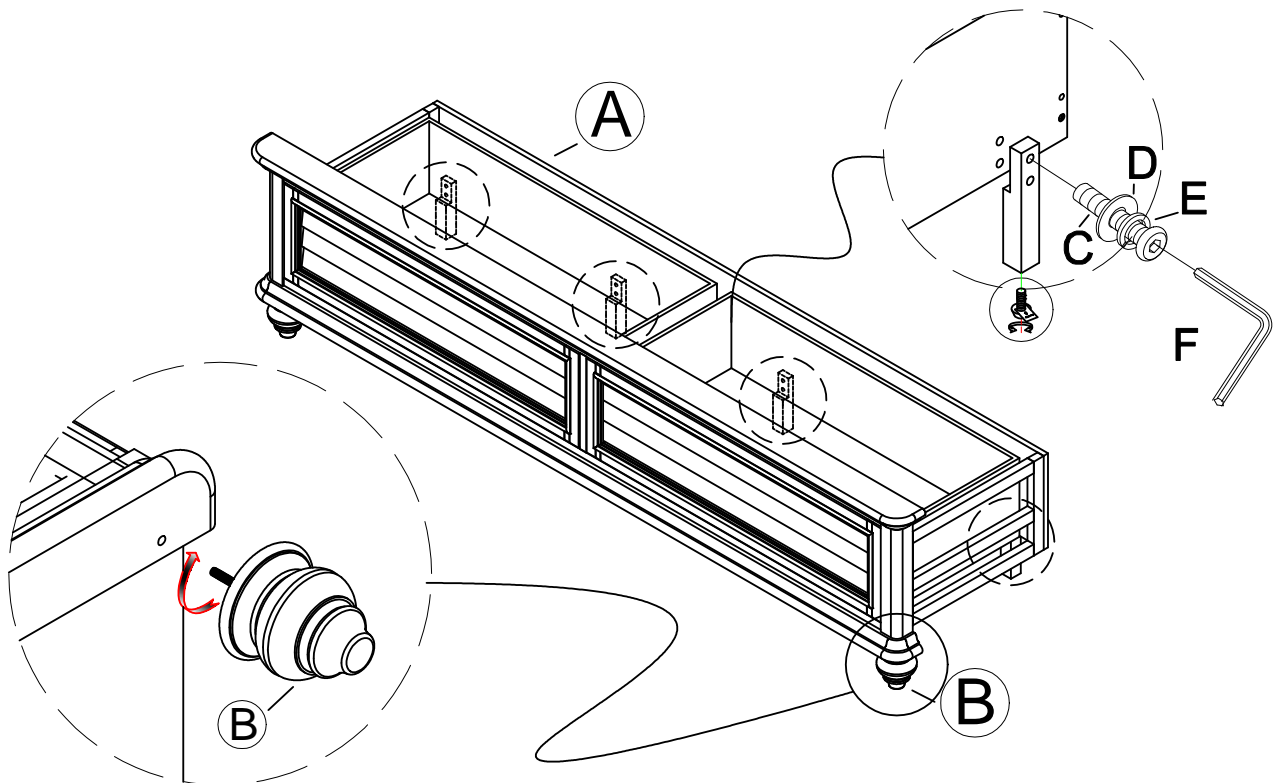
**ITEM NO:** BVC100 6SF CHARLESTON WHITE  
BVC200 6SF CHARLESTON GRAY  
BVC300 6SF CHARLESTON TOBCC  
KING STORAGE FB W/SLT

Thank you for purchasing this quality product. Be sure to check all packing material carefully for small parts that may have come loose inside the carton during shipment.



PARTS LIST:			
No.	Description	Sketch	Quantity
A	Storage Footboard		1pc
B	Finial		2 pcs
C	Support Leg		4 pcs

HARDWARE LIST:				
No.	Description	Sketch	Size	Quantity
C	Bolt		Ø5/16"L35	8 pcs
D	Flat washer		Ø5/16"X16mmX2mm	8 pcs
E	Spring washer		Ø5/16"X12mmX2mm	8 pcs
F	Allen wrench		4mm	1 pc
G	Allen wrench		4mm	1 pc



MADE IN VIETNAM

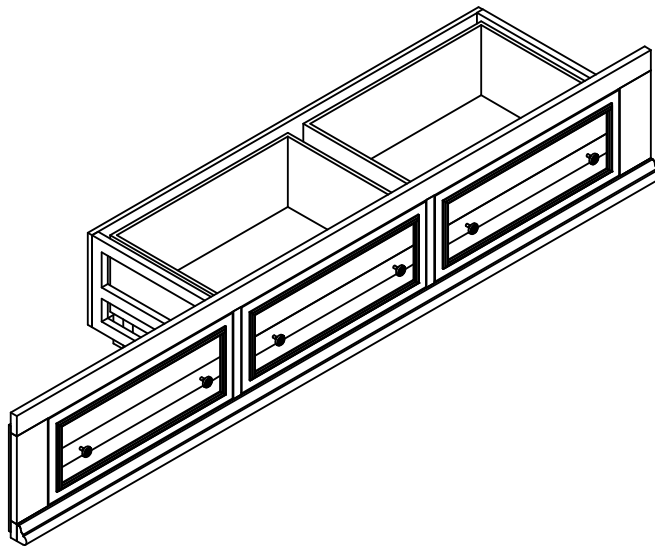
EXCLUSIVE AMERICAN SIGNATURE DESIGN-DO NOT REPRODUCE WITHOUT WRITTEN PERMISSION

**ASSEMBLY INSTRUCTIONS**

**ITEM NO:** BVC100 56LSSR/BVC100 56RSSR CHARLESTON WHITE  
 BVC200 56LSSR/BVC200 56RSSR CHARLESTON GRAY  
 BVC300 56LSSR/BVC300 56RSSR CHARLESTON TOBCC  
 Q/K LEFT STRG RAIL / Q/K RIGHT STRG RAIL



Thank you for purchasing this quality product. Be sure to check all packing material carefully for small parts that may have come loose inside the carton during shipment.

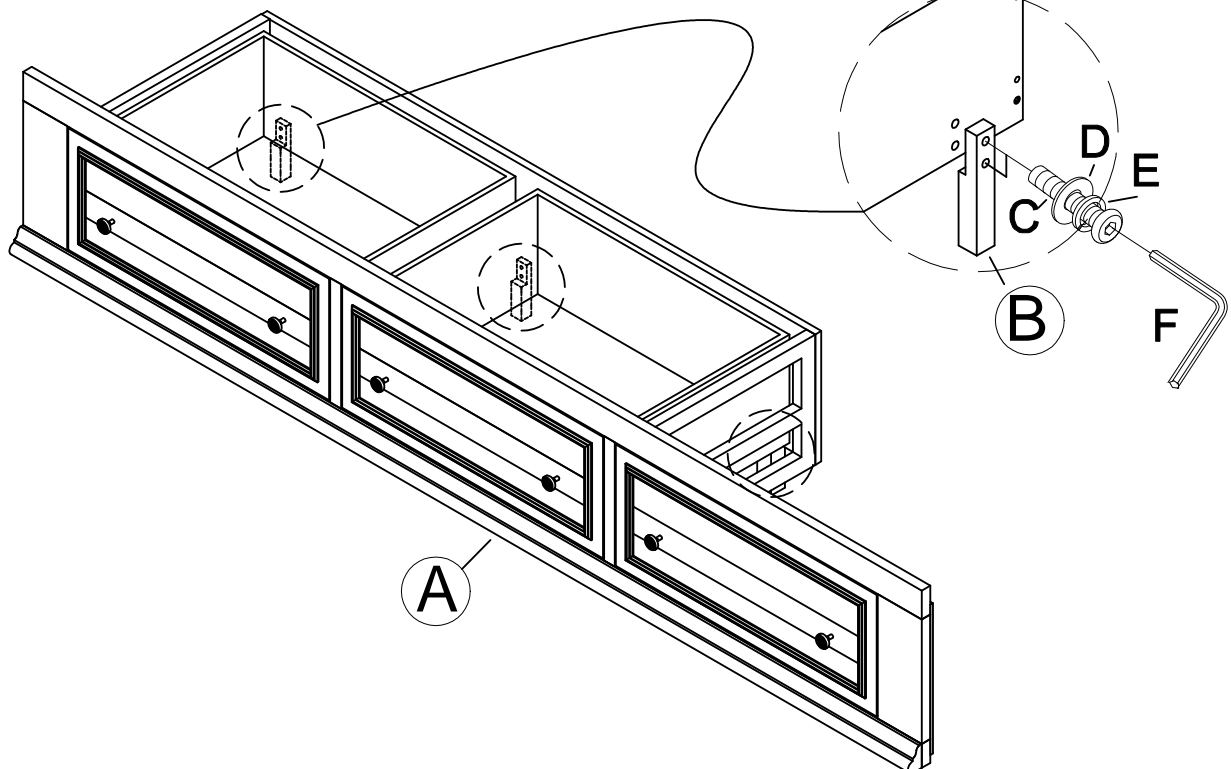


**PARTS LIST:**

No.	Description	Sketch	Quantity
A	Storage Side Rail		1pc
B	Support Leg		3 pcs

**HARDWARE LIST:**

No.	Description	Sketch	Size	Quantity
C	Bolt		Ø5/16"L35	6 pcs
D	Flat washer		Ø5/16"X16mmX2mm	6 pcs
E	Spring washer		Ø5/16"X12mmX2mm	6 pcs
F	Allen wrench		4mm	1 pc
G	Allen wrench		4mm	1 pc



MADE IN VIETNAM

# ASSEMBLY INSTRUCTIONS

**ITEM NO:** BVC100 6PBH/BVC100 6SF/BVC100 56LSSR/BVC100 56RSSR CHARLESTON WHITE  
 BVC200 6PBH/BVC200 6SF/BVC200 56LSSR/BVC200 56RSSR CHARLESTON GRAY  
 BVC300 6PBH/BVC300 6SF/BVC300 56LSSR/BVC300 56RSSR CHARLESTON TOBCC  
 KING PANEL HB/KING STORAGE FB W/SLT  
 Q/K LEFT STRG RAIL/Q/K RIGHT STRG RAIL

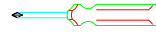
AMERICAN SIGNATURE, INC.

VCF



Thank you for purchasing this quality product. Be sure to check all packing material carefully for small parts that may have come loose inside the carton during shipment.

### TOOLS REQUIRED (NOT PROVIDED)



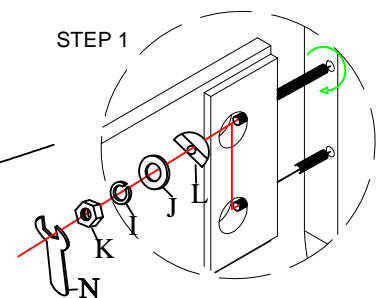
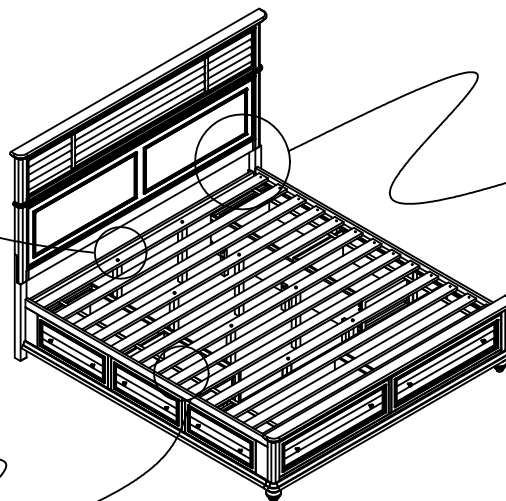
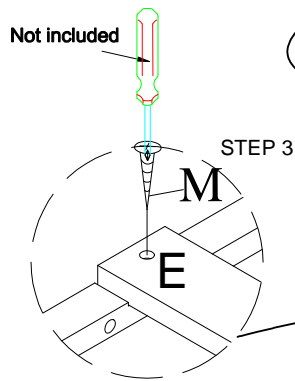
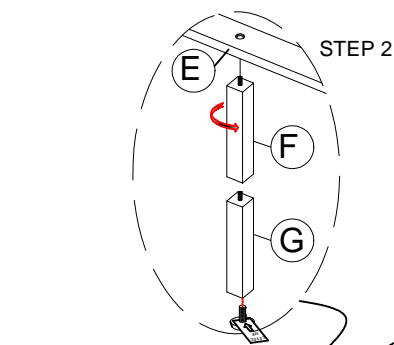
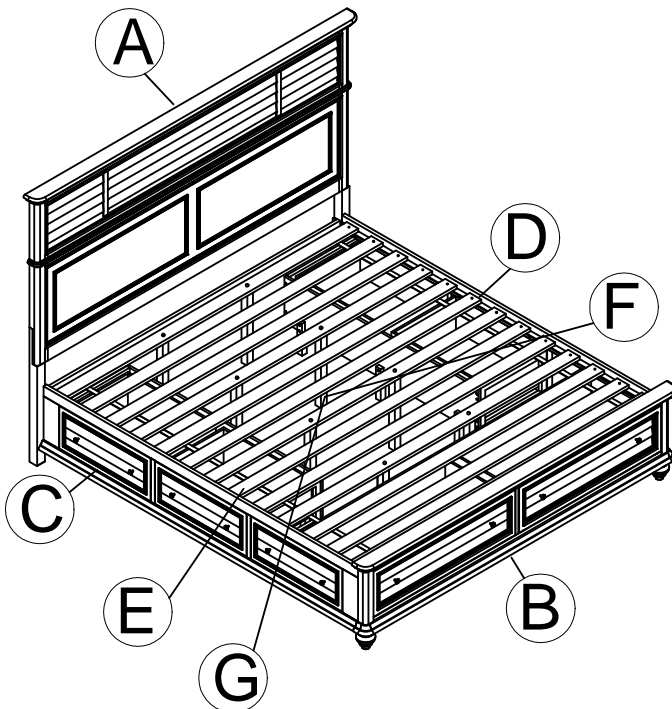
Screw Driver

### PARTS LIST:

No.	Description	Sketch	Quantity
A	Headboard		1 pc
B	Footboard		1 pc
C	Left Storage Rail		1 pc
D	Right Storage Rail		1 pc
E	Roll Slats (13 slats)		1 set
F	Upper Support Leg		8 pcs
G	Lower Support Leg		8 pcs

### HARDWARE LIST:

No.	Description	Sketch	Size	Quantity
H	Threaded rod		Ø5/16"X89mm	8 pcs
I	Spring Washer		Ø5/16"X12mm X2mm	8 pcs
J	Flat Washer		Ø5/16"X16mm X2mm	8 pcs
K	Hex Nut		Ø5/16"X12mm	8 pcs
L	Half moon washers		29X15X7.5mm	8 pcs
M	Wood Screw		8X25mm	26 pcs
N	Open-head Wrench			1 pcs



MADE IN VIETNAM

EXCLUSIVE AMERICAN SIGNATURE DESIGN-DO NOT REPRODUCE WITHOUT WRITTEN PERMISSION