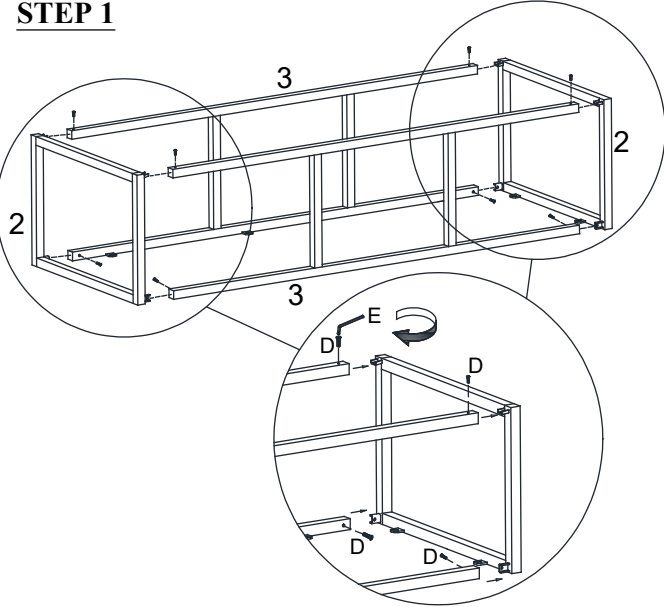


ASSEMBLY INSTRUCTIONS
ITEM NO: IPHT6418DRPC
DESCRIPTION: 64" CONSOLE
-CARTER PINE

Thank you for purchasing this quality product. Be sure to check all packing material carefully for small parts that may have come loose inside the carton during shipment.

STEP 1



TOOL REQUIRED (NOT PROVIDED):
PHILLIPS SCREW DRIVER



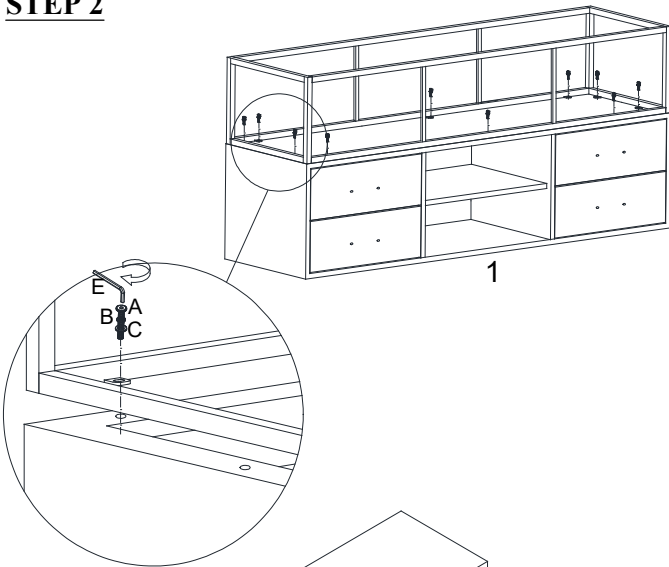
PARTS LIST

No.	Description	Sketch	Q'ty
1	Cabinet		1 PC
2	Leg Frame		2 PCS
3	Front & Back Frame		2 PCS

HARDWARE LIST

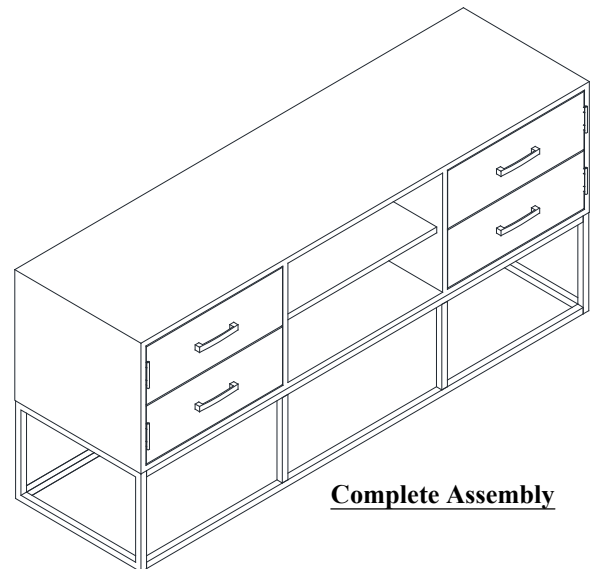
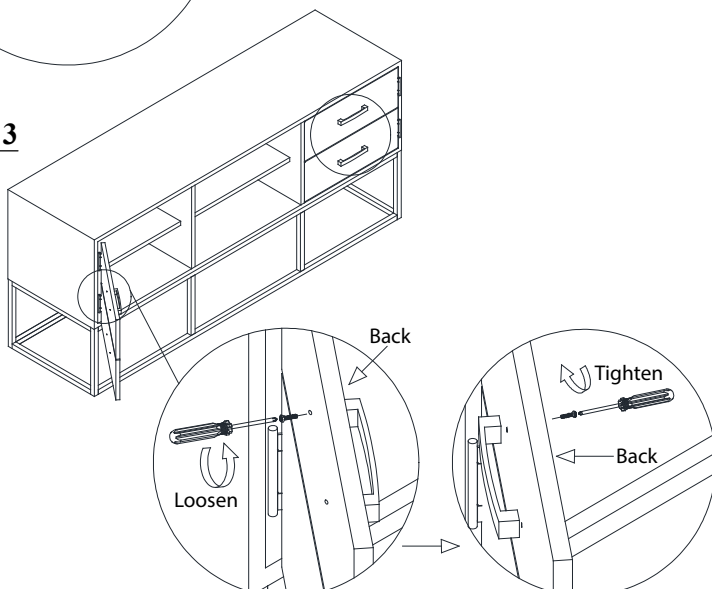
No.	Description	Sketch	Size	Q'ty
A	JCBC Bolt		Ø ¼" x 15mm	10 PCS
B	Spring Washer		Ø 9.5 x Ø12mm	10 PCS
C	Flat Washer		Ø 9.5 x Ø12mm	10 PCS
D	Counter- Sink Bolt		Ø ¼" x 15mm	8 PCS
E	Allen Key		M4	1 PC
F	Straight Allen Key		M4	1 PC
G	Furniture Tipping Restraint			2 SETS

STEP 2



Note: 1. Straight Allen Key (F) is for use with a power drill.
 2. Don't tighten all bolts until the end of Step 2.

STEP 3



Complete Assembly