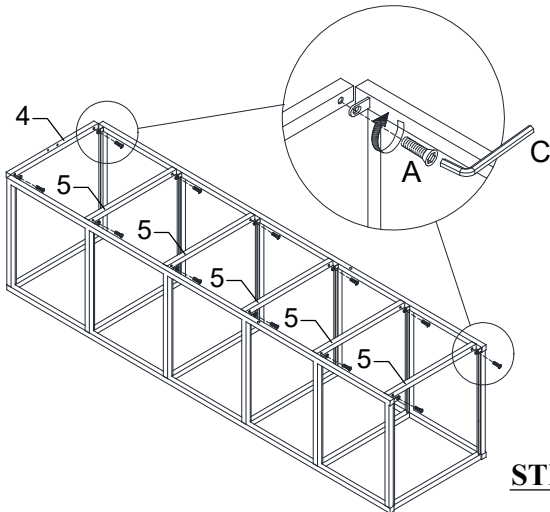
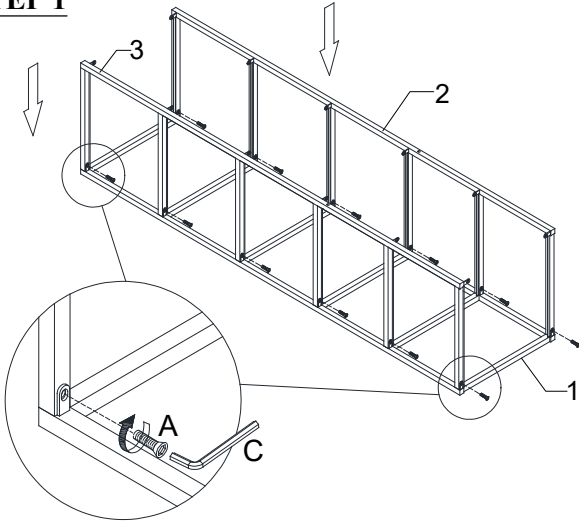




**ASSEMBLY INSTRUCTIONS**  
**ITEM NO: IPHT1872PDRPC**  
**DESCRIPTION: PIER CABINET**  
**-CARTER PINE**

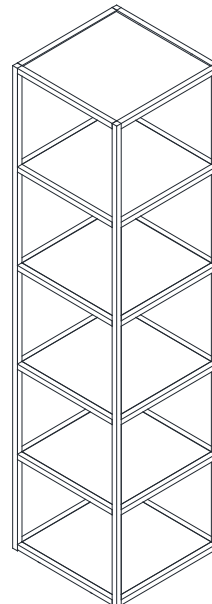
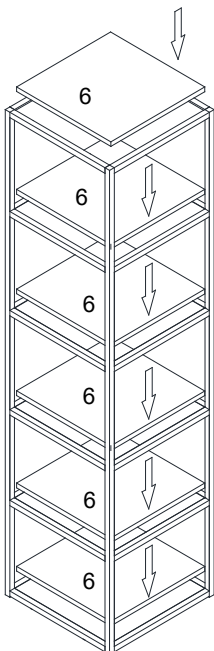
Thank you for purchasing this quality product. Be sure to check all packing material carefully for small parts that may have come loose inside the carton during shipment.

**STEP 1**



**STEP 2**

**STEP 3**



**Complete Assembly**

**PARTS LIST**

No.	Description	Sketch	Q'ty
1	Front Frame		1 PC
2	Side Frame - Left		1 PC
3	Side Frame - Right		1 PC
4	Top Stretcher		1 PC
5	Stretcher		5 PCS
6	Shelf		6 PCS

**HARDWARE LIST**

No.	Description	Sketch	Size	Q'ty
A	Counter- Sink Bolt		Ø ¼" x 15mm	26 PCS
B	Metal Plate			1 PC
C	Allen Key		M4	1 PC
D	Straight Allen Key		M4	1 PC
E	Furniture Tipping Restraint			1 SET

Note: 1.Straight Allen Key ( D ) is for use with a power drill.  
 2.Don't tighten all bolts until the end of Step 3.

Thank you for purchasing this quality product. Be sure to check all packing material carefully for small parts that may have come loose inside the carton during shipment.

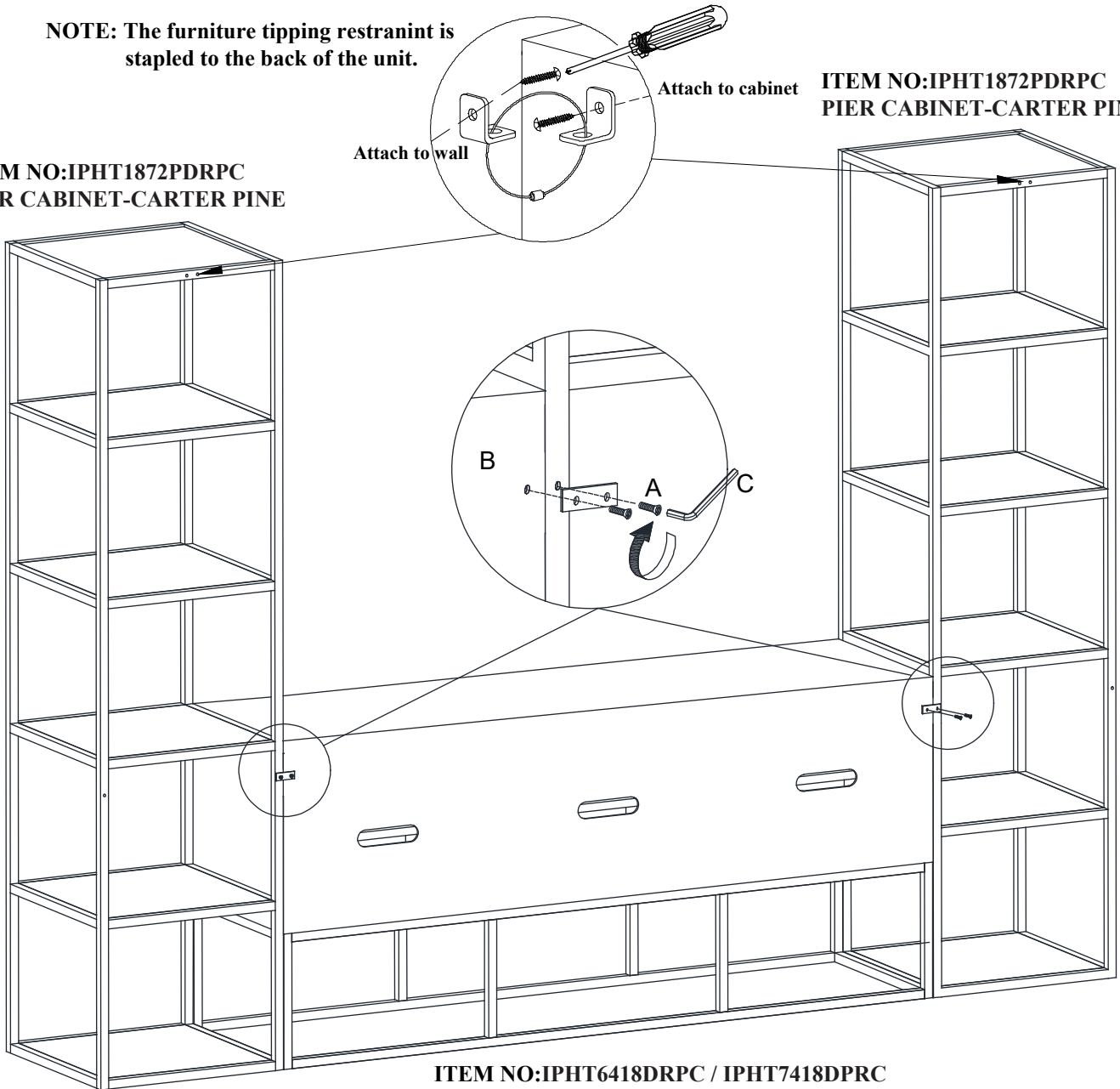
**STEP 4**

Collect the Pier Cabinet with 64" /74" Console together as a whole by using Metal Plate (B), Counter-Sink Bolt(A) and Allen Key(C).

**NOTE: The furniture tipping restranint is stapled to the back of the unit.**

ITEM NO:IPHT1872PDRPC  
 PIER CABINET-CARTER PINE

ITEM NO:IPHT1872PDRPC  
 PIER CABINET-CARTER PINE



ITEM NO:IPHT6418DRPC / IPHT7418DPRC  
 64" / 74" CONSOLE -CARTER PINE

Complete Assembly