



Thank you for purchasing this quality product. Be sure to check all packing material carefully for small parts that may have come loose inside the carton during shipment.

ASSEMBLY PROCEDURE:

Step 1:

Lay the Side Frame (A or B) on a carpeted or scratch-free work surface

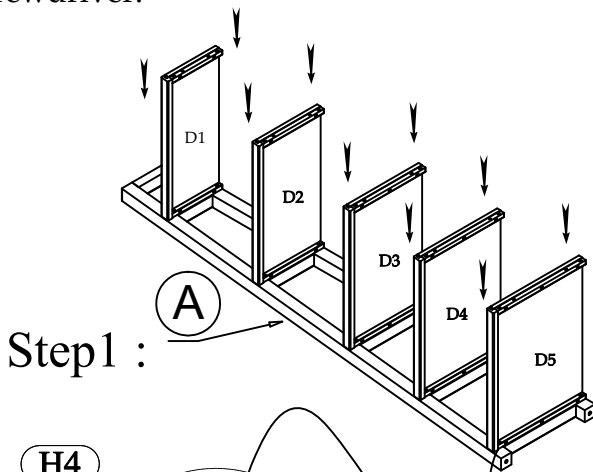
Step 2: Insert the Wood Dowels (H7) in the pre-drilled holes on the Side Frame, attach the proper width of Shelf (D) to the correct location of the Side Frame by aligning the pre-drilled holes on the Shelf with the Wood Dowel of the Side Frame. And secure by using Allen head bolt (H1), Spring washer (H2) and Flat washer (H3)

Step 3: Assemble the Stretchers (C) to the Side Frame by using Wood Screws (H5) and your Phillips Screwdriver.

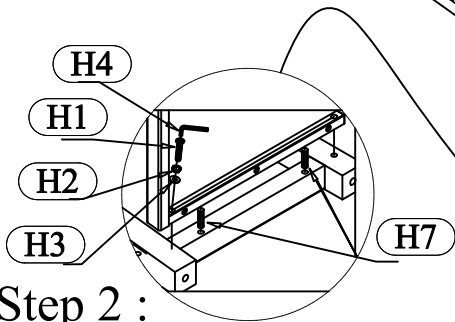
PARTS LIST:			
No.	Description	Sketch	Quantity
A	Left Side Frame		1
B	Right Side Frame		1
C	Stretcher		2
D	Shelf		5

TOOLS REQUIRED (NOT PROVIDED)	
Phillips Screw Driver	

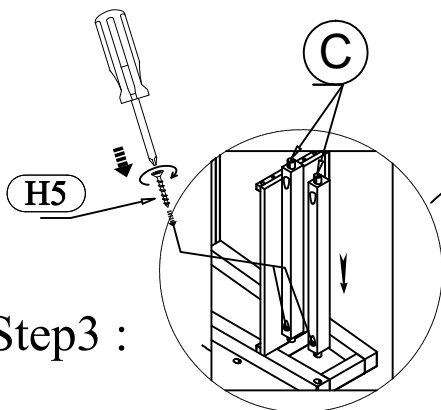
HARDWARE LIST:				
No.	Description	Sketch	Size	Quantity
H1	Allen Head Bolt		Ø1/4" x 38mm	20
H2	Spring Washer		Ø1/4"	20
H3	Flat Washer		Ø1/4" x 16 x 2mm	20
H4	Allen Key		4mm	1
H5	Wood Screw		Ø4 x 38mm	4
H6	Furniture Tipping Restraint Kit			1
H7	Wood Dowel		Ø 8 x L30mm	20
H8	Straight Allen Key		4mm x 100mm	1



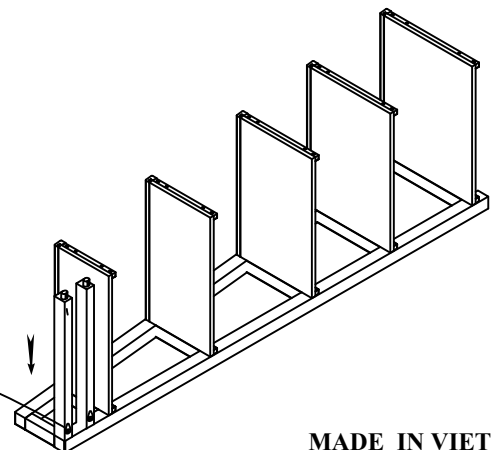
Step 1 :



Step 2 :



Step 3 :





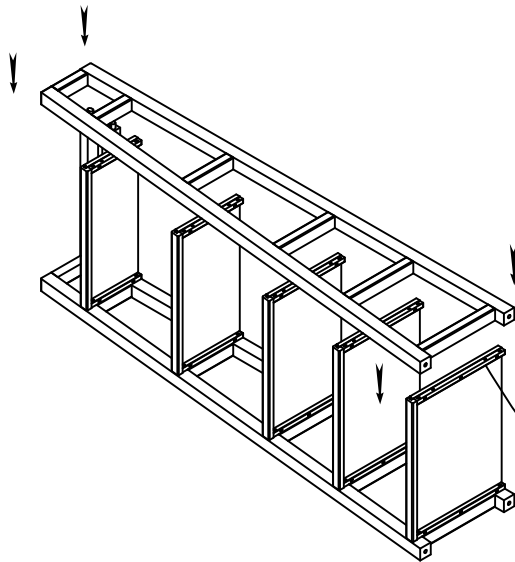
ASSEMBLY INSTRUCTIONS

Item No:57227

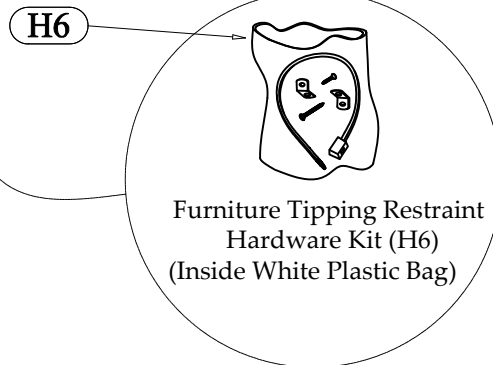
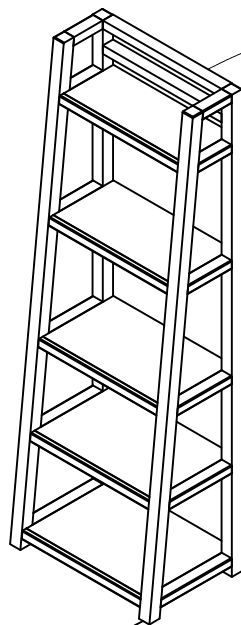
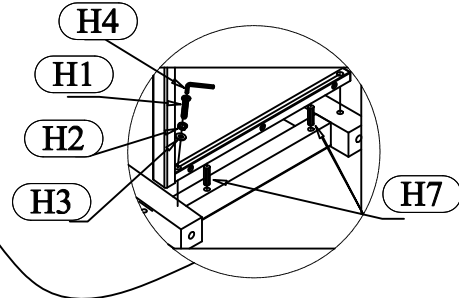
Description: LEANING BOOKCASE - CARLTON BLACK

Step 4: Assemble the other Side Frame to the Shelves and Stretchers that were previously assembled.

Step 5: Carefully set the Bookcase to its upright position.

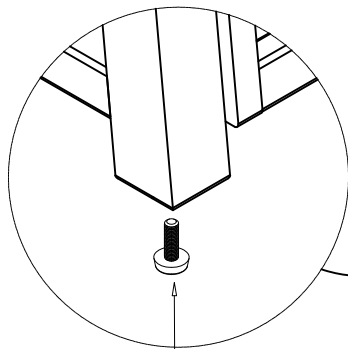


Step 4 :



Furniture Tipping Restraint Hardware Kit (H6)
(Inside White Plastic Bag)

For product and personal safety, an Furniture Tipping Restraint kit has been included with this cabinet which can help to minimize the risk of the cabinet accidentally tipping forward, if used and properly installed.



Adjustable Leveler

There are levelers underneath the Bookcase which can be adjusted to compensate for uneven flooring. If the furniture wobbles, determine which corner does not touch the floor correctly. With two people follow these steps:

1. Carefully elevate the item slightly to provide access to the levelers attached to the bottom.
2. Turn the levelers until adequate contact will be made with the floor. Gently set down the piece and check stability. Repeat steps until furniture sits firmly on the floor.