

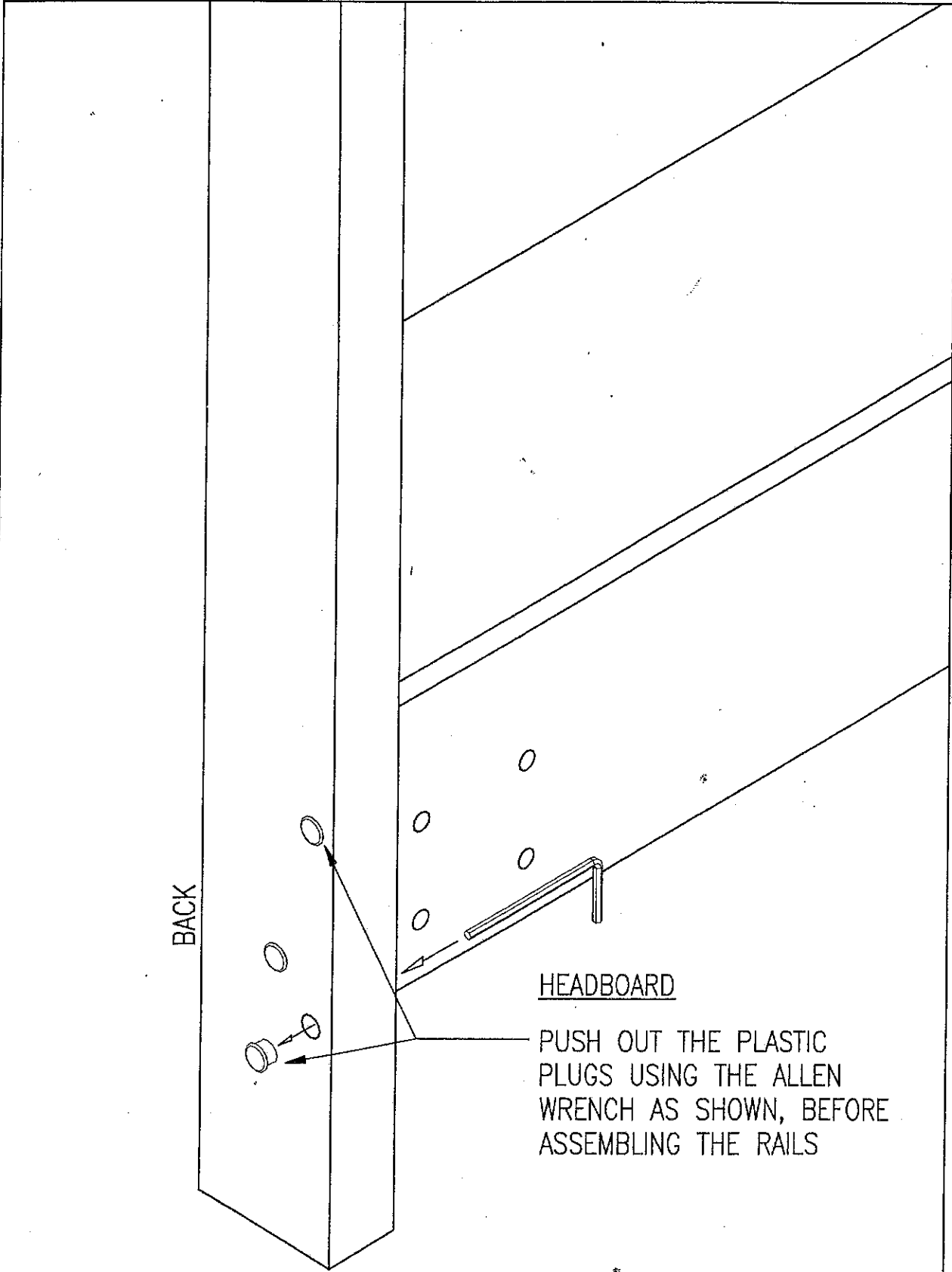
BED ASSEMBLY - STEP 1

EDITIONS

BACK

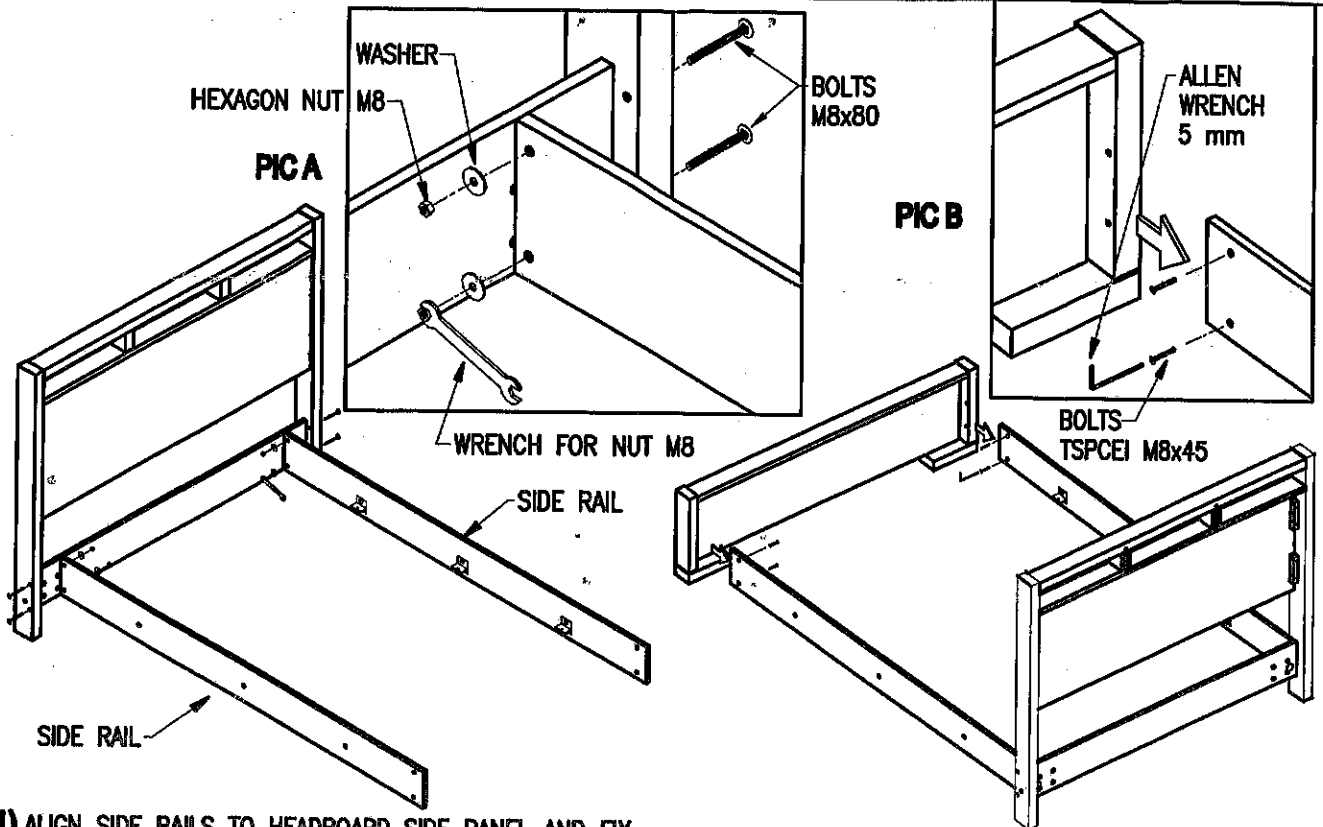
HEADBOARD

PUSH OUT THE PLASTIC
PLUGS USING THE ALLEN
WRENCH AS SHOWN, BEFORE
ASSEMBLING THE RAILS



BED ASSEMBLY

EDITIONS

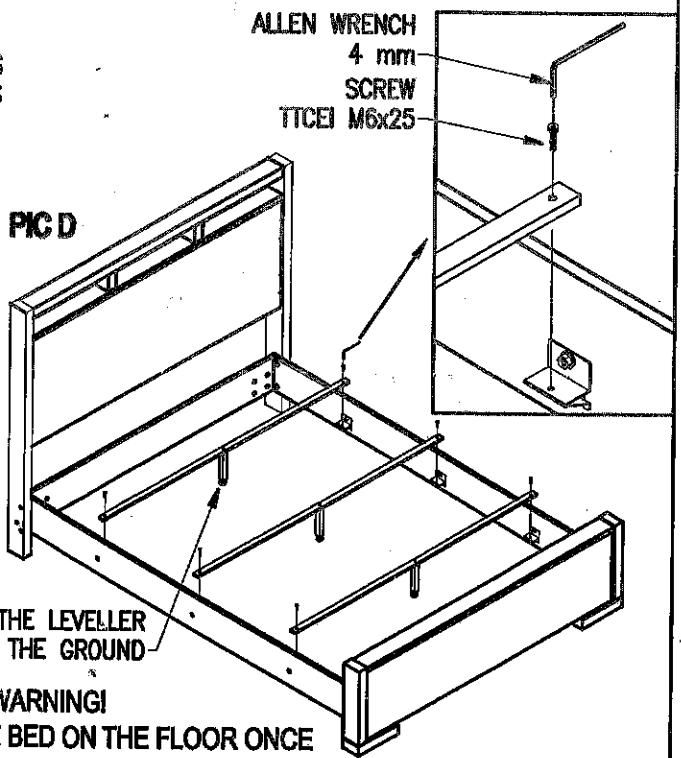
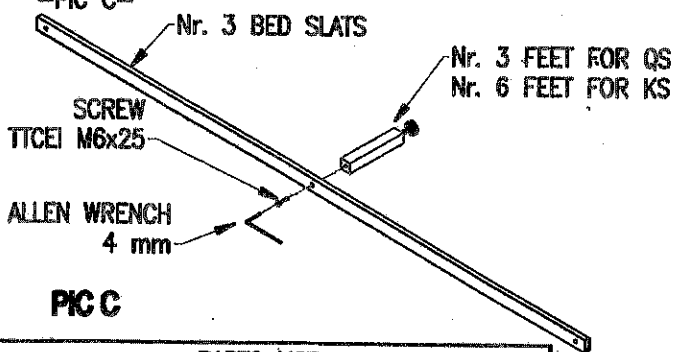


1) ALIGN SIDE RAILS TO HEADBOARD SIDE PANEL AND FIX BURNISHED CUP SQUARE NECK BOLTS M8x80 WHIT WASHERS AND NUT M8, (2) TWO PER EACH SIDE AS SHOWN IN -PIC A-

2) ALIGN FOOTBOARD TO SIDE RAILS AND ATTACH WITH (2) TWO BOLTS TSPCEI M8x45 PER SIDE AS SHOWN IN -PIC B-

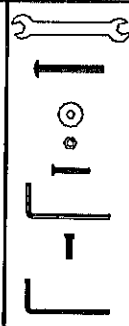
3) ATTACH FEET (1), ONE TO EACH BED SLAT FOR QS (2), TWO FOR KS AND TIGHTEN WITH ALLEN WRENCH 4 mm THE SCREW TTCEI M6x25 PROVIDED AS SHOWN IN -PIC C-

4) ATTACH BED SLAT WHIT SCREW TTCEI M6x25 AS SHOWN IN -PIC D-



PARTS LIST

- Nr. 1 WRENCH FOR NUT M8
- Nr. 4 BURNISHED CUP SQUARE NECK BOLTS M8x80
- Nr. 4 WASHERS
- Nr. 4 NUTS M8
- Nr. 4 BOLTS TSPCEI M8x45
- Nr. 1 ALLEN WRENCH 5 mm
- Nr. 9 SCREWS TTCEI M6x25 FOR QS
- Nr. 12 SCREWS TTCEI M6x25 FOR KS
- Nr. 1 ALLEN WRENCH 4 mm



ADJUST THE LEVELLER FOOT TO THE GROUND

WARNING!

DO NOT MOVE THE BED ON THE FLOOR ONCE ASSEMBLED, WITHOUT REMOVING THE BEDDING!

COD. DIS.: IMN0030A