

ASSEMBLY INSTRUCTIONS
ITEM NO: 61625
DOUBLE BOOKCASE-BEDFORD

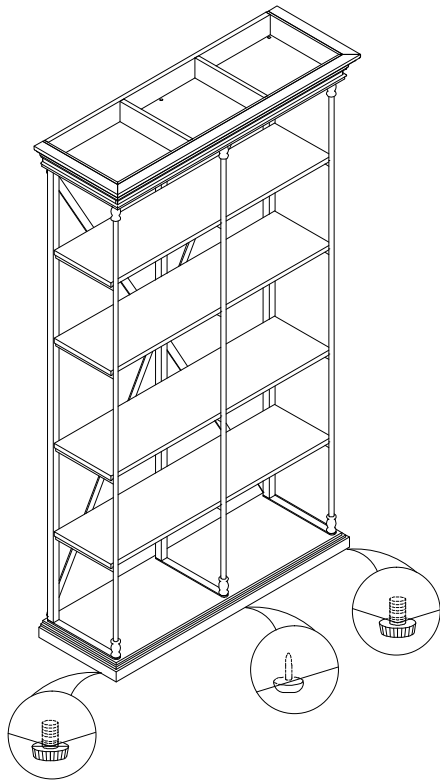
Thank you for purchasing this quality product. Be sure to check all packing material carefully for small parts that may have come loose inside the carton during shipment.

PARTS LIST:

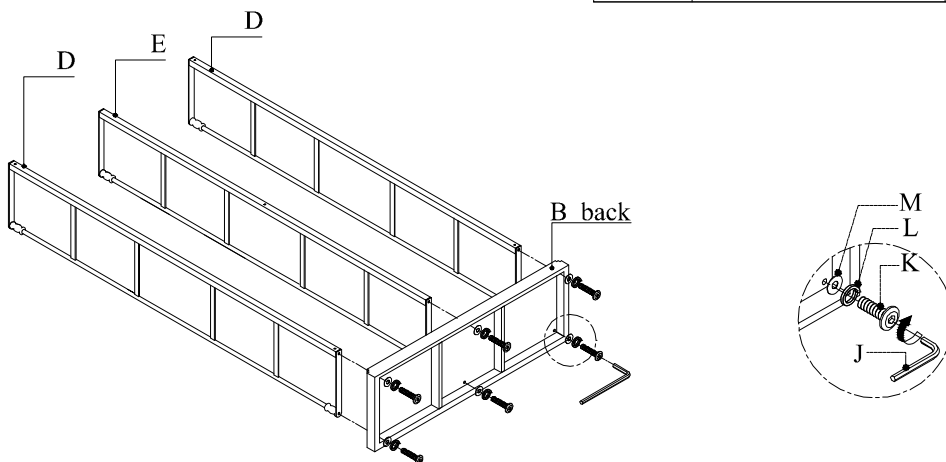
No.	Description	Sketch	Quantity
A	Top Crown		1PC
B	Bottom Base		1PC
C	Shelf		4PC
D	Side Frame		2PCS
E	Middle Frame		1PCS
F	Connecting Bar		2PCS

HARDWARE LIST:

No.	Description	Sketch	Quantity
G	Allen Key	Ø4	1PC
H	Bolt	M6*16	5PCS
I	Flat Washer	Ø(16-6)*1.0	4PCS
J	Allen Key	Ø5	1PC
K	Bolt	M8*30	12PCS
L	Lock Washer	M8	12PCS
M	Flat Washer	Ø(18-8)*1.5	12PCS
N	Straight Allen Key	Ø4	1PC
O	Straight Allen Key	Ø5	1PC
P	Furniture Tipping Restraint		2SETS



STEP 1

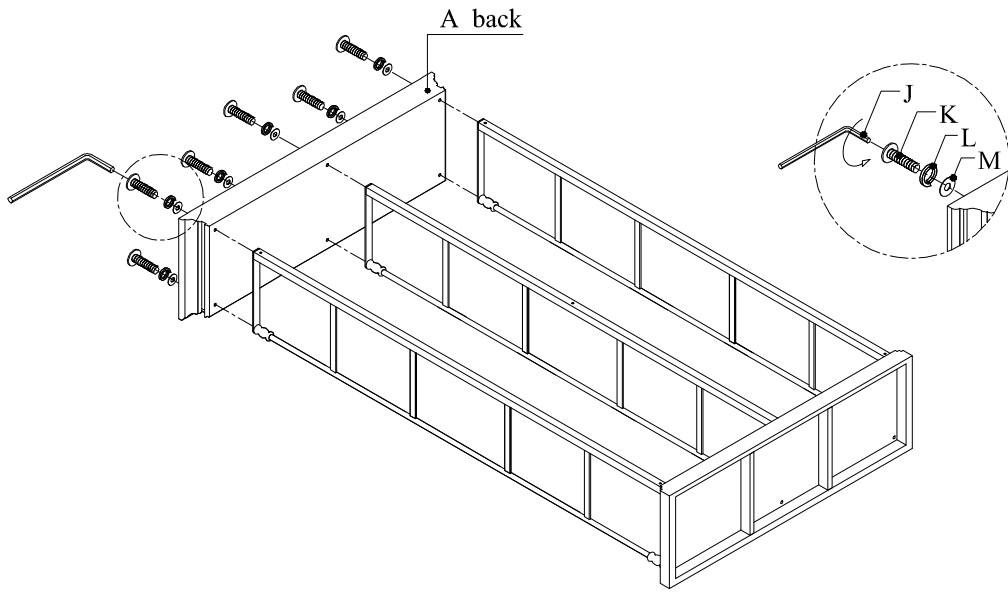


NOTE: 1. STRAIGHT ALLEN KEY (N) AND (O) ARE FOR USE WITH A POWER DRILL.
 2. THE FURNITURE TIPPING RESTRAINT IS STAPLED TO THE BACK OF THE UNIT.

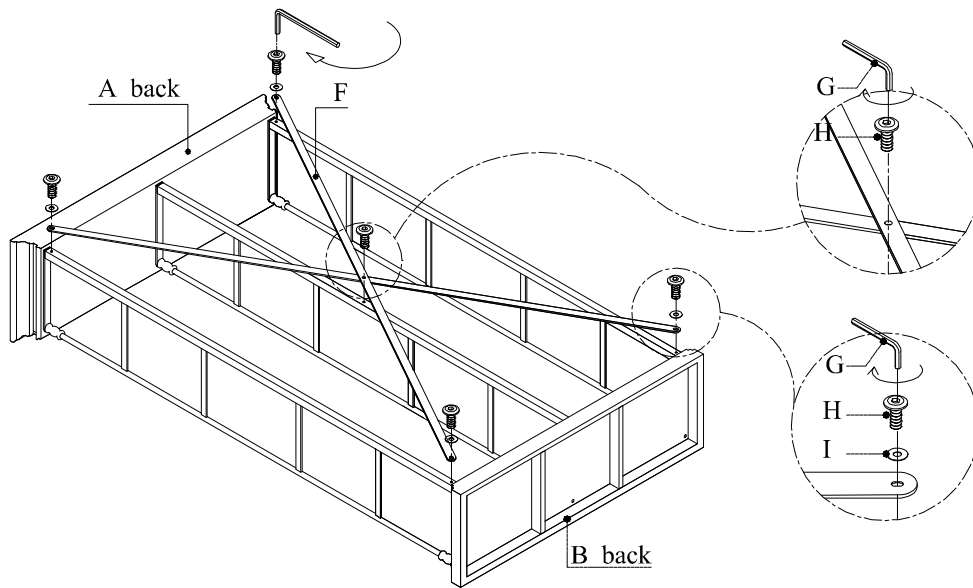
MADE IN CHINA

ASSEMBLY INSTRUCTIONS
ITEM NO: 61625
DOUBLE BOOKCASE-BEDFORD

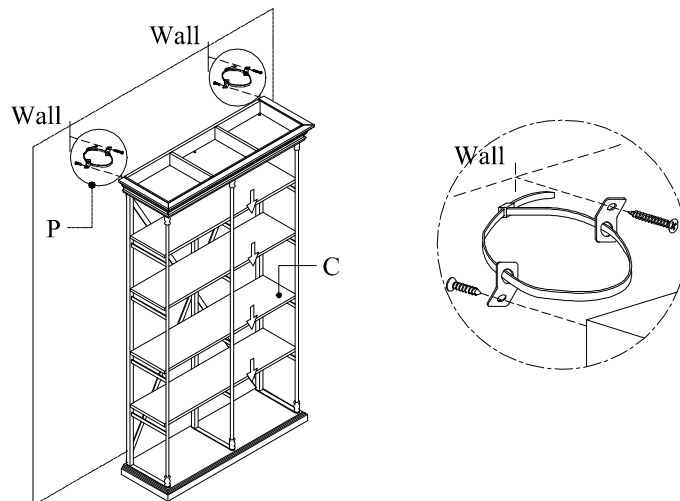
STEP 2



STEP 3



STEP 4



MADE IN CHINA