

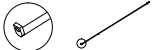


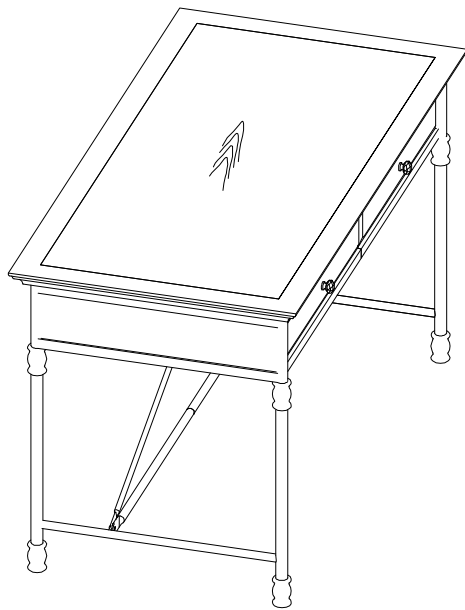


ASSEMBLY INSTRUCTIONS
ITEM NO: 61627
DESK-BEDFORD






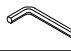




Thank you for purchasing this quality product. Be sure to check all packing material carefully for small parts that may have come loose inside the carton during shipment.

PARTS LIST:

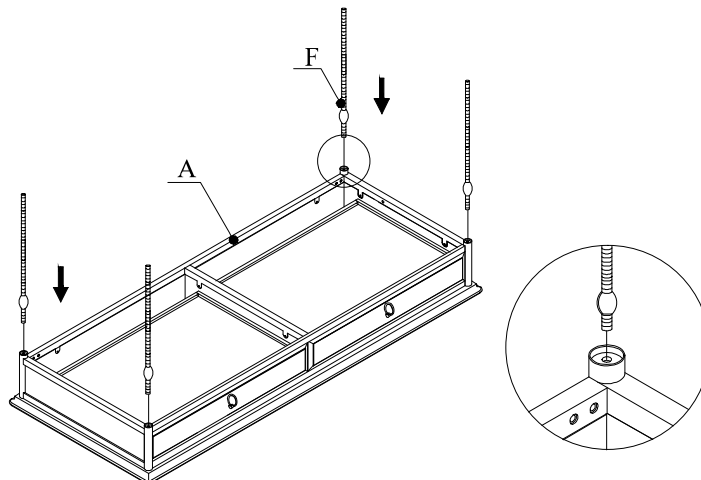
No.	Description	Sketch	Quantity
A	Top Frame		1PC
B	Bottom Connecting Bar		1PC
C	Cross Bar		2PCS
D	Left Leg Frame		1PC
E	Right Leg Frame		1PC



HARDWARE LIST:

No.	Description	Sketch	Quantity
F	Long Bolt	 M8*635	4PCS
G	Cap	 Ø28*5	4PCS
H	Tud Bolt	 M8	1PC
I	Nut	 M8	4PCS
J	Flat Washer	 Ø(18-8)*1.5	4PCS
K	Allen Key	 Ø4	1PC
L	Bolt	 M6*16	4PCS
M	Flat Washer	 Ø(16-6)*1.0	4PCS
N	Bolt Cap	 M6	2PCS
O	Straight Allen Key	 Ø4	1PC

STEP 1

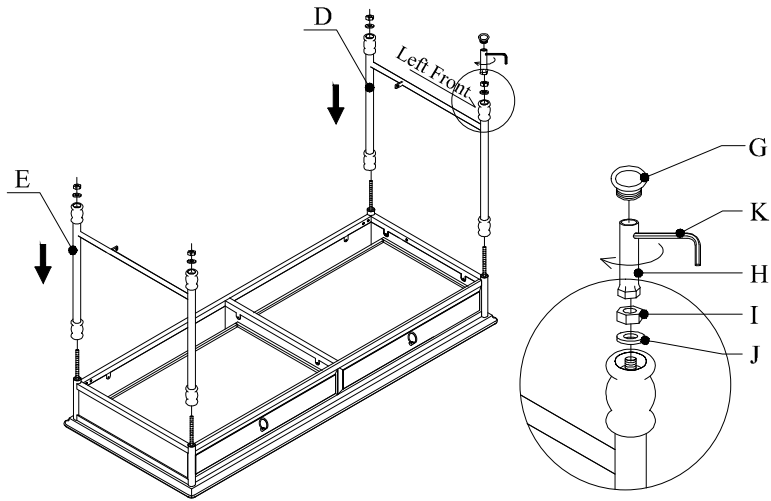


NOTE: STRAIGHT ALLEN KEY (O) IS FOR USE WITH A POWER DRILL.

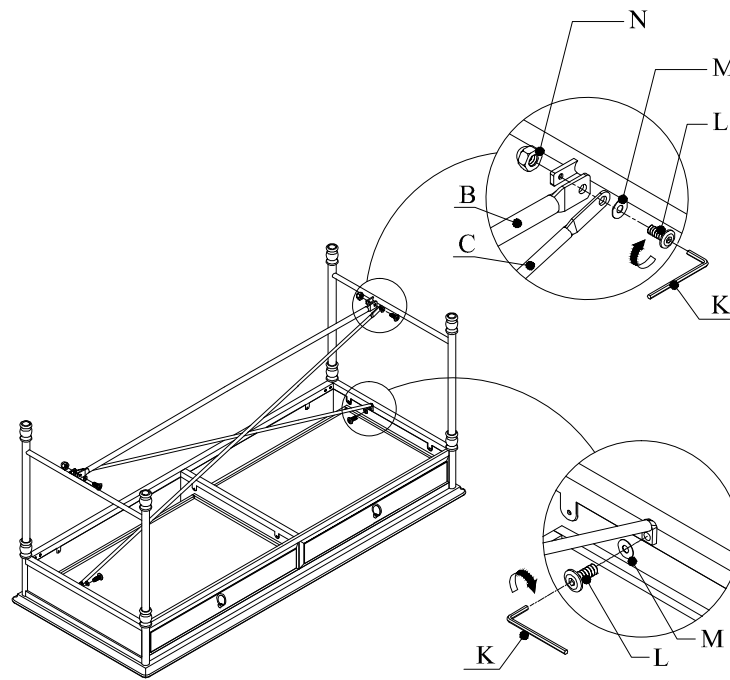
MADE IN CHINA

ASSEMBLY INSTRUCTIONS
ITEM NO: 61627
DESK-BEDFORD

STEP 2



STEP 3



MADE IN CHINA