

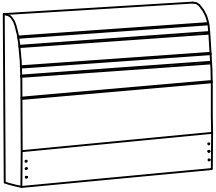
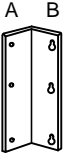









# Assembly Instruction

Thank you for purchasing this quality product. Be sure to check all packing material carefully. Hardware package is put in carton 1.

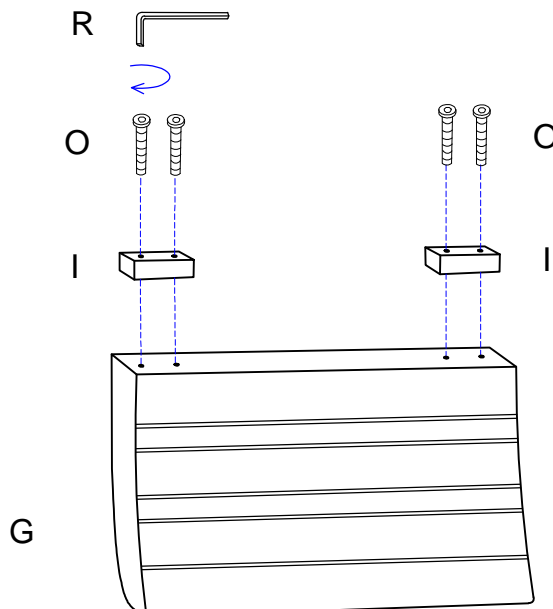
## Very important:

1. At the beginning fix the bolts by hand and then close them with the allen key or electric screwdriver
2. On the back side of headboard there is a zipper open it to find the hardware pack and slats

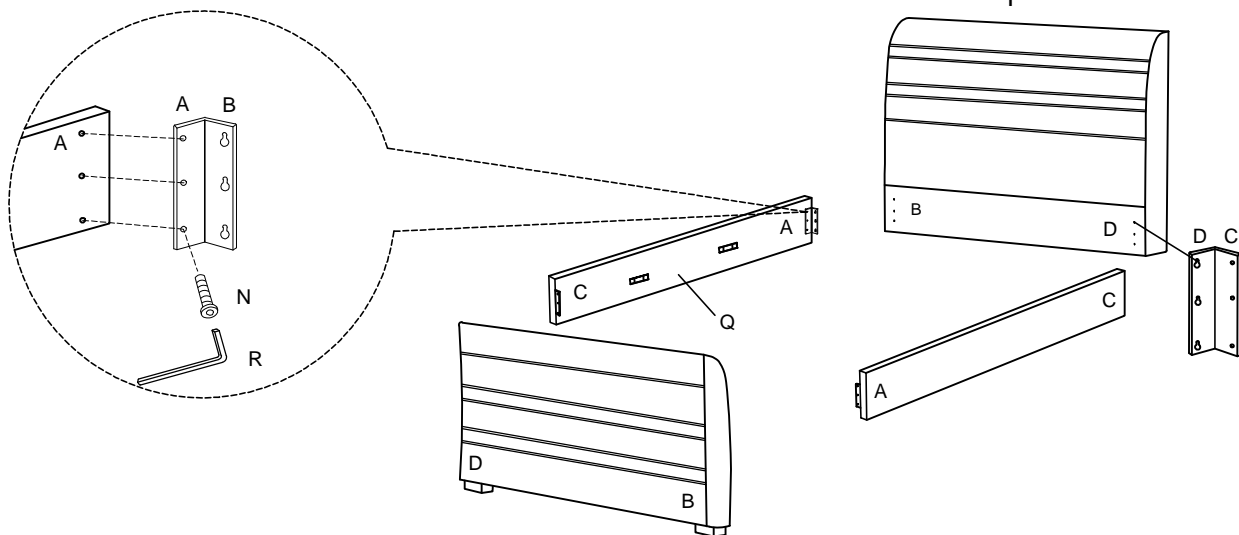
**Attention: Do not tighten any corner brackets until all are secured.**

Part#	Description	Q'TY	Hardware Package	Q'TY
Carton 1 :				
F	Headboard 	1	L Corner bracket 	2
G	Footboard 	1	M Corner bracket 	2
H	Wood slat 	2	N Bolt 40x6mm 	24
I	Leg 	2	O Bolt 55x6mm 	4
Carton 2 :			R Allen wrench 	1
Q	Rail 	2	S Allen wrench 	1

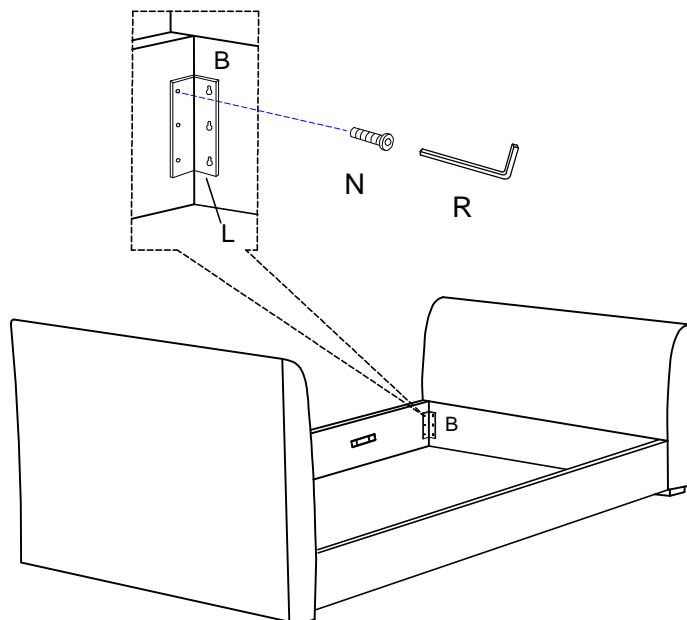
## Step 1



Step 2 Use bolt (N) and Allen Wrench (R) to attach corner bracket (L,M) to rail(Q). A to A, C to C.  
DON'T TIGHTEN



Step 3 Use bolt (N) to attach Headboard (F) and Footboard (G). B to B, D to D.  
Then you can tighten all corner brackets and bolts.



Step 4 Attach two wood slats (H) to left-side rail (Q) and right-side rail (Q).  
Then turning the foets under the slats to the level.  
Now it is completed.

