

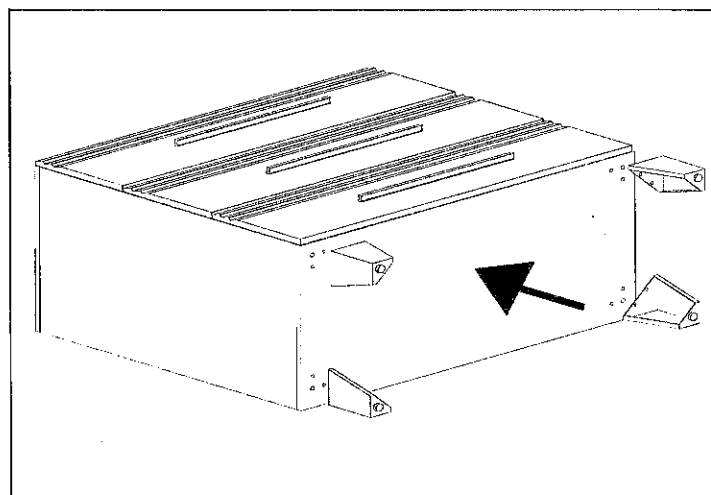
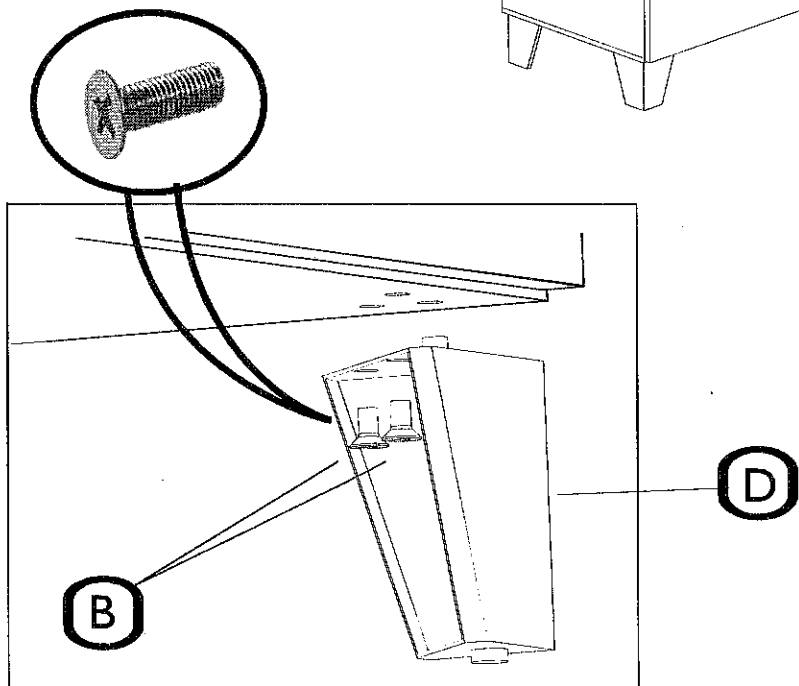
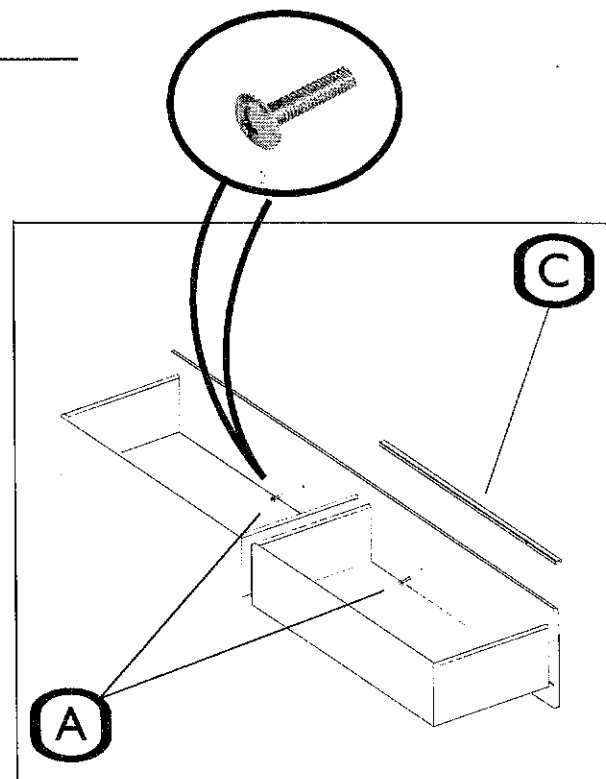
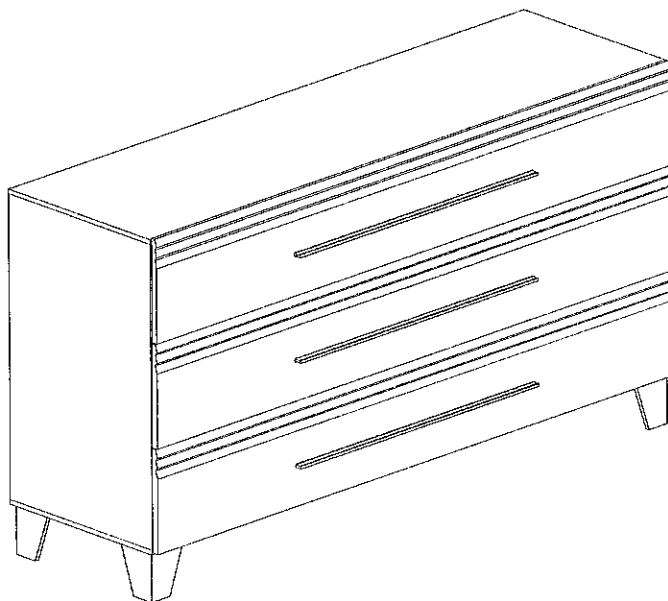
# DRESSER ASSEMBLY

A. Open the drawer and remove the hardware pack.  
 B. Open drawer and attach handle with 2 - 4x20 screws as shown in diagram 1. repeat for each drawer.  
 C. Using 2 - 8x15 screws attach each foot to underside of chest as shown in diagram 2 & 3.

A. Abra el cajón y extraiga el paquete de herramientas.  
 B. Abra el cajón y sujete la manija con los tornillos 2 - 4x20 como se muestra en el diagrama 1. Repita para cada cajón.  
 C. Usando 2 - 8x15 tornillos fije cada pie a la parte inferior del gavetero como se muestra en el diagrama 2 & 3.

## HARDWARE LIST:

| No. | Q.ty | Description     |
|-----|------|-----------------|
| A   | 6    | TBL Screws 4x20 |
| B   | 8    | TSP Screws 8x15 |
| C   | 3    | Handles         |
| D   | 4    | Feets           |



A. After attaching 3DC and 1DC together (see assembly sheet for 1DC chest) attach dressing mirror to back of 1DC using the two metal slats using 8 TSP M6x12 screws as shown in diagram.

Warning: Company assumes no responsibility for any injuries if the 1DC and mirror are not connected properly to the 3DC.

